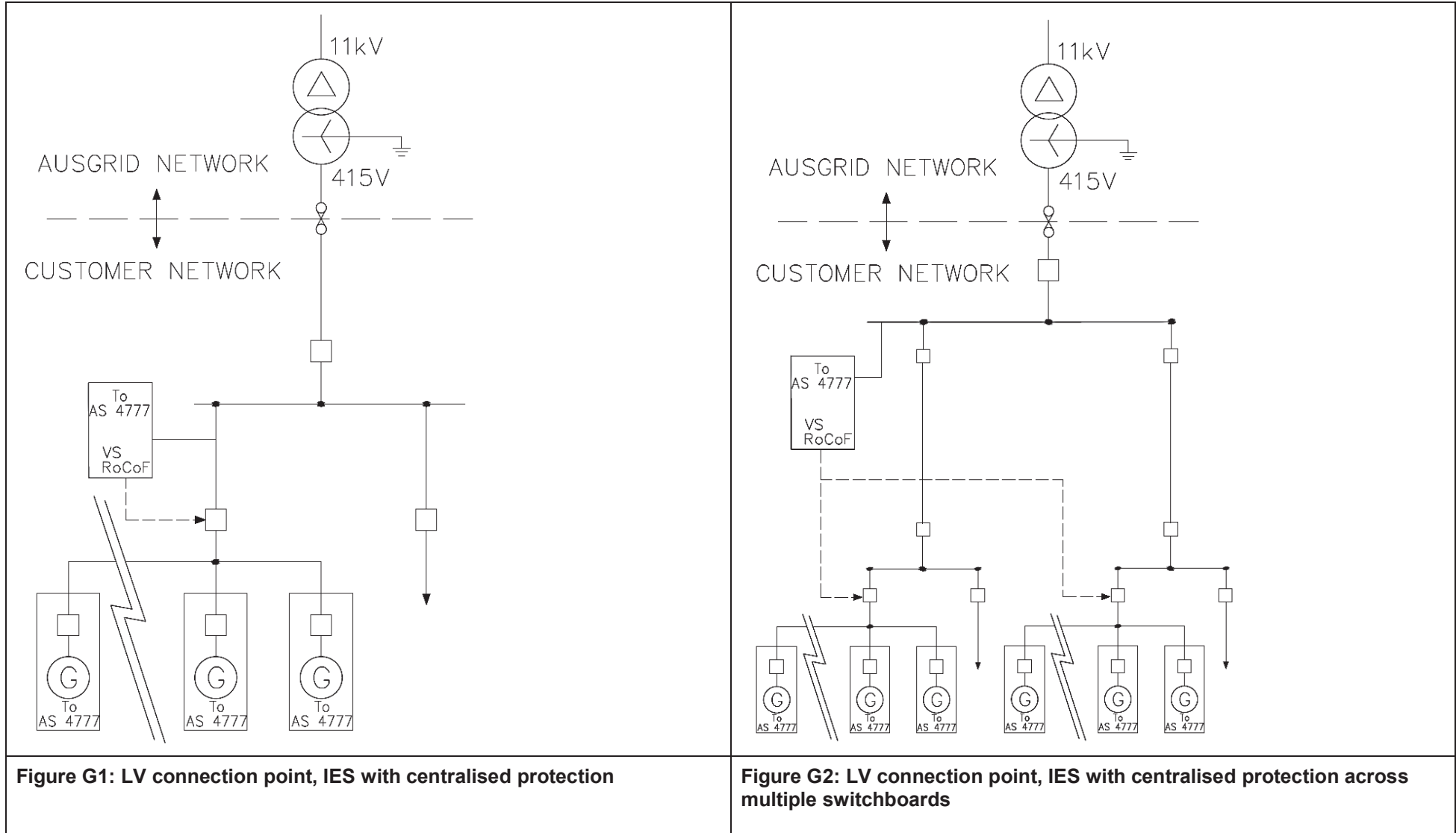


Annexure G: Examples Single Line Diagrams



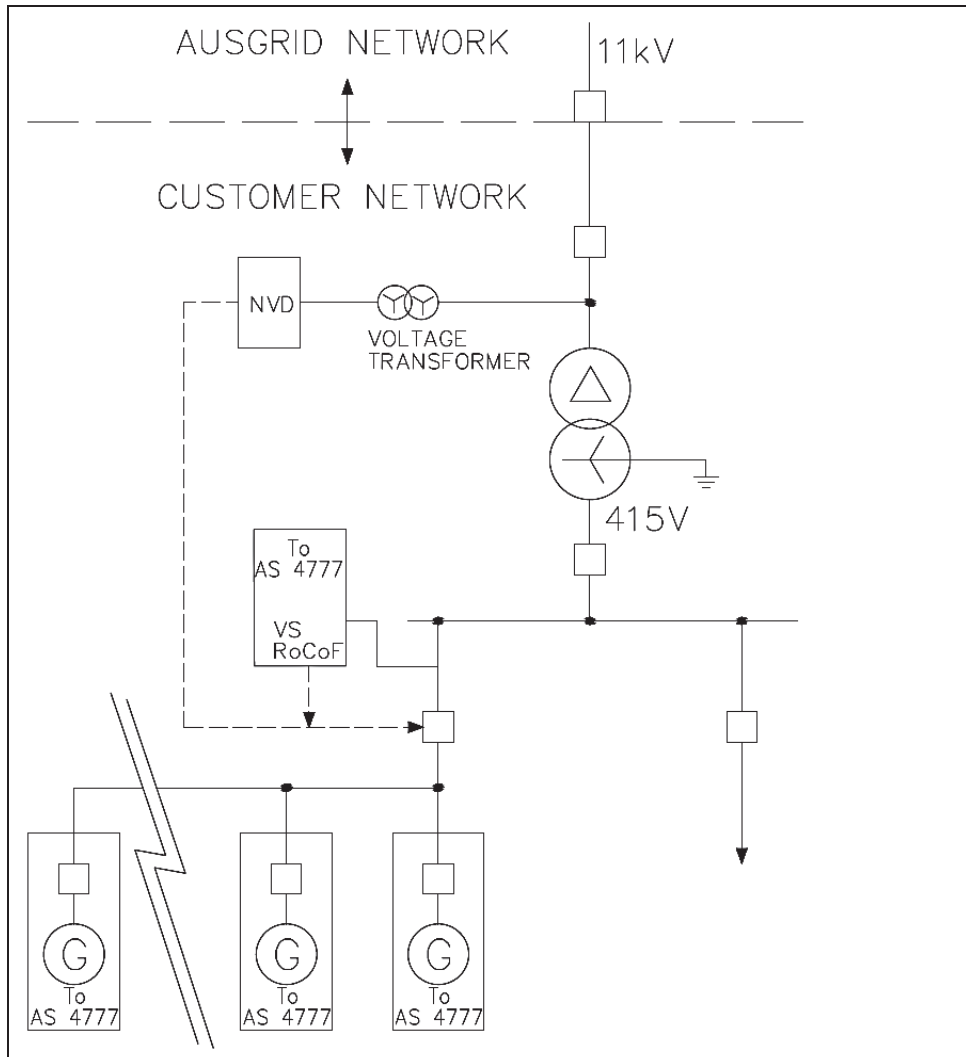


Figure G3: HV connection point, >200kVA IES with centralised protection

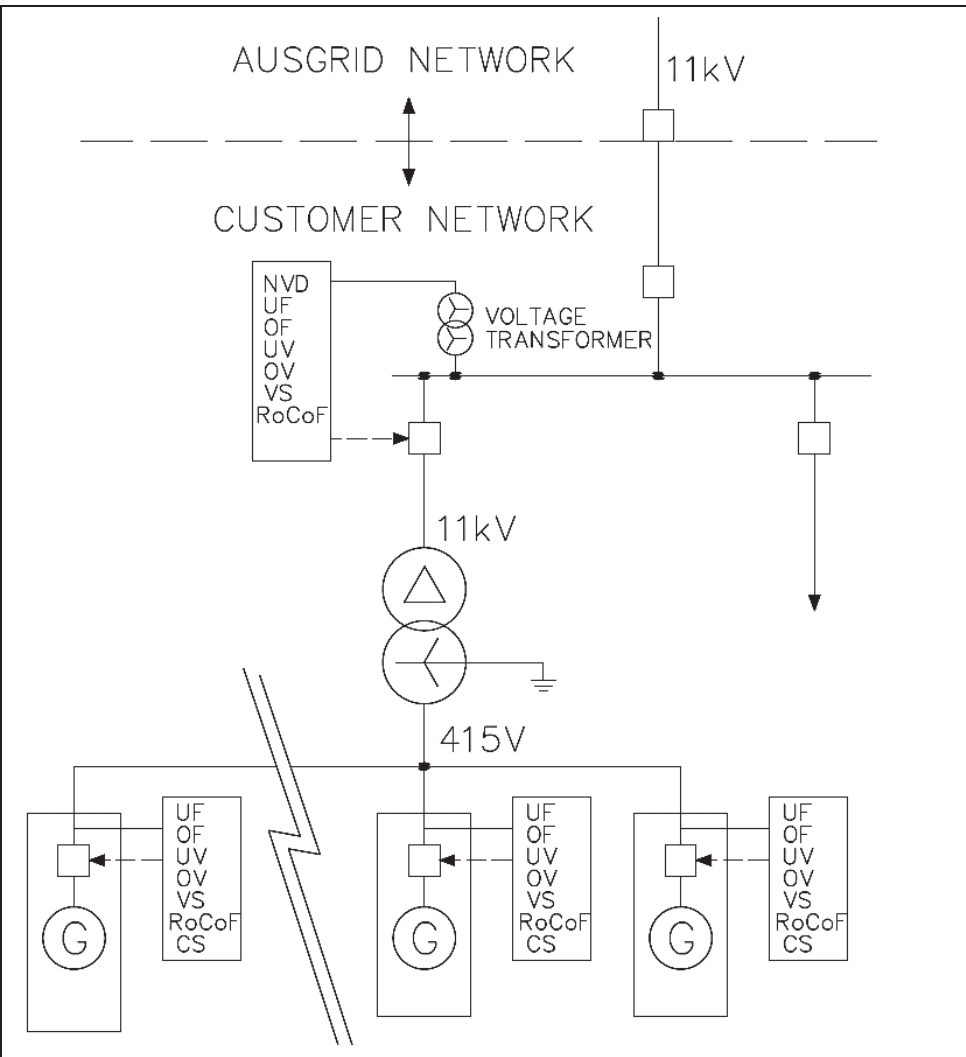


Figure G4: HV connection point, Export Rotating Machines

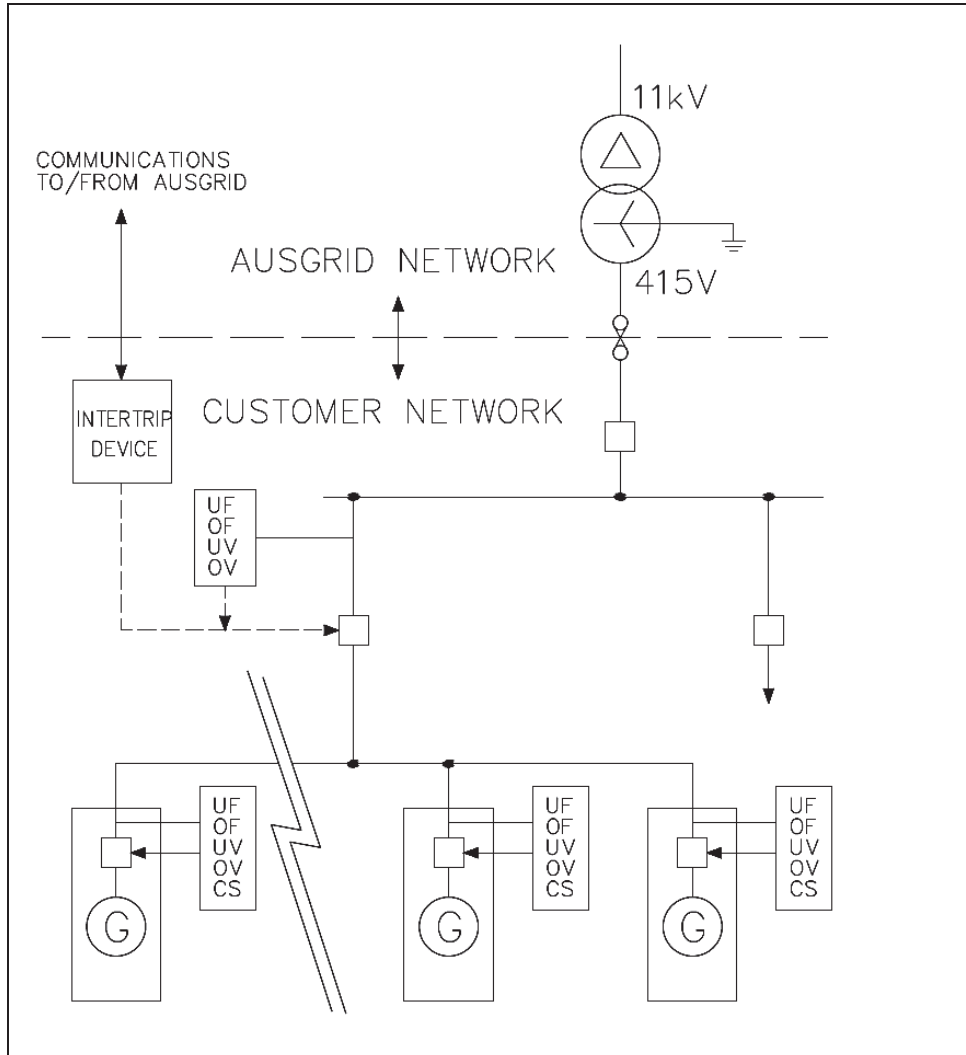


Figure G5: LV connection point, Export Rotating Machines with Inter-tripping

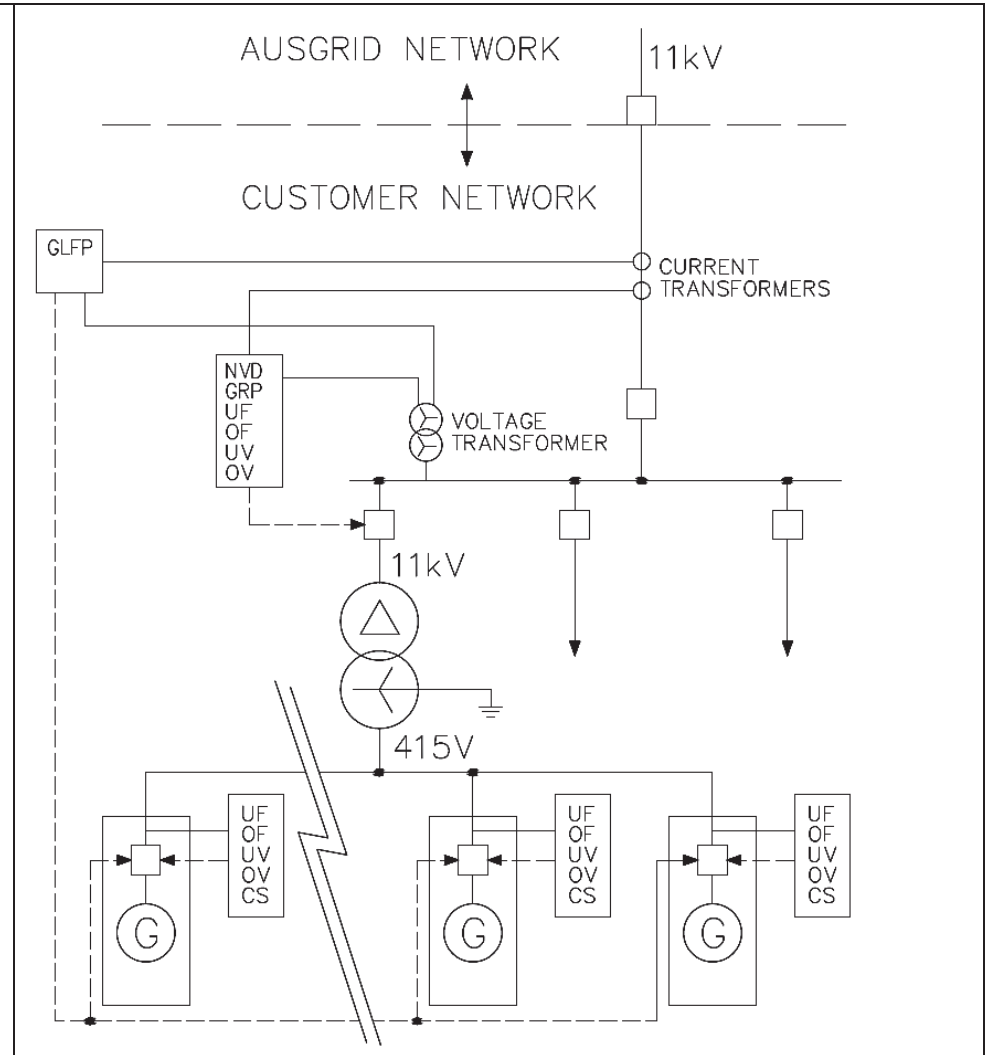


Figure G6: HV connection point, No-Export Rotating Machines

Annexure H: Multi-tenanted Site Examples

