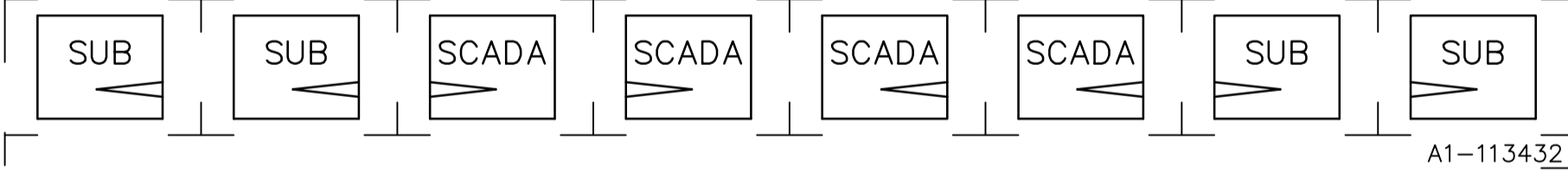
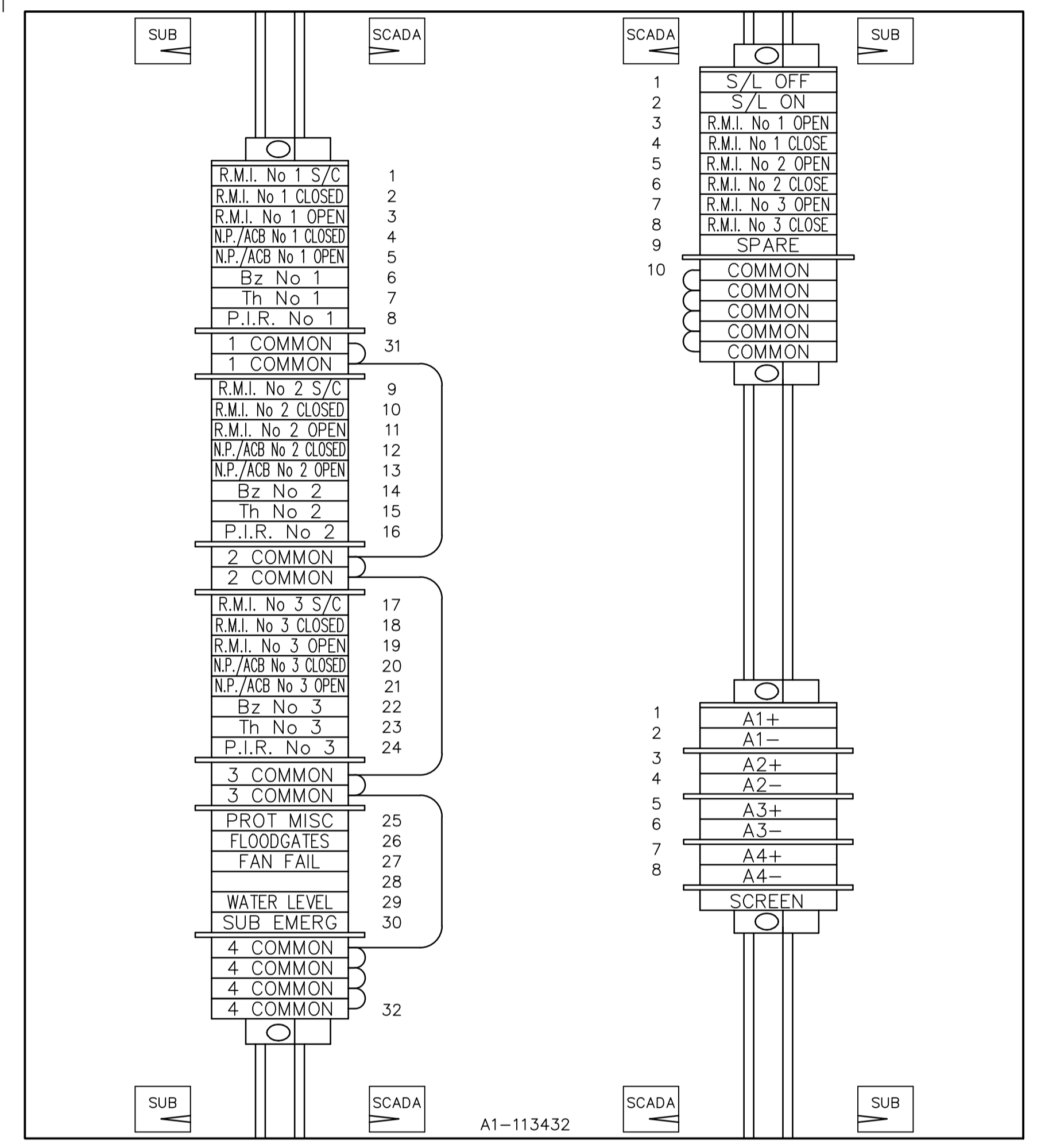


NOTES

- UNUSED CABLE CORES TO BE LEFT LONG ENOUGH TO REACH ANY TERMINAL, ROLLED UP AND ISOLATED.
- ANALOGUE CABLE SHIELD TO BE CUT BACK AND ISOLATED.
- NOT ALL CABLES WILL BE REQUIRED IN ALL SUBSTATIONS, ONLY INSTALL THOSE CABLES THAT ARE NEEDED.
- SPARE COMMON TO BE USED FOR BRIDGING UNUSED ALARM TERMINALS

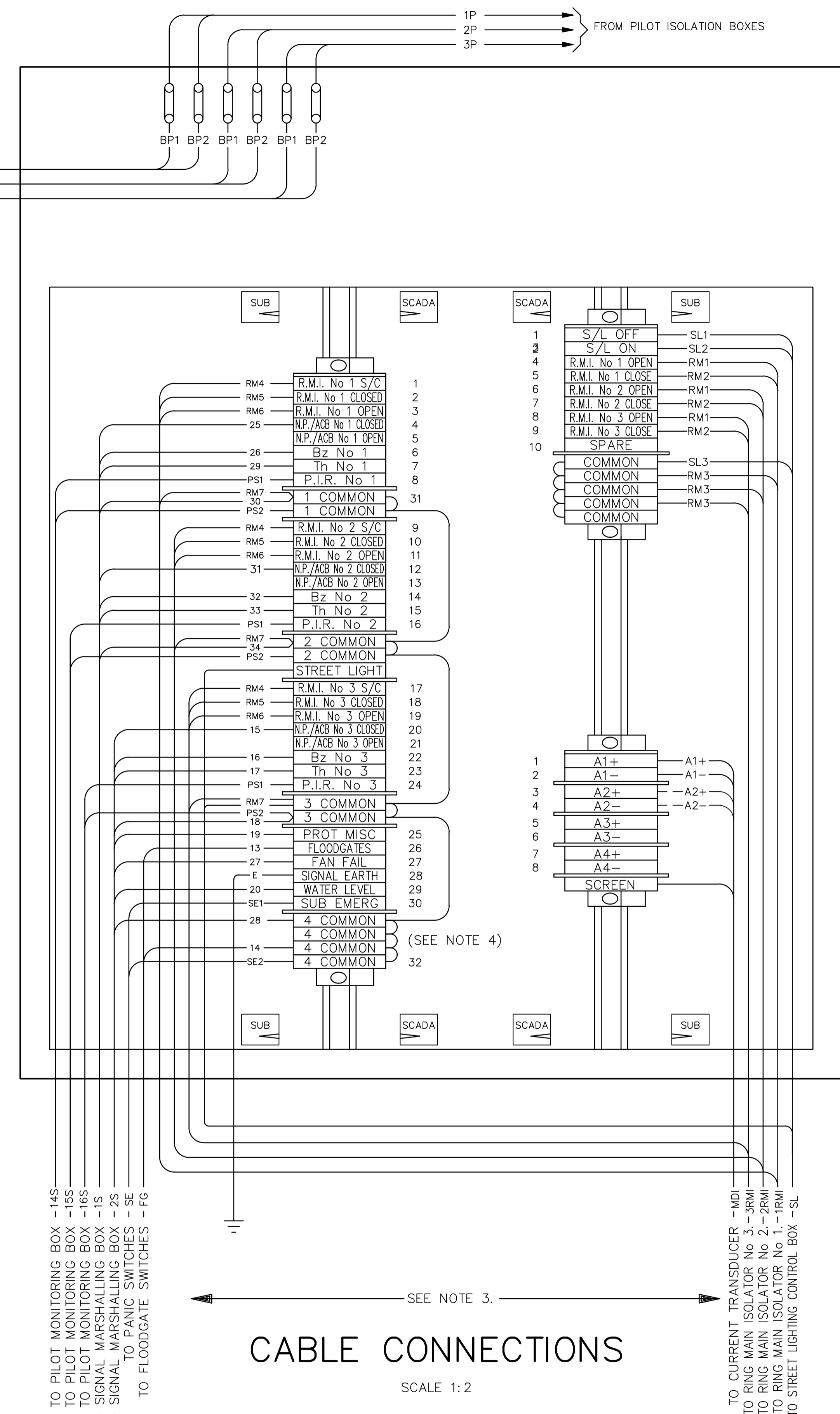
LARGE LABEL TO BE AFIXED TO INSIDE OF DOOR OF DISCONNECTION BOX



THESE EIGHT LABELS TO BE AFIXED TO PANEL INSIDE DISCONNECTION BOX  
PHOTOSENSITIVE SELF ADHESIVE LABEL - BLACK ON WHITE

LABEL DETAILS

SCALE FULL SIZE



CABLE CONNECTIONS

SCALE 1:2

SCADA CABLE TO RTU - CORES		TERMINAL IDENTIFICATION CODE	FUNCTION
No	COLOUR		
1	RED	R.M.I. No 1 S/C	R.M.I. FOR FEEDER No 1 SPRING CHARGED INDICATION
2	BLUE	R.M.I. No 1 CLOSED	R.M.I. FOR FEEDER No 1 CLOSED INDICATION
3	GREEN	R.M.I. No 1 OPEN	R.M.I. FOR FEEDER No 1 OPEN INDICATION
4	YELLOW	N.P./ACB No 1 CLOSED	NETWORK PROTECTOR/AIR CIRCUIT BREAKER No 1 CLOSED
5	WHITE	N.P./ACB No 1 OPEN	NETWORK PROTECTOR/AIR CIRCUIT BREAKER No 1 OPEN (FUTURE)
6	BLACK	Bz No 1	TRANSFORMER No 1 BUCHHOLZ SIGNAL
7	BROWN	Th No 1	TRANSFORMER No 1 THERMAL SIGNAL
8	VIOLET	P.I.R. No 1	FEEDER No 1 PILOT INTERLOCK RELAY SIGNAL
31	WHITE/BROWN	1 COMM	COMMON (2 TERMINALS) LOOPED TO 2 COMM.
9	ORANGE	R.M.I. No 2 S/C	R.M.I. FOR FEEDER No 2 SPRING CHARGED INDICATION
10	PINK	R.M.I. No 2 CLOSED	R.M.I. FOR FEEDER No 2 CLOSED INDICATION
11	TURQUOISE	R.M.I. No 2 OPEN	R.M.I. FOR FEEDER No 2 OPEN INDICATION
12	GREY	N.P./ACB No 2 CLOSED	NETWORK PROTECTOR/AIR CIRCUIT BREAKER No 2 CLOSED
13	RED/BLUE	N.P./ACB No 2 OPEN	NETWORK PROTECTOR/AIR CIRCUIT BREAKER No 2 OPEN (FUTURE)
14	RED/GREEN	Bz No 2	TRANSFORMER No 2 BUCHHOLZ SIGNAL
15	YELLOW/RED	Th No 2	TRANSFORMER No 2 THERMAL SIGNAL
16	WHITE/RED	P.I.R. No 2	FEEDER No 2 PILOT INTERLOCK RELAY SIGNAL
		2 COMM	COMMON (2 TERMINALS) LOOPED TO 3 COMM.
17	RED/BLACK	R.M.I. No 3 S/C	R.M.I. FOR FEEDER No 3 SPRING CHARGED INDICATION.
18	RED/BROWN	R.M.I. No 3 CLOSED	R.M.I. FOR FEEDER No 3 CLOSED INDICATION
19	YELLOW/BLUE	R.M.I. No 3 OPEN	R.M.I. FOR FEEDER No 3 OPEN INDICATION
20	WHITE/BLUE	N.P./ACB No 3 CLOSED	NETWORK PROTECTOR/AIR CIRCUIT BREAKER No 3 CLOSED
21	BLUE/BLACK	N.P./ACB No 3 OPEN	NETWORK PROTECTOR/AIR CIRCUIT BREAKER No 3 OPEN (FUTURE)
22	ORANGE/BLUE	Bz No 3	TRANSFORMER No 3 BUCHHOLZ SIGNAL
23	GREEN/BLUE	Th No 3	TRANSFORMER No 3 THERMAL SIGNAL
24	GREY/BLUE	P.I.R. No 3	FEEDER No 3 PILOT INTERLOCK RELAY SIGNAL
		3 COMM	COMMON (2 TERMINALS) LOOPED TO 4 COMM.
25	YELLOW/GREEN	PROT MISC	MISCELLANEOUS SIGNALS
26	WHITE/GREEN	FLOODGATES	FLOODGATES SIGNAL.
27	GREEN/BLACK	FAN FAIL	FAN FAILURE SIGNAL
28	ORANGE/GREEN	SPARE	SPARE
29	GREY/GREEN	WATER LEVEL	WATER LEVEL SIGNAL
30	YELLOW/BROWN	SUB EMERG	SUBSTATION EMERGENCY PANIC PUSH BUTTONS
32	BROWN/BLACK	4 COMM	COMMON (LOOPED 4 TERMINALS).
1	RED	S/L OFF	STREET LIGHTS OFF CONTROL
2	BLUE	S/L ON	STREET LIGHTS ON CONTROL
3	GREEN	R.M.I. No 1 OPEN	R.M.I. Tx No 1 OPEN CONTROL
4	YELLOW	R.M.I. No 1 CLOSED	R.M.I. Tx No 1 CLOSE CONTROL
5	WHITE	R.M.I. No 2 OPEN	R.M.I. Tx No 2 OPEN CONTROL
6	BLACK	R.M.I. No 2 CLOSED	R.M.I. Tx No 2 CLOSE CONTROL
7	BROWN	R.M.I. No 3 OPEN	R.M.I. Tx No 3 OPEN CONTROL
8	VIOLET	R.M.I. No 3 CLOSED	R.M.I. Tx No 3 CLOSE CONTROL
9	ORANGE	SPARE	SPARE
10	PINK	OV	0 VOLTS (LOOPED 5 TERMINALS).
1	BLACK	A1+	CURRENT FROM MDI +
2	RED	A1-	CURRENT FROM MDI -
3	BLACK	A2+	CURRENT FROM MDI + (2nd MDI IF FITTED)
4	WHITE	A2-	CURRENT FROM MDI - (2nd MDI IF FITTED)
5	BLACK	A3+	
6	GREEN	A3-	
7	BLACK	A4+	
8	BLUE	A4-	
		SCREEN	CABLE SCREEN

CAD DRAWING DO NOT MANUALLY AMEND

AMENDMENTS

12. ALTERATIONS MADE TO CABLE CONNECTIONS AND LABELS  
D.BENNETT 16-11-92  
Prod No. 83203/83204  
CHECKED P.I.E.  
APPROVED O.Z.

13. STREET LIGHTING & SUBSTATIONS LIGHT INDICATIONS DELETED.  
D.BENNETT 17-09-93  
D.BENNETT 83203/83204  
CHECKED P.I.E.  
APPROVED O.Z.

14. FLOODGATE SIGNAL MOVED TO TERMINAL 26  
NOTE 4. ADDED.  
D.BENNETT 24-1-94  
Prod No. 50204  
CHECKED P.I.E.  
APPROVED O.Z.

15. CONNECTIONS TO TERMINALS 17, 28 & 3 COMMON ADDED AS PER FIELD MARKUP.  
L.Bowker 13-02-96  
Prod No. 5004491  
CHECKED P.I.E.  
APPROVED O.Z.

16. NEW AUSGRID BORDER & LOGO ADDED.  
R.LAALAA 17/09/2013  
APPROVED T.LAMPARD

17. BORDER & TITLE BLOCK UPDATED  
M.BENNETT 24/10/2024  
CHECKED L.MARTINUZZI  
APPROVED M.BENNETT



SCALE	NTS
DESIGNED	-
DRAWN	VB
CHECKED	JP
APPROVED	JP
DATE	04/04/1953
TRIM REF	-
PROJECT NUMBER	-

CITY DISTRIBUTION CENTRES SIGNAL DISCONNECTION BOX LABEL & CONNECTIONS DETAILS			
DRAWING No	113432	SHEET	1
AMD	17	SIZE	A1
C&P - DISTRIBUTION SUBS			