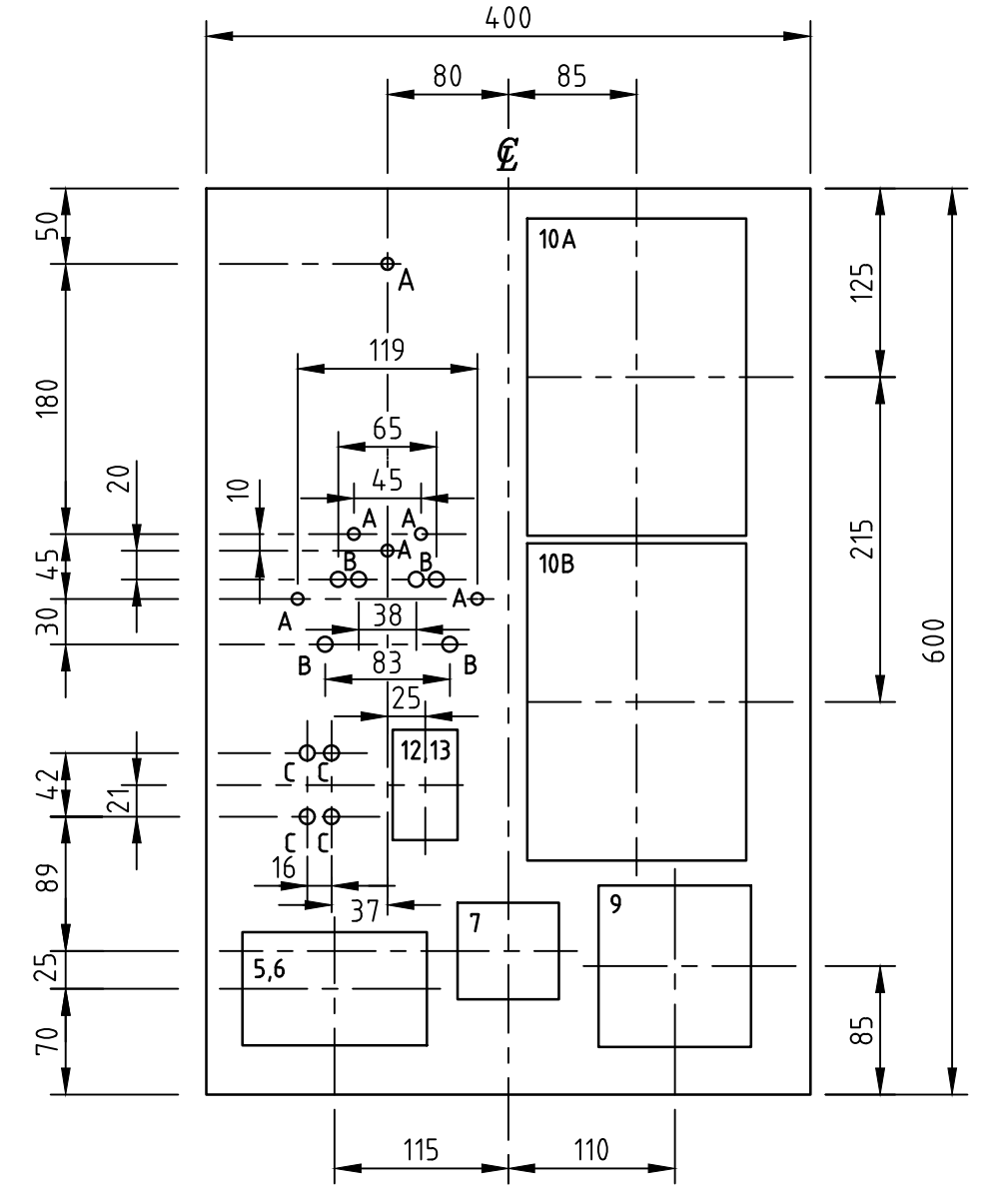
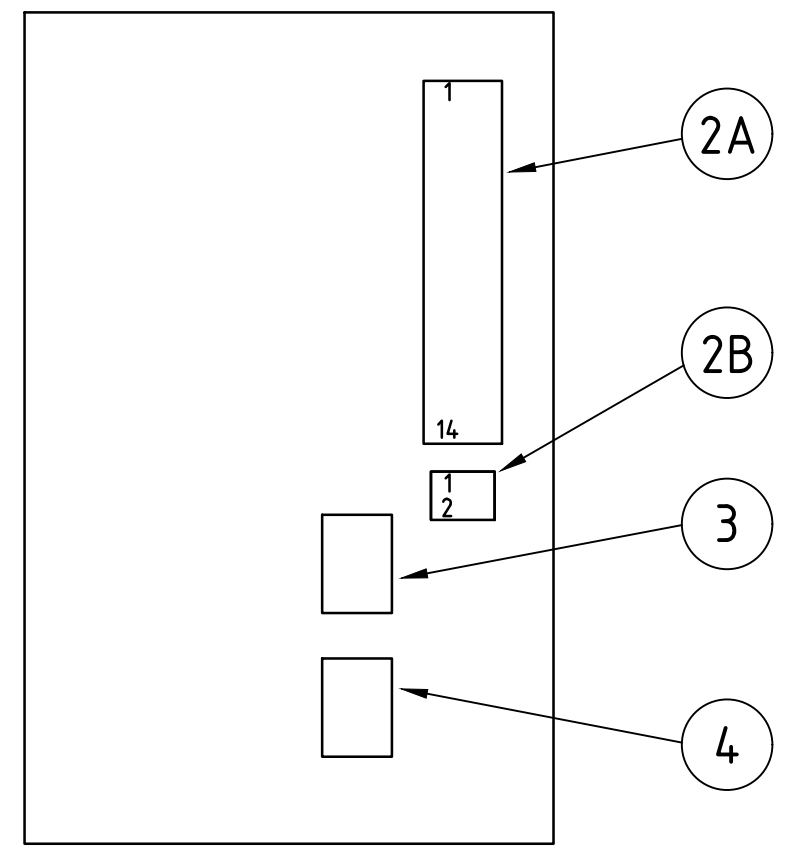


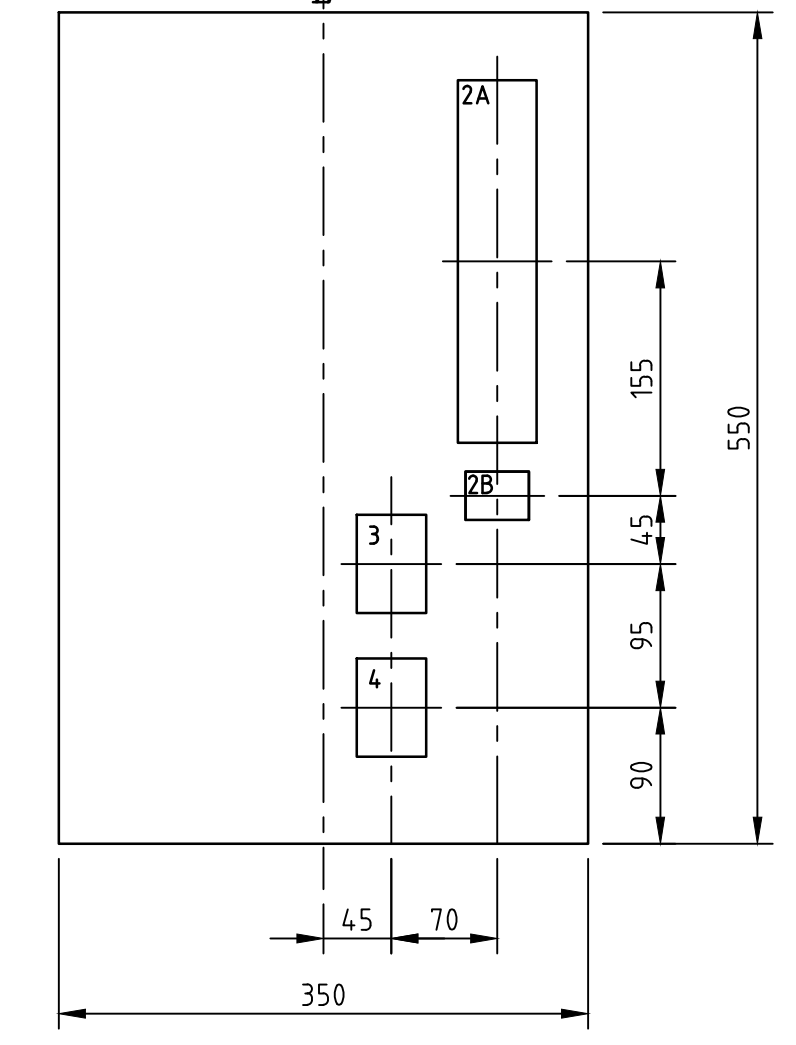
GENERAL ARRANGEMENT (SCALE 1:5)



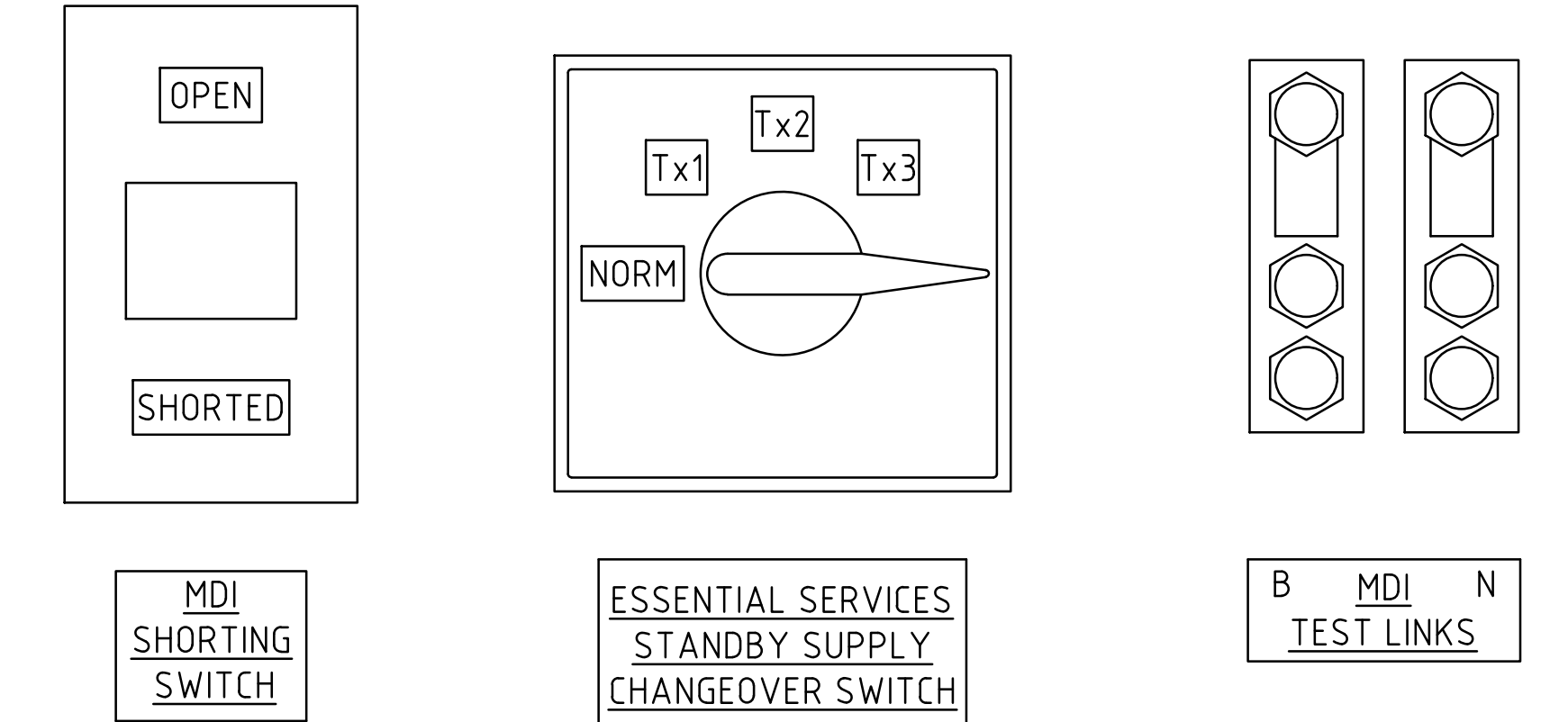
DRILLING DETAILS (SCALE 1:5) (SEE NOTES 4 & 5)



GENERAL ARRANGEMENT (SCALE 1:5)



DRILLING DETAILS (SCALE 1:5) (SEE NOTE 4)



DETAIL 1 MDI SHORTING SWITCH REFER NOTE 10 SCALE 1:1
 DETAIL 2 CHANGEOVER SWITCH REFER NOTE 10 SCALE 1:1
 DETAIL 3 MDI TEST LINKS REFER NOTE 10 SCALE 1:1

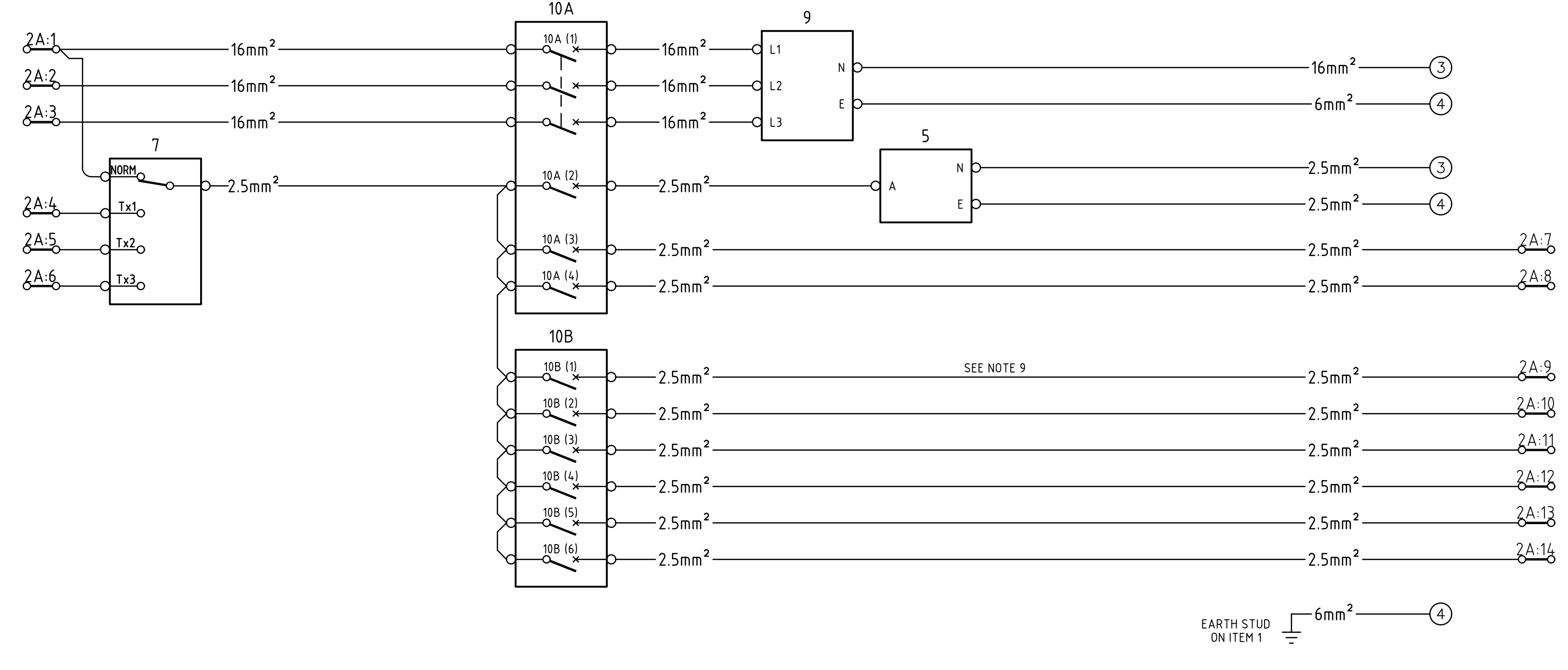
- NOTES**
- THIS SERVICE BOARD IS DESIGNED FOR SUBURBAN SUBSTATIONS WITH 1500kVA TRANSFORMERS.
 - ALL MATERIALS SHOWN CAN BE SUBSTITUTED AS LONG AS THE SUBSTITUTE COMPONENT PROVIDES SIMILAR OR BETTER PERFORMANCE THAN THE ONE SHOWN. DETAILS PROVING THE PERFORMANCE OF OTHER PRODUCTS MUST BE SUBMITTED FOR ACCEPTANCE, IN ACCORDANCE WITH THE REQUIREMENTS OF NETWORK STANDARD NS181, BEFORE USE.
 - THIS DRAWING IS TO BE READ IN CONJUNCTION WITH RELEVANT NETWORK STANDARDS.
 - DRILLING DETAILS FOR THE M.D.I. UNIT AND MOULDED LINKS ONLY ARE SHOWN. FOR ALL OTHER COMPONENTS REFER TO THE MANUFACTURE FOR DETAILS.
 - DRILLING DETAILS, DIAMETER OF HOLES.
 A - 8mm
 B - 10mm
 C - 10mm
 D - 12.5mm
 - COMPRESSION TYPE CABLE LUGS ARE TO BE USED FOR CABLE TERMINATIONS ONTO ITEMS 2A, 2B AND 11.
 - THE EARTH AND NEUTRAL LINK CONNECTIONS DESIGNATED BY ③ & ④ MUST BE INDIVIDUALLY CONNECTED AS SEPARATE CABLES TO THEIR RESPECTIVE LINK.
 - ITEM 10A IS ALWAYS REQUIRED BUT 10B IS ONLY REQUIRED IF ANY OF THE FOLLOWING ARE PRESENT:
 - AN ADDITIONAL LIGHTING CIRCUIT IS NEEDED
 - DRY TYPE TRANSFORMERS ARE INSTALLED
 - IF A CONTROL POINT IS PRESENT
 - CABLE TO BE OF ADEQUATE SIZE TO PREVENT VOLTAGE DROP, REFER TO AS 3000 FOR CABLE SIZE.
 - DETAILS 1, 2 & 3 SHOW WORDING AND POSITION OF SELF ADHESIVE LABELS. LABELS ARE TO BE BLACK LETTERING ON WHITE BACKGROUND.
 - NUMBERS SHOWN XX ARE CABLE NUMBERS REFER TO DWG A0-178231.

DOOR (FRONT VIEW)

INTERIOR PANEL (FRONT VIEW)

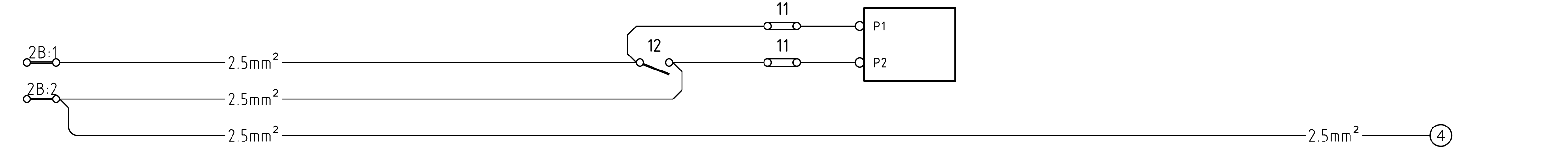
TERMINALS (2A)	4 STEP SWITCH (7)	CABLE SIZE	SWITCHBOARD (10)	CABLE SIZE	3φ 5 PIN SOCKET (9)	DOUBLE GPO (5)	CABLE SIZE	NEUTRAL LINK (3) EARTH LINK (4)	TERMINALS (2A)
----------------	-------------------	------------	------------------	------------	---------------------	----------------	------------	------------------------------------	----------------

(SEE NOTE 7)

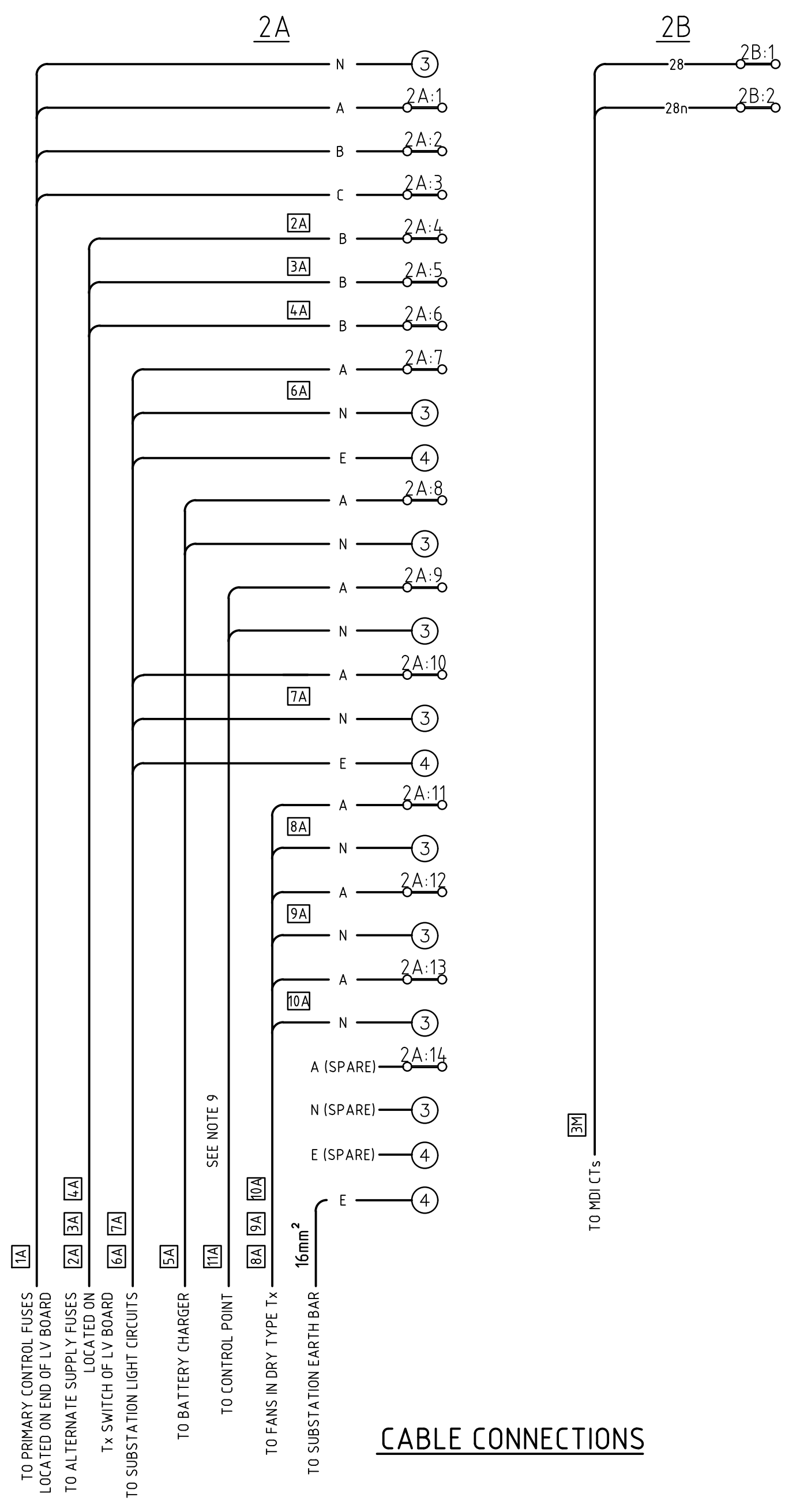


TERMINALS (2B)	CABLE SIZE	10A SWITCH (12)	M6 LINK (11)	M.D.I. UNIT (8)	CABLE SIZE	EARTH LINK (4)
----------------	------------	-----------------	--------------	-----------------	------------	----------------

(SEE NOTE 7)



WIRING DIAGRAM



CABLE CONNECTIONS

13	MOUNTING BLOCK	HPM TYPE 141	1
12	10A SINGLE POLE SWITCH	HPM TYPE A770/1	1
11	M5 MOULDED LINK	AUSGRID STOCK CODE H28494	2
10B (6)	20A 1φ 8kA MINIATURE C/B (Tx3 FAN)	CLIPSAL TYPE 4CB120	1
10B (5)	20A 1φ 8kA MINIATURE C/B (Tx2 FAN)	CLIPSAL TYPE 4CB120	1
10B (4)	20A 1φ 8kA MINIATURE C/B (Tx1 FAN)	CLIPSAL TYPE 4CB120	1
10B (3)	20A 1φ 8kA MINIATURE C/B (SPARE)	CLIPSAL TYPE 4CB120	1
10B (2)	16A 1φ 8kA MINIATURE C/B (SPARE LIGHTS)	CLIPSAL TYPE 4CB116	1
10B (1)	20A 1φ 8kA MINIATURE C/B (CONTROL POINT)	CLIPSAL TYPE 4CB120	1
10B	6 MODULE SWITCHBOARD (REFER NOTE 8)	CLIPSAL TYPE 4C6FD	1
10A (4)	20A 1φ 8kA MINIATURE C/B (BATTERY CHARGER)	CLIPSAL TYPE 4CB120	1
10A (3)	16A 1φ 8kA MINIATURE C/B (LIGHTS)	CLIPSAL TYPE 4CB116	1
10A (2)	20A 1φ 8kA MINIATURE C/B (1φ POWER)	CLIPSAL TYPE 4CB120	1
10A (1)	50A 3φ 8kA MINIATURE C/B (3φ POWER)	CLIPSAL TYPE 4CB350	1
10A	6 MODULE SWITCHBOARD (REFER NOTE 8)	CLIPSAL TYPE 4C6FD	1
9	50A 3 PHASE, 5 PIN SOCKET	CLIPSAL CAT No. 56S0550	1
8	M.D.I. UNIT	LOGISTICS SERVICES STOCK CODE 169920	1
7B	TERMINAL COVERS	KRAUS & NAIMER TYPE S1 M160/B03	1
7A	ADJUSTABLE SHAFT	KRAUS & NAIMER TYPE S1 M004E/000B070	1
7	4 STEP CHANGEOVER SWITCH	KRAUS & NAIMER TYPE C32 A231 603 E	1
6	MOUNTING BLOCK	HPM TYPE 140	1
5	10A DOUBLE GPO	HPM TYPE 777	1
4	EARTH LINK	CLIPSAL TYPE L8	1
3	NEUTRAL LINK	CLIPSAL TYPE L12	1
2B	TERMINAL STRIP 2 (2B-1-2)	UTILUX H3820 30A	2
2A	TERMINAL STRIP 1 (2A-1-14)	KLIPPON ST5 85A	1
1	WALL MOUNTED BOX	EMPCO W6425	1

MATERIAL LIST (SEE NOTE 2)

<p>CAD DRAWING DO NOT MANUALLY AMEND</p> <p>AMENDMENTS</p> <p>1. REDRAWN ON NEW BORDER. REFERENCE DRAWINGS ADDED. BATTERY CHARGER CB ADDED. NEW MOUNTING HOLES FOR FREESTANDING SERVICE PANEL ADDED. IWR 28/05/2009 APPROVED: PMJ PN 99-110-2-7</p> <p>2. TITLE REVISED. CIRCUIT BREAKER NOS REVISED. NOTES REVISED. DIMENSIONS CLARIFIED. MATERIALS LIST REVISED. IWR 19/12/2003 CHECKED: PMJ APPROVED: PMJ PN 03/591/7/3</p> <p>3. REF C2: S OIA GALLARD. TERMINALS HAVE BEEN REPLACED WITH A CLIPSAL 50A, 3φ 5 PIN ITEM 11B ADDED. GENERAL ARRANGEMENT & DRILLING DETAILS ALTERED TO SUIT A 400x600 WALL MOUNTED BOX. DIMENSIONS CLARIFIED. CONNECTIONS DRAWING ADDED. DP/AM 16/01/07 CHECKED: PMJ APPROVED: PMJ PN 03/591/7/2</p> <p>4. NEUTRAL LINK TO EARTH LINK CONNECTION DELETED. BOX EARTH STUD CONNECTION DESIGNATED. NEUTRAL CONNECTION MOVED FROM 2A TERMINAL STRIP TO NEUTRAL LINK. CONNECTIONS TO NEUTRAL & EARTH LINKS ADDED TO CABLE CONNECTIONS. ALL CONNECTIONS TO 2A TERMINALS. ITEMS 2A & 2B NO OFF ADJUSTED. X ON WIRING & CABLE CONNECTIONS. INCREASED NEUTRAL & EARTH LINKS. CABLE CONNECTIONS CLARIFIED AND CABLE NUMBERS ADDED. WIRING DIAGRAM CORRECTED ON DRILLING DIMENSIONS CLARIFIED. ITEM 1 CORRECTED. PMJ 26/9/07 CHECKED: IWR APPROVED: MT PN 28/6/9/2</p> <p>5. NEW AUSGRID BORDER & LOGO ADDED. RLAALAA 24-09-2013 APPROVED: T.LAYPARD</p> <p>6. BORDER & TITLE BLOCK UPDATED. L.MARTINUZZI 17-09-2018 CHECKED: M.BENNETT APPROVED: M.BENNETT</p> <p>7. BORDER & TITLE BLOCK UPDATED. MD LINKS WERE M6. M.BENNETT 20/09/2014 CHECKED: L.MARTINUZZI APPROVED: M.BENNETT</p>	<p>SCALE AS SHOWN</p> <p>DESIGNED -</p> <p>DRAWN MWR</p> <p>CHECKED AJE</p> <p>APPROVED BJL</p> <p>DATE 24/10/1995</p> <p>TRIM REF -</p>	<p>Ausgrid</p> <p>24 Campbell Street SYDNEY NSW 2000 P. 9272 3805</p>		<p>SUBURBAN TYPE SUBSTATIONS WITH 1500kVA TRANSFORMERS SERVICE BOARD GENERAL ARRANGEMENT & WIRING DIAGRAM</p>	
	<p>ISSUED FOR CONSTRUCTION</p> <p>PROJECT NUMBER 5004639</p> <p>DRAWING No 121949</p> <p>SHEET 1</p> <p>AMD 7</p> <p>SIZE B1</p>	<p>C&P - DISTRIBUTION SUBS</p>			