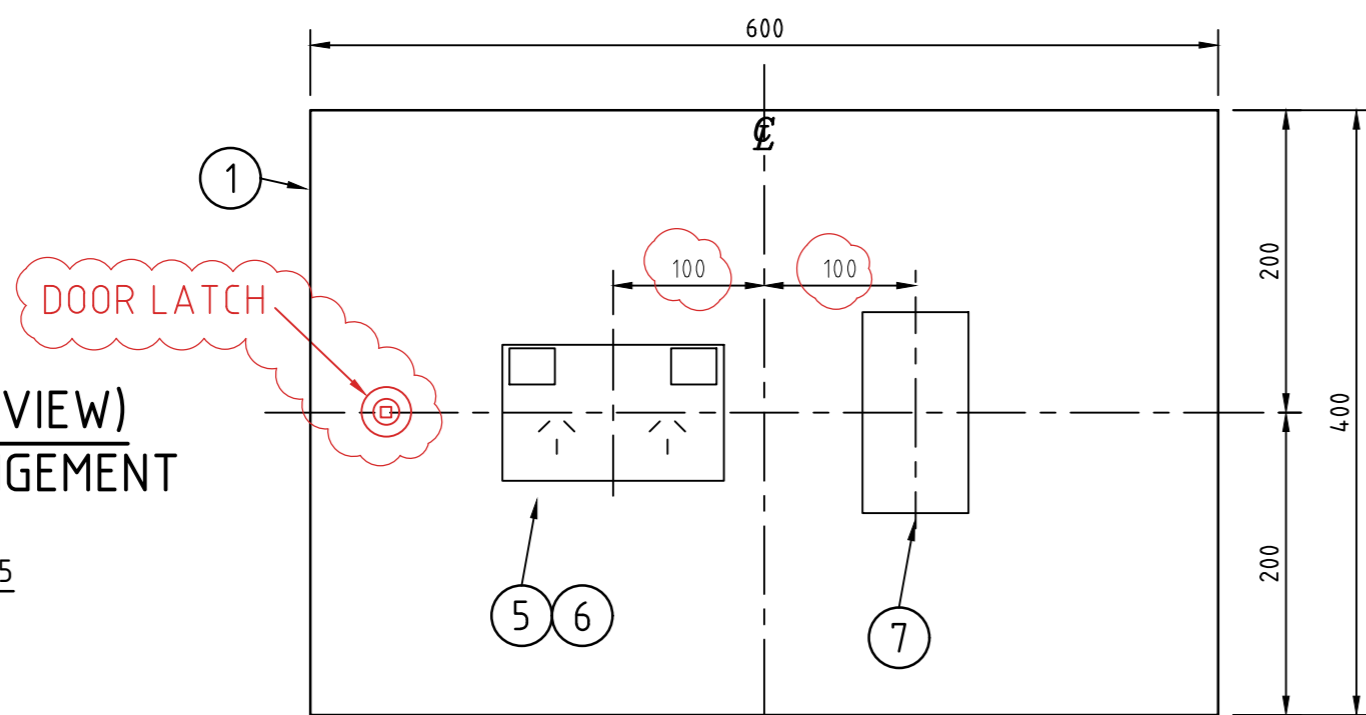


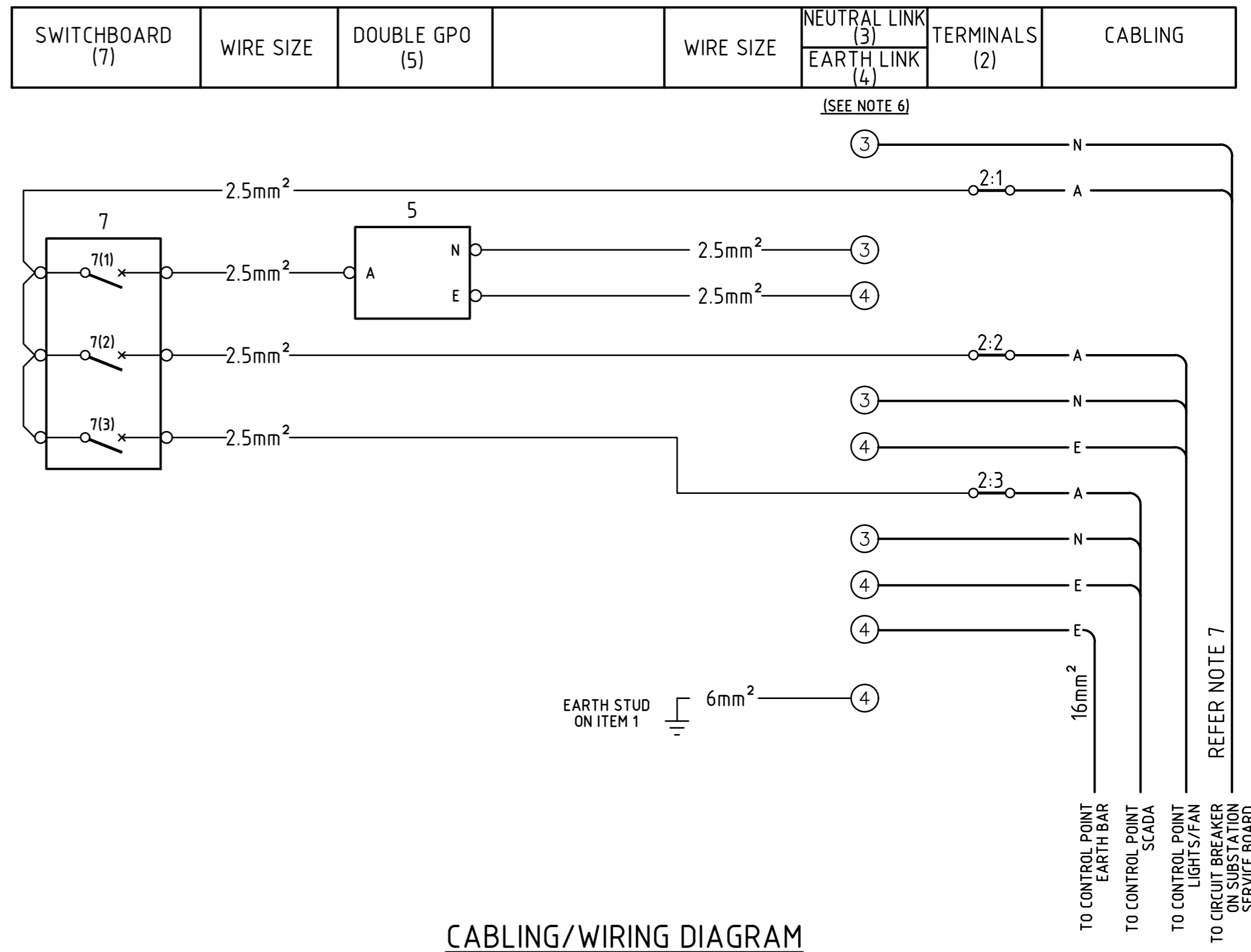
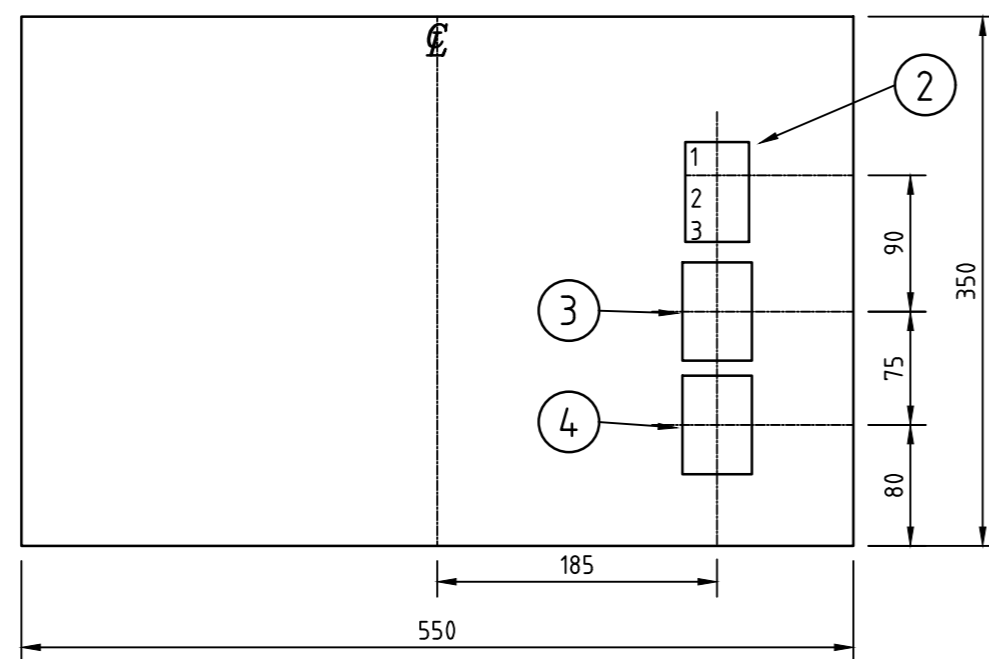
**DOOR (FRONT VIEW)  
GENERAL ARRANGEMENT**

SCALE 1:5  
SEE NOTE 4 & 5



**INTERIOR PANEL (FRONT VIEW)  
GENERAL ARRANGEMENT**

SCALE 1:5  
SEE NOTE 4 & 5



**CABLING/WIRING DIAGRAM**

**NOTES:**

- THIS SERVICE BOARD IS DESIGNED FOR CONTROL POINTS. REFER TO NETWORK STANDARD NS-113.
- WHERE LISTED MATERIALS ARE UNAVAILABLE, DETAILS PROVING THE PERFORMANCE OF SUBSTITUTED MATERIALS MUST BE SUBMITTED FOR ACCEPTANCE, IN ACCORDANCE WITH THE REQUIREMENTS OF NETWORK STANDARD NS-181. AUSGRID APPROVAL MUST BE CONFIRMED PRIOR TO USE. SUBSTITUTED MATERIALS MUST PROVIDE SIMILAR OR BETTER PERFORMANCE THAN ANY LISTED COMPONENT.
- THIS DRAWING IS TO BE READ IN CONJUNCTION WITH RELEVANT NETWORK STANDARDS.
- DRILLING DETAILS FOR ALL COMPONENTS REFER TO THE MANUFACTURE FOR DETAILS.
- COMPRESSION TYPE CABLE LUGS ARE TO BE USED FOR CABLE TERMINATIONS ONTO ITEM 2.
- THE EARTH & NEUTRAL LINK CONNECTIONS DESIGNATED BY ③ & ④ ARE TO BE INDIVIDUALLY CONNECTED TO THEIR LINK.
- CABLE TO BE OF ADEQUATE SIZE TO PREVENT VOLTAGE DROP, REFER TO AS 3000 FOR CABLE SIZE.

8. VENTILATION FAN MOTOR, MUST HAVE INTERNAL THERMAL PROTECTION. VENTILATION FAN MOTOR IS POWERED FROM THE CONTROL POINT LIGHTING CIRCUIT & CONTROLLED BY THE ASSOCIATED LIGHT SWITCH.

ITEM No.	DESCRIPTION	REMARKS	No. OFF
7(3)	16A 1ϕ 15kA MINIATURE C/B (SCADA)	SCHNEIDER A9F54.116	1
7(2)	16A 1ϕ 15kA MINIATURE C/B (LIGHTS/FAN)	SCHNEIDER A9F54.116	1
7(1)	20A 1ϕ 15kA MINIATURE C/B (GPO)	SCHNEIDER A9F54.120	1
7	3 MODULE SWITCHBOARD	CLIPSAL TYPE 4CC3	1
6	GPO MOUNTING BLOCK	HPM TYPE 140	1
5	10A DOUBLE GPO	HPM TYPE 777	1
4	EARTH LINK	CLIPSAL TYPE L5	1
3	NEUTRAL LINK	CLIPSAL TYPE L5	1
2	TERMINAL STRIP (2:1 TO :3)	WEIDMULLER ST5	3
1	WALL MOUNTED BOX (400h x 600w)	B&R N104.062	1

**MATERIAL LIST** (REFER NOTE 2)

AMENDMENTS						
AMD	DATE	DESCRIPTION	DRAWN BY	DESIGNED BY	CHECKED BY	APPROVED BY
2	24/09/2013	NEW BORDER ADDED	R.LAALAA	R.LAALAA	T.LAMPARD	T.LAMPARD
3	09/06/2020	CB3 ADDED	M.BENNETT	M.BENNETT	L.MARTINUZZI	M.BENNETT
4	06/03/2025	UPDATED MATERIALS LIST FOR SUPERCEDED COMPONENTS, ADDED NOTE 8. AMENDED LAYOUT DIMENSION SPACING & ADDED DOOR LATCH DETAIL.	L.M.	L.M.	M.B.	M.B.



SCALE	AS SHOWN
DESIGNED	-
DRAWN	J.HAYDEN
CHECKED	P.JARVIS
APPROVED	P.JARVIS
DATE	10/04/2007
TRIM REF	-

**CITY CONTROL POINT  
SERVICE BOARD  
GENERAL ARRANGEMENT AND  
WIRING DIAGRAM**

ISSUED FOR CONSTRUCTION	PROJECT NUMBER	103/59/1/2	SIZE	A2	DRAWING No	169393	SHEET	1	AMD	4
-------------------------	----------------	------------	------	----	------------	--------	-------	---	-----	---