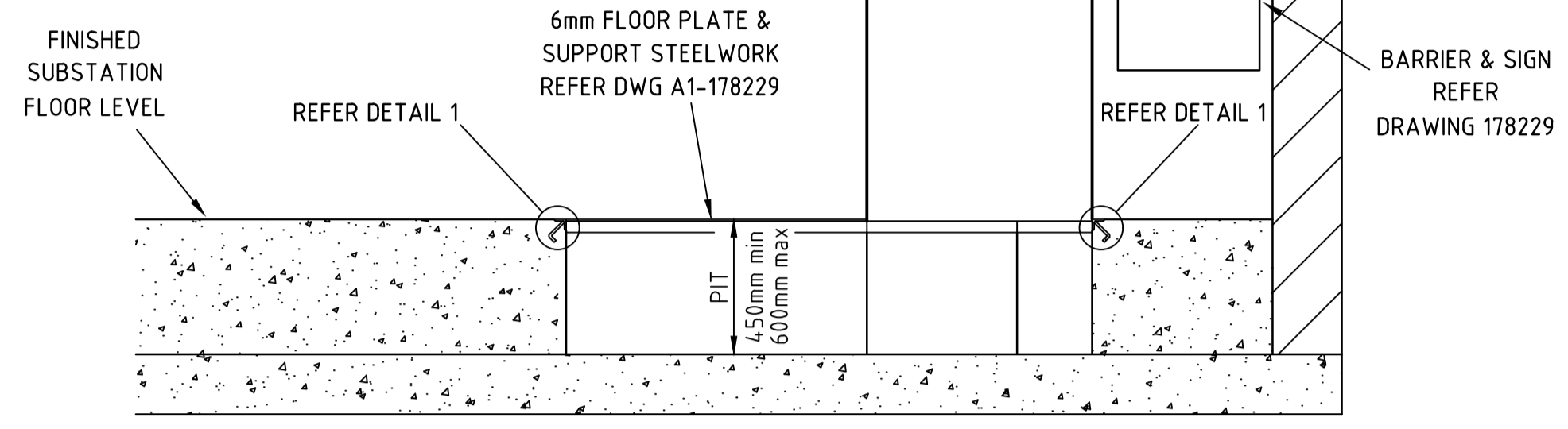
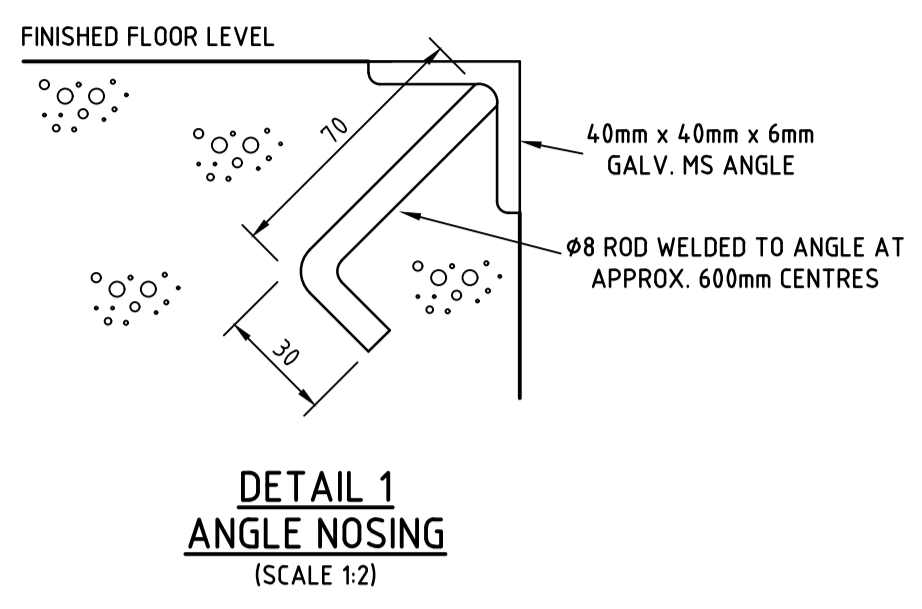


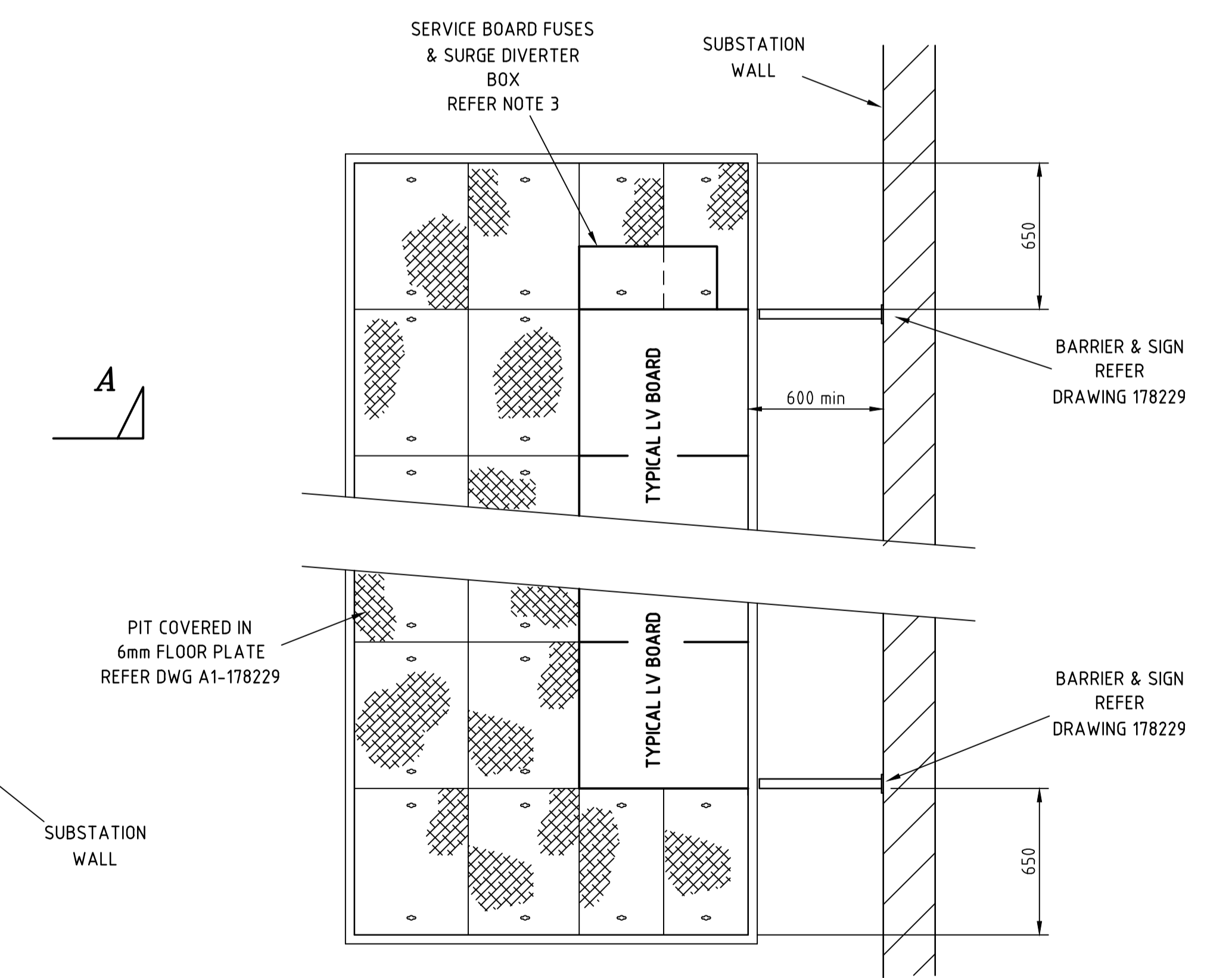
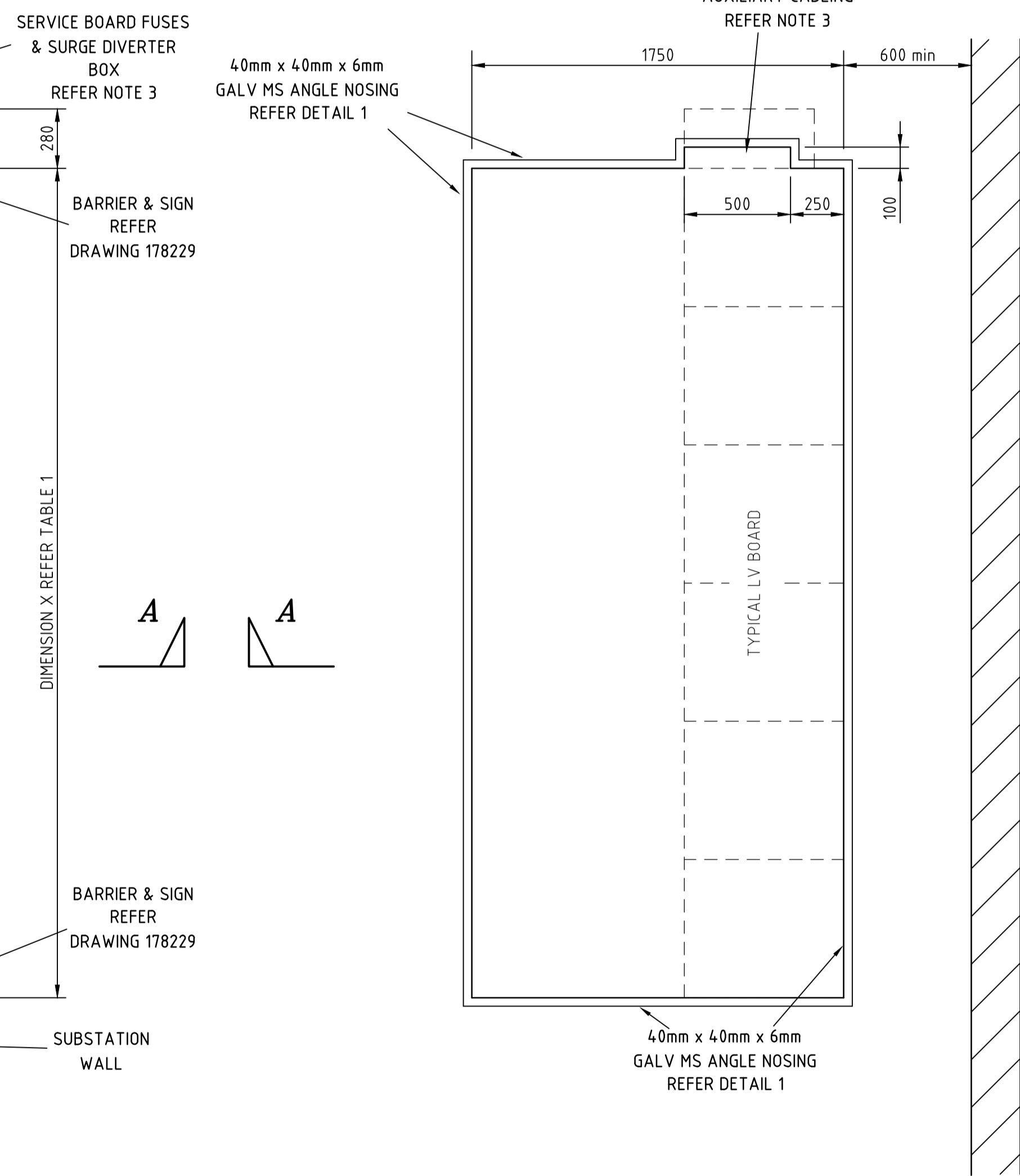
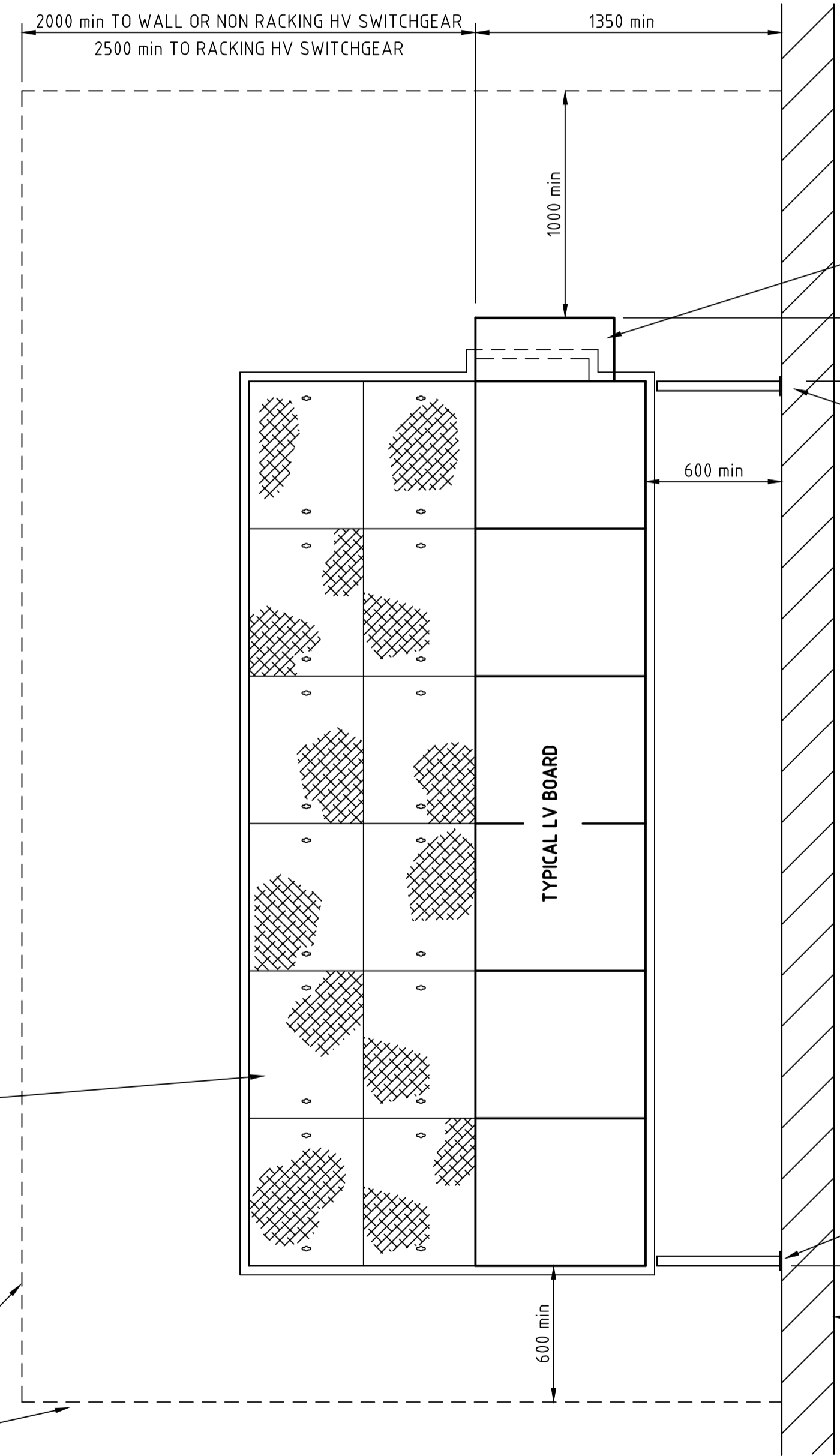
REFERENCE DRAWINGS	
E TYPE LV BOARD ACCEPTABLE COMBINATIONS	178227-1
E TYPE LV BOARD SUPPORTING STEELWORK	178229-1
E TYPE LV BOARD INSTALLATION OF CABLE LADDER FOR AUXILIARY CABLES	178230-1



NOTES

- THIS DRAWING SHOWS CLEARANCES REQUIRED AROUND E TYPE LV BOARDS AND THE SIZE AND CONSTRUCTION OF THE ASSOCIATED PIT. FOR THE ARRANGEMENT OF THE E TYPE LV BOARD FOR AN INDIVIDUAL SUBSTATION REFER TO THE DESIGN INFORMATION AND DRAWINGS OF THAT SUBSTATION.
- THIS DRAWING IS TO BE READ IN CONJUNCTION WITH RELEVANT NETWORK STANDARDS.
- EACH SUBSTATION REQUIRES A SERVICE BOARD CONTROLLING FUSE & SURGE ARRESTER BOX TO BE INSTALLED AT EITHER END OF THE LV BOARD. HOWEVER, IF THE LV BOARD CONTAINS A NORMALLY OPEN BUS SECTION SWITCH, THIS BOX MUST BE INSTALLED AT EACH END OF THE LV BOARD. THE SURGE ARRESTERS ARE TO BE CONNECTED IN BOTH BOXES AND THE SERVICE BOARD FUSES ARE TO BE CONNECTED IN THE BOX CLOSEST TO THE SUBSTATION SERVICE BOARD. THE CLEARANCE IN FRONT OF THE SERVICE BOARD FUSE & SURGE ARRESTER BOX IS 1000mm IRRESPECTIVE OF WHICH END OF THE LV BOARD THE BOX IS INSTALLED.
- THE PIT DEPTH CAN VARY BETWEEN 450mm AND 600mm DEPENDING ON THE BENDING RADIUS OF CABLES AND ARRANGEMENT OF THE SUBSTATION.
- THE LENGTH OF THE PIT CAN BE EXTENDED TO ALLOW CABLE ENTRY, THE BENDING RADIUS OF THE CABLES OR TO ACCOMMODATE FUTURE PANELS. ANY PIT EXTENSION MUST BE IN MULTIPLES OF 650mm.

TABLE 1		
NUMBER OF PANELS	WITHOUT BUS SECTION	WITH BUS SECTION
1	650	-
2	1300	-
3	1950	-
4	2600	-
5	3250	3550
6	3900	4200
7	4550	4850
8	5200	5500
9	5850	6150
10	6500	6800



PLAN SHOWING LV BOARD & CLEARANCES
SCALE 1:20

PLAN SHOWING PIT
SCALE 1:20

PLAN SHOWING ACCEPTABLE PIT EXTENSIONS
REFER NOTE 5
SCALE 1:20

CAD DRAWING
DO NOT MANUALLY AMEND
AMENDMENTS
1. CLEARANCE DIMENSIONS IN FRONT OF LV BOARD CLARIFIED. DIMENSIONS OF SERVICE BOARD FUSE BOX & SURGE ARRESTER BOX ADDED. NOTE 3 ADDED.
P.JARVIS
P.JARVIS
20/07/2007
CHECKED: M.ROBSON
APPROVED: M.THOMSON
2. AUSGRID BORDER ADDED. DETAIL 1 UPDATED. BARRIERS & SIGNS ADDED.
PN PM02-2010-1-5-1
P.JARVIS
P.JARVIS
19/03/2010
CHECKED: P.TURRIN
APPROVED:
3. NEW UPDATED BORDER ADDED.
S.MUNRO
S.MUNRO
19/03/2024
CHECKED: M.BENNETT
APPROVED: M.BENNETT

24-28 Campbell Street
SYDNEY NSW 2000

ISSUED FOR CONSTRUCTION

SCALE	AS SHOWN
DESIGNED	P.JARVIS
DRAWN	P.JARVIS
CHECKED	M.PEACOCK
APPROVED	P.HALLEN
DATE	06/03/2007
TRIM REF	-
PROJECT NUMBER	103/59/1/6

E TYPE LV BOARD CLEARANCES, PIT DESIGN AND PIT CONSTRUCTION

DRAWING No **178228** SHEET 1 AMD 3 SIZE A1