

A

B

C

D

E

F

G

H

A

B

C

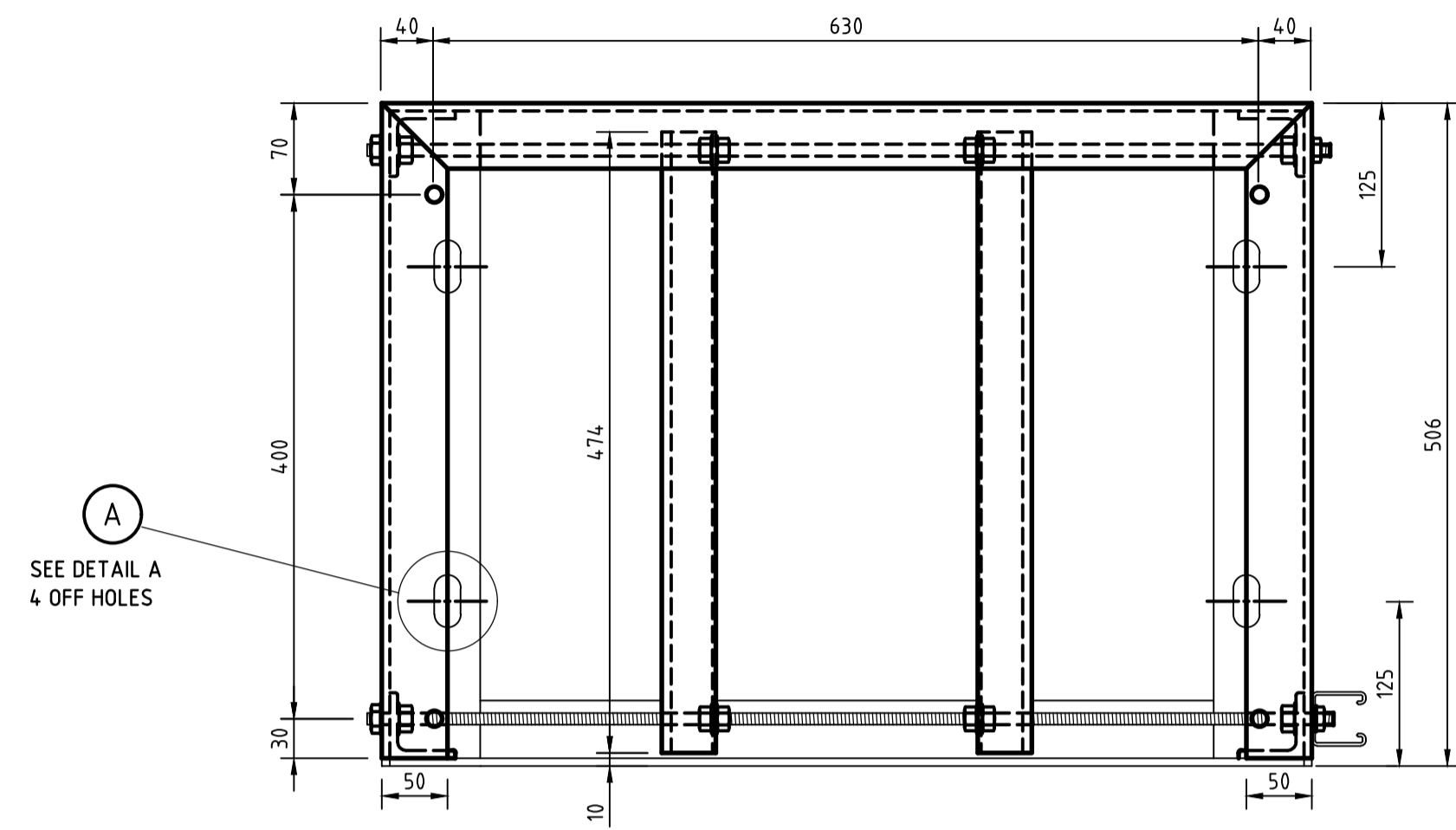
D

E

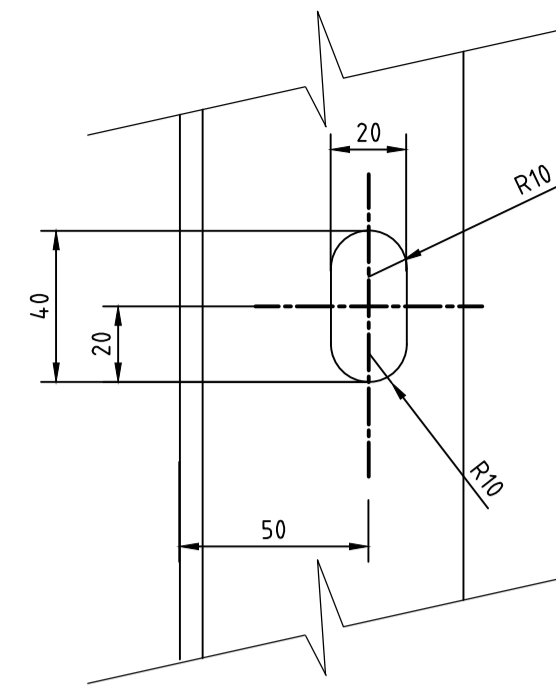
F

G

H

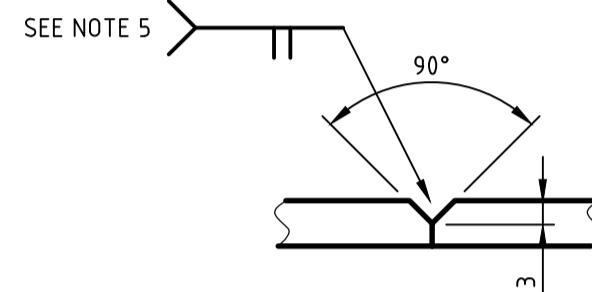


PLAN  
SCALE 1:5



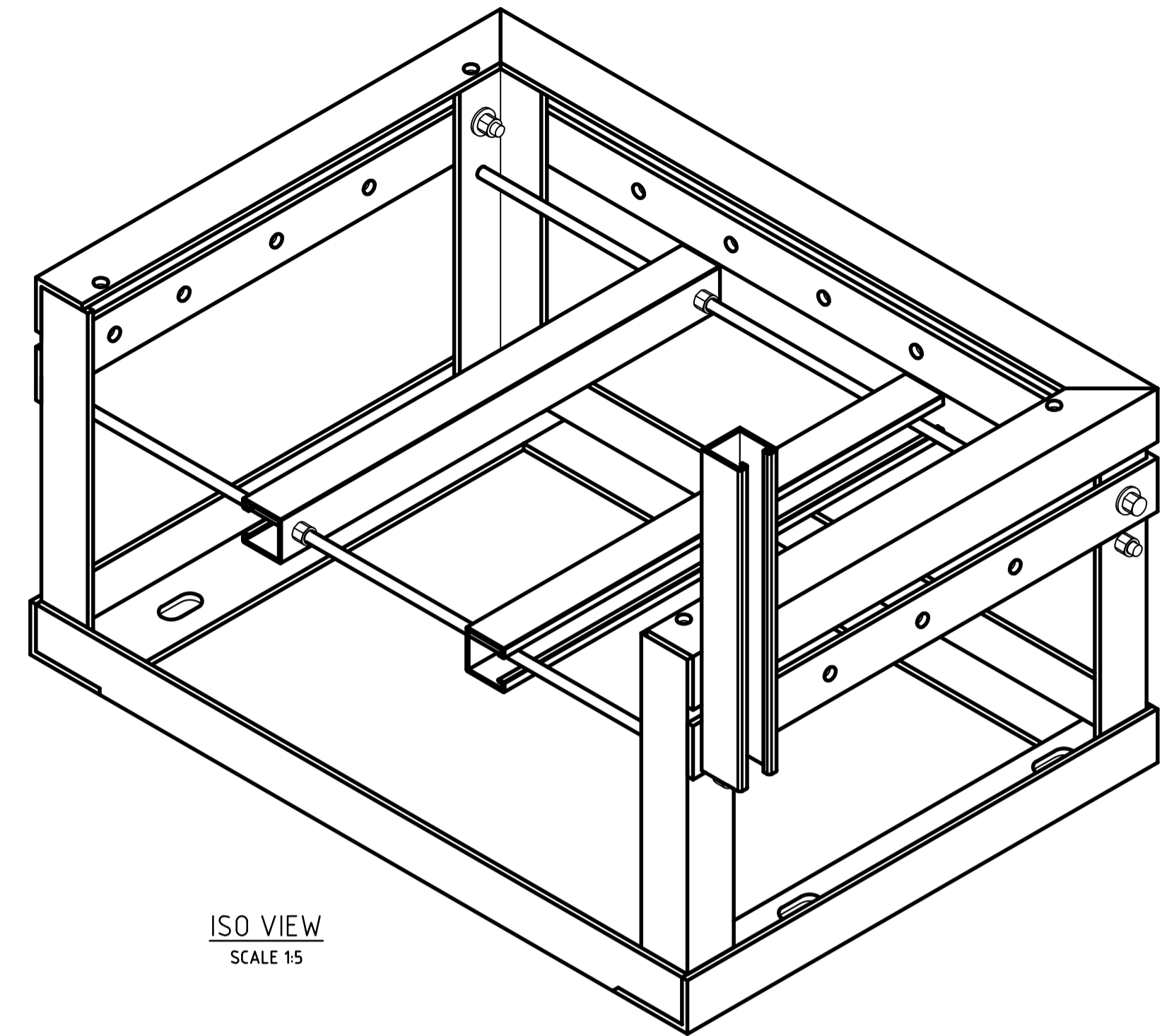
DETAIL 'A'

SCALE = 1:2



BUTT WELD PREPARATION DETAIL

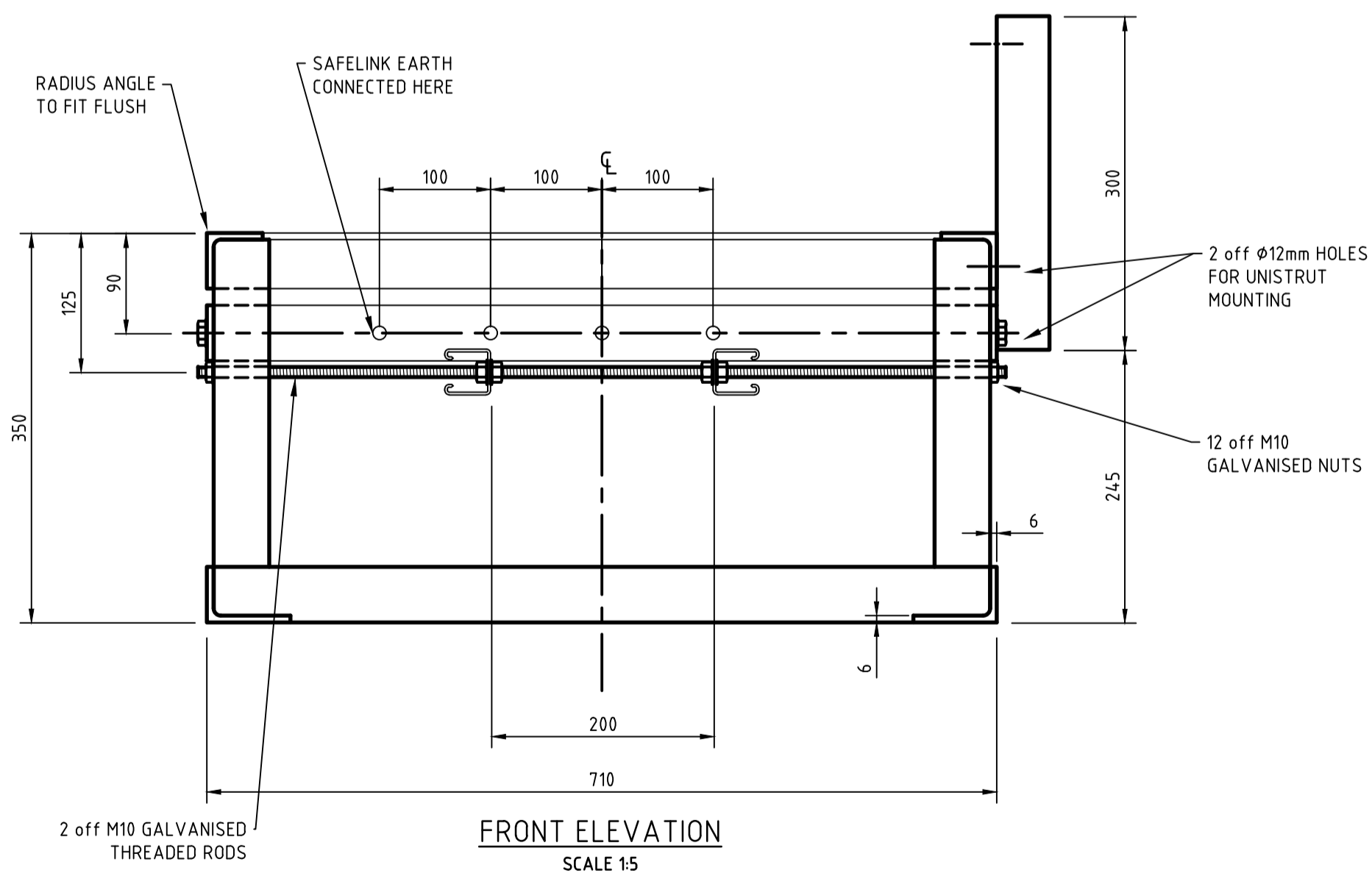
SCALE = 1:1



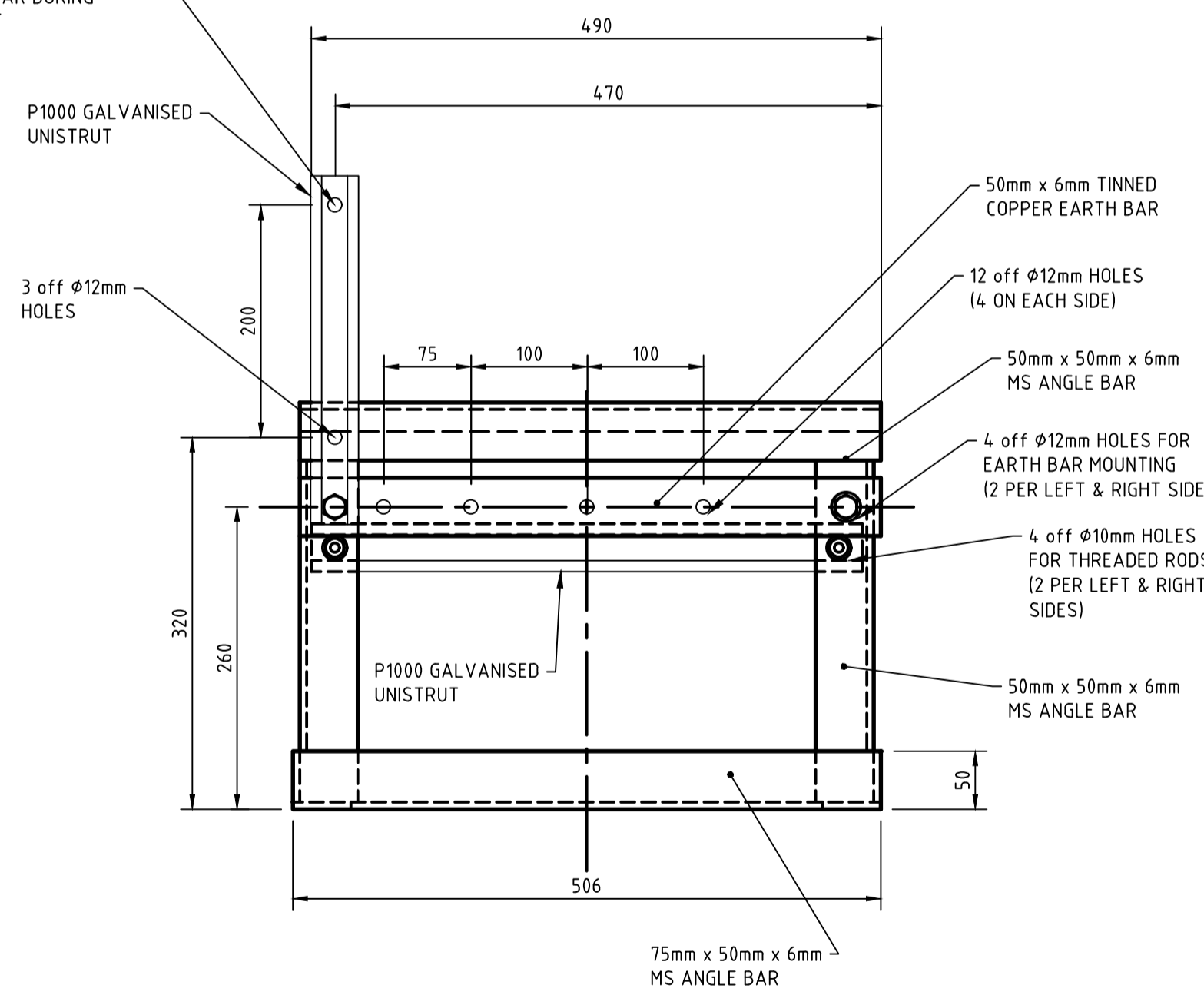
ISO VIEW  
SCALE 1:5

SEE DETAIL A  
4 OFF HOLES

NOTE : HOLE REQUIRED FOR  
UNISTRUT MOUNTING  
ON EARTH BAR DURING  
TRANSPORT



FRONT ELEVATION  
SCALE 1:5



SIDE ELEVATION  
SCALE 1:5

NOTES :

- ALL STEELWORK TO BE FABRICATED IN ACCORDANCE WITH AS 4100.
- UNLESS NOTED OTHERWISE:  
(a) ALL HOT ROLLED FLATS TO BE GRADE 250 MINIMUM IN ACCORDANCE WITH AS 1594.  
(b) ALL HOT ROLLED SECTIONS TO BE GRADE 250 MINIMUM IN ACCORDANCE WITH AS 3679.
- ALL COPPER BARS TO BE COPPER ALLOY C11000 TO AS 2738
- ALL TIN PLATING TO HAVE A MINIMUM COATING THICKNESS OF 5 MICROMETERS.
- ALL EXTERNAL BUTT WELDS ON ANGLE FRAME TO BE PARTIAL PENETRATION AS PER WELD DETAIL AND GROUND FLUSH ON COMPLETION
- ZINC PLATED ISO NUTS BOLTS, NUTS AND WASHERS ARE REQUIRED UNLESS OTHERWISE SPECIFIED. NUTS SHALL TO BE FREE RUNNING.
- ALL SHARP EDGES AND BURRS ARE TO BE REMOVED AFTER FABRICATION.

CAD DRAWING DO NOT MANUALLY AMEND	
AMENDMENTS 1. MAIN MOUNTING ANGLE REDUCED IN SIZE 2. MOUNTING HOLES RELOCATED TITLE ALTERED.	
P/N: PM02-02010-1-5-1 DRAWN: C.MABBUTT 11-04-2010 CHECKED: R.KITCHING APPROVED: P.JARVIS	19/09/2024 M.BENNETT M.BENNETT
2. NEW AUSGRID BORDER & LOGO ADDED. R.LAALAA 30-09-2013 APPROVED T.LAMPARD	
3. NEW UPDATED BORDER ADDED. S.MUNRO CHECKED: M.BENNETT APPROVED:	



24-28 Campbell Street  
SYDNEY NSW 2000

ISSUED FOR  
CONSTRUCTION

SCALE	1:2 1:5
DESIGNED	S.MCPHERSON
DRAWN	S.MCPHERSON
CHECKED	T.FEARNLEY
APPROVED	C.CHIODI
DATE	10/01/2011
TRIM REF	-
PROJECT NUMBER	-

ABB SAFELINK FOR  
CHAMBER SUBSTATIONS  
MOUNTING STAND  
CONSTRUCTION DETAILS

DRAWING No	192959	SHEET	1	AMD	3	SIZE	A1
------------	--------	-------	---	-----	---	------	----