

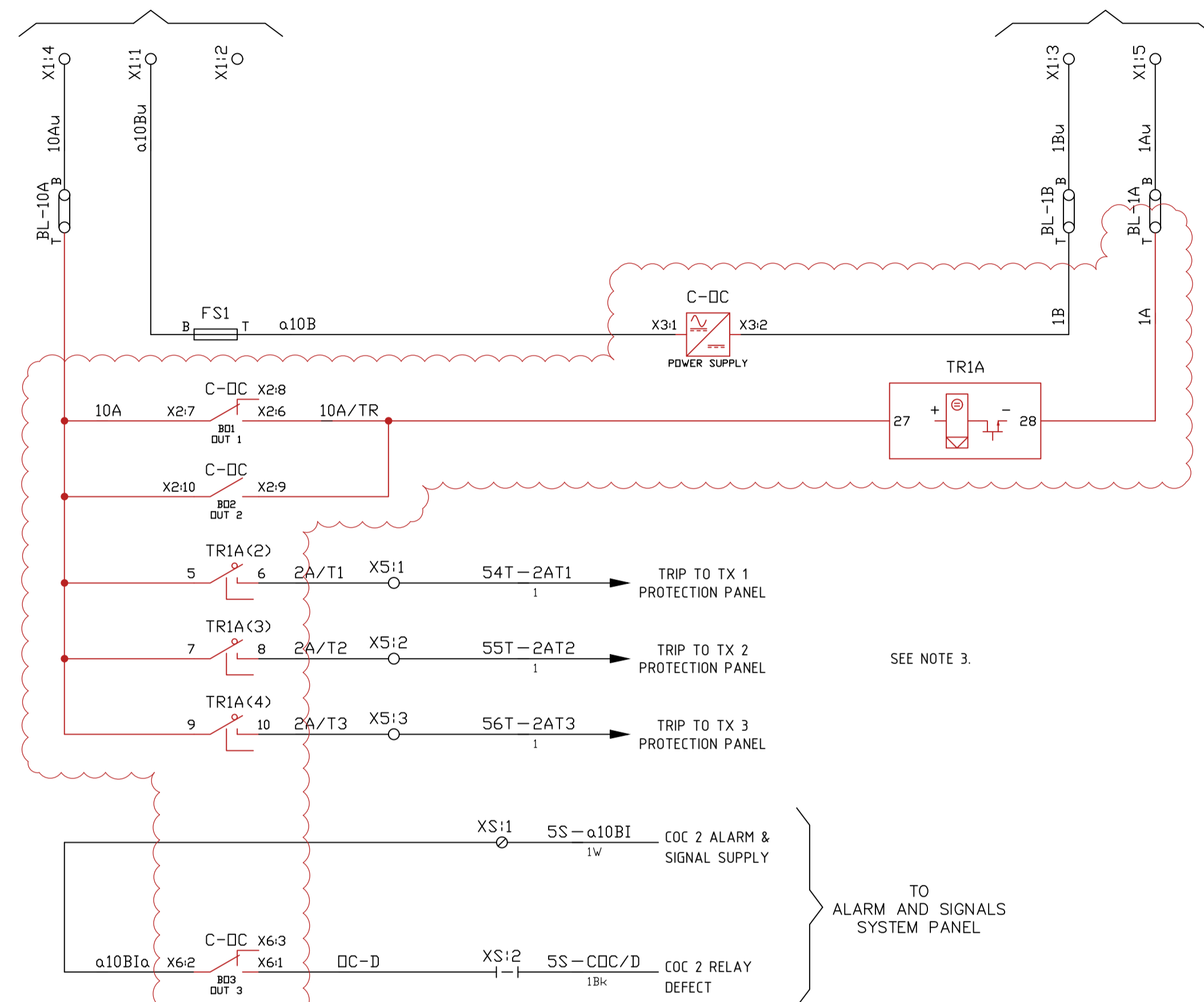
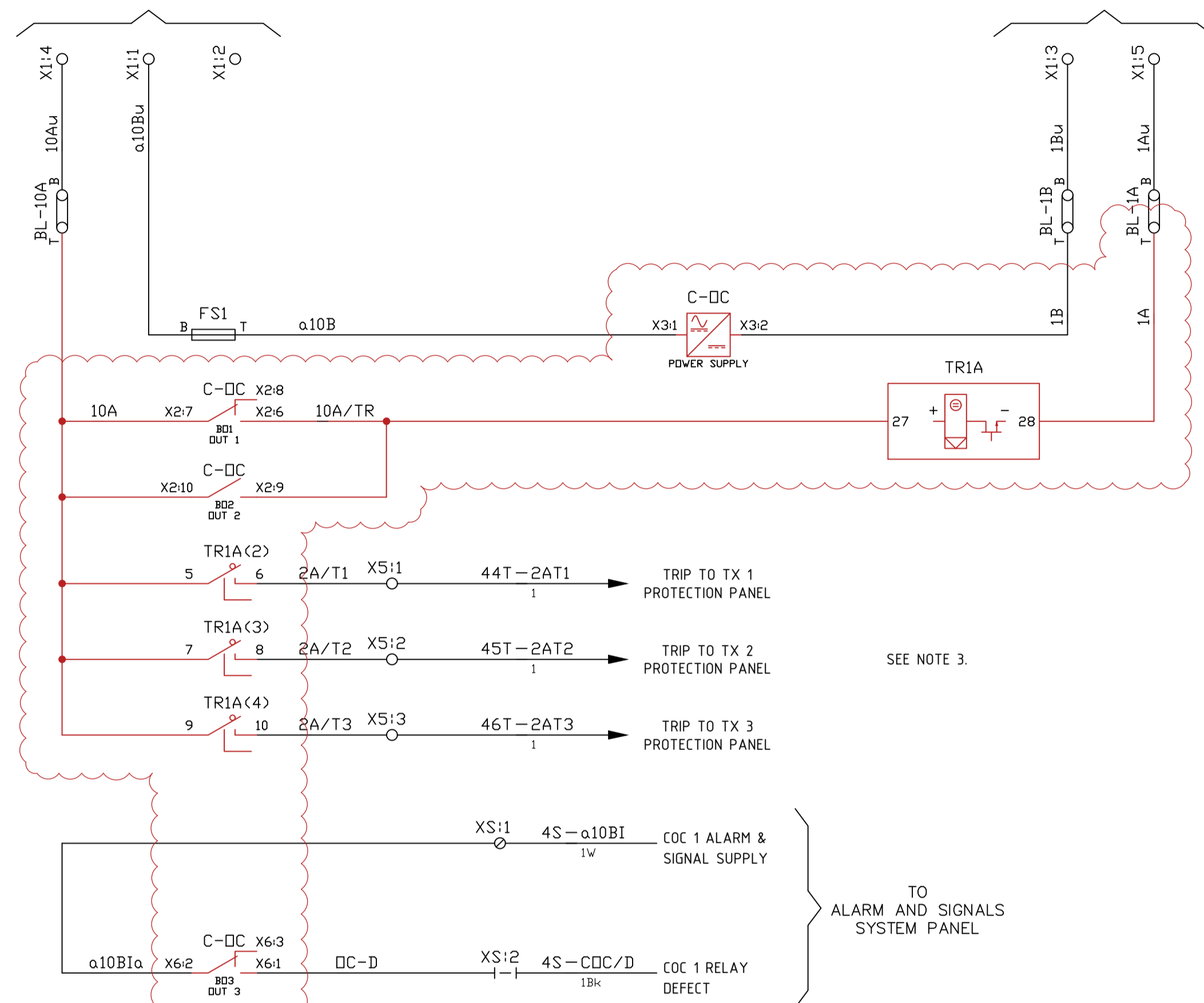
SEE
DC SUPPLY AND CABLE
LOOPING SCHEMATIC
DWG 227350-4

CUSTOMER OVERCURRENT No.1 PANEL

SEE
DC SUPPLY AND CABLE
LOOPING SCHEMATIC
DWG 227350-4

CUSTOMER OVERCURRENT No.2 PANEL

SEE
DC SUPPLY AND CABLE
LOOPING SCHEMATIC
DWG 227350-4



SEE NOTE 3.

SEE NOTE 3.

TO ALARM AND SIGNALS SYSTEM PANEL

TO ALARM AND SIGNALS SYSTEM PANEL

TITLE	DWG No.
RMICB SUBSTATIONS WITH E TYPE LV BOARD AC SCHEMATIC WITH OPTICAL ARC FLASH DETECTION	227350-1
RMICB SUBSTATIONS WITH E TYPE LV BOARD TRANSFORMER DC SCHEMATIC WITH OPTICAL ARC FLASH DETECTION	227350-2
RMICB SUBSTATIONS WITH E TYPE LV BOARD CUSTOMER OVERCURRENT DC SCHEMATIC	227350-3
RMICB SUBSTATIONS WITH E TYPE LV BOARD DC SUPPLY CABLE LOOPING AND SCADA SCHEMATIC	227350-4
RMICB SUBSTATIONS WITH E TYPE LV BOARD WITH OPTICAL ARC FLASH DETECTION FIBRE LOOPING AND GENERAL MOUNTING DETAILS	227350-5
RMICB SUBSTATIONS WITH E TYPE LV BOARD TX WALL MOUNTED PROT N PANEL WITH OPTICAL AFD STYLE 1 LAYOUT AND LABEL DETAILS DIAGRAM	227351-1
RMICB SUBSTATIONS WITH E TYPE LV BOARD TRANSFORMER PROTECTION PANEL STYLE 1 WIRING DIAGRAM	227351-2
RMICB SUBSTATIONS WITH E TYPE LV BOARD TRANSFORMER PROTECTION PANEL STYLE 1 CABLE CONNECTION DIAGRAM	227351-3
RMICB SUBSTATIONS WITH E TYPE LV BOARD TX WALL MOUNTED PROT N PANEL WITH OPTICAL AFD STYLE 2 LAYOUT AND LABEL DETAILS DIAGRAM	227352-1
RMICB SUBSTATIONS WITH E TYPE LV BOARD TRANSFORMER PROTECTION PANEL STYLE 2 WIRING DIAGRAM	227352-2
RMICB SUBSTATIONS WITH E TYPE LV BOARD TRANSFORMER PROTECTION PANEL STYLE 2 CABLE CONNECTION DIAGRAM	227352-3
RMICB SUBSTATIONS WITH E TYPE LV BOARD CUSTOMER OVERCURRENT WALL MOUNTED PROT N PANEL LAYOUT AND LABEL DETAILS DIAGRAM	227353-1
RMICB SUBSTATIONS WITH E TYPE LV BOARD CUSTOMER OVERCURRENT WIRING DIAGRAM	227353-2
RMICB SUBSTATIONS WITH E TYPE LV BOARD OPTICAL ARC FLASH DETECTION INDICATION PANEL SCHEMATIC DRILLING AND WIRING DIAGRAM	227354-1
RMICB SUBSTATIONS WITH E TYPE LV BOARD AND OPTICAL ARC FLASH DETECTION CABLING DIAGRAM	227355-1
RMICB SUBSTATIONS WITH E TYPE LV BOARD AND OPTICAL ARC FLASH DETECTION CABLE SCHEDULE	227355-2
RMICB SUBSTATIONS WITH E TYPE LV BOARD SUBURBAN TYPE SUBSTATION WITH 1500KVA TRANSFORMERS SERVICE BOARD GEN. ARRANGEMENT AND WIRING	227356-1
E TYPE LV BOARD MERLIN GERIN MASTERPAC TP AIR CIRCUIT BREAKERS EXTERNAL CONNECTIONS FOR AFD DIST. SUBSTATIONS	227357-1
RMICB SUBSTATIONS WITH E TYPE LV BOARD AND OPTICAL ARC FLASH DETECTION SCADA PANEL WIRING AND CABLING DETAILS	227358-1
E TYPE LV BOARD ACCEPTABLE COMBINATIONS	178227-1
EPOXY RESIN ENCASED PROTECTION CURRENT TRANSFORMER OUTLINE AND DETAILS	125190-1
REFERENCE DRAWINGS	

LINK No.	LINK FUNCTION
FS1	48V 'a10B' PROTECTION RELAY FUSE
BL-10A	30V 'A' +VE BATTERY LINK
BL-1A	30V 'A' -VE BATTERY LINK
BL-1B	'B' -VE BATTERY LINK

TAGNAME	MFG	CATNO	DESC	REF DWG
BL	EUGAQUIP	MOULDED TYPE M5	BATTERY/TEST LINK	507111
C-DC	SIEMENS	7SR4504-2HB20-1AA0	OVERCURRENT & EARTH FAULT RELAY	-
EB	-	EARTH BAR	EARTH BAR	-
FS1	ALSTOM	RS20P Black	FUSE - 2 STUD BACK CONNECTED	-
TR1A	RMS	TR12-BD-22	LATCHING MULTITRIP RELAY 32V DC	223206
X1, X5, X7	UTILUX	3820	RAIL MOUNTED TERMINAL	118547
XS	WEIDMULLER	SAK 2.5	RAIL MOUNTED TERMINAL CAT No. 27966	-
XS	WEIDMULLER	SAKR	RAIL MOUNTED ISOLATING TERM CAT No. 41226	-

NOTES:
 1. THE 'B' END OF A FUSE OR LINK THUS () INDICATES THE BOTTOM CONNECTION.
 2. THIS DRAWING SHOWS THE PROTECTION SCHEMATICS WHICH ARE TO BE USED INCONJUNCTION WITH RMICB CHAMBER TYPE SUBSTATIONS AND SHOULD BE READ IN CONJUNCTION WITH NETWORKS STANDARDS AND THE SUBSTATION DESIGN INFORMATION PACKAGE.
 3. FOR A CUSTOMER CABLE SUPPLY, THE CUSTOMER SWITCH CAN BE AN AIR CIRCUIT BREAKER OR A DISCONNECTOR. FOR A CUSTOMER BUSBAR SUPPLY, THE CUSTOMER SWITCH CAN BE AN AIR CIRCUIT BREAKER, A DISCONNECTOR OR A LINK. IN ALL OF THESE INSTALLATIONS, AN OVERCURRENT CT IS INSTALLED AS SHOWN ON THE AC SCHEMATIC.

AMD	DATE	DESCRIPTION	DRAWN BY	DESIGNED BY	CHECKED BY	APPROVED BY
1	20/05/2013	AMENDED NOTE 3. DELETED FINAL SENTENCES WITH INCORRECT LVACB TRIPPING EXPLANATION.	-	L.M.	B.H.	A.T.
2	12/06/2024	AC & DC LINKS NOW 5mm TYPE.	L.M.	L.M.	M.B.	M.B.
3	19/09/2024	ADDED MULTITRIP RELAY & REPLACED SCHNEIDER P115 WITH SIEMENS 7SR4504 IN LEGEND & SCHEMATIC CONNECTIONS.	L.M.	L.M.	M.B.	M.B.



SCALE	NTS
DESIGNED	-
DRAWN	L.MARTINUZZI
CHECKED	B.HAINES
APPROVED	A.TURNER
DATE	31/05/2012
TRIM REF	-
PROJECT NUMBER	SM-06717

RMICB SUBSTATIONS WITH E TYPE LV BOARD CUSTOMER OVERCURRENT DC SCHEMATIC			
DRAWING No	227350	SHEET	3
AMD	3	SIZE	A1
C&P - DISTRIBUTION SUBS			