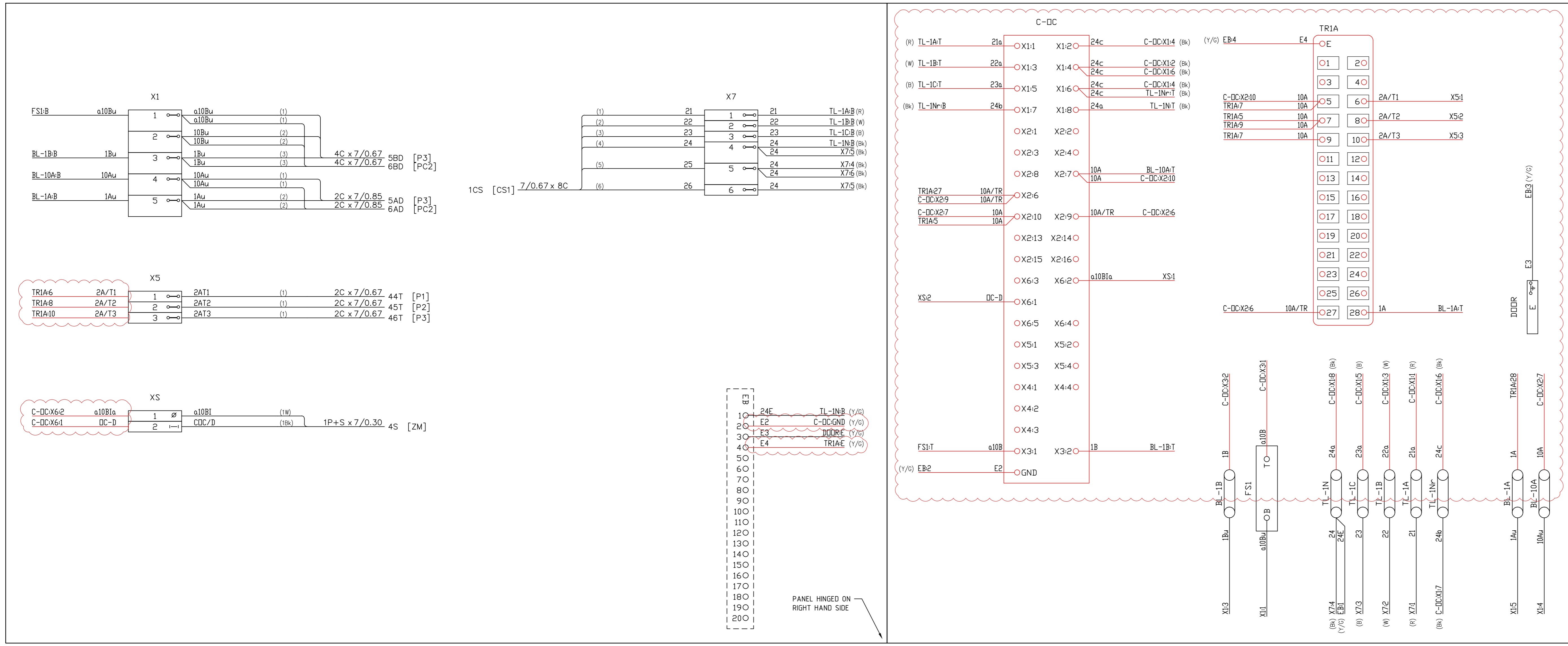


CUSTOMER OVERCURRENT PROTECTION PANEL No.1

(SEE NOTE 4)



PANEL TERMINAL RAIL LAYOUT FRONT VIEW

PANEL DOOR REAR VIEW

NOTES:

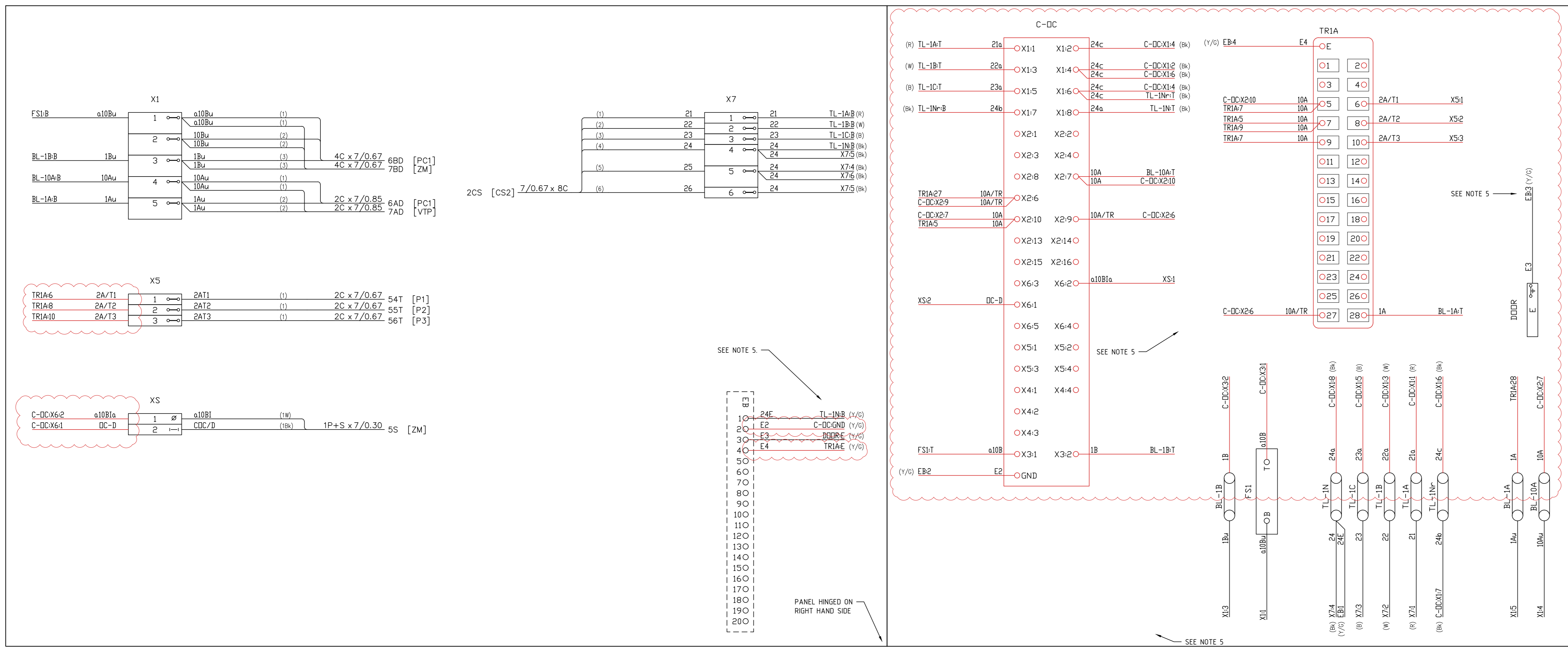
- LINKS SHOULD BE MOUNTED SO THAT THE MOVEABLE LINK FALLS OPEN WHEN RELEASED.
- NUMBERING ON BATTERY AND TEST LINKS REFERS TO LINK IDENTIFICATION AS SHOWN ON THE ASSOCIATED AC & DC PROTECTION SCHEMATICS, SEE DRAWING REFERENCE TABLE.
- ALL PANEL WIRING IS TO BE AS LISTED HERE:
 - DC WIRING IS TO BE 7/0.50, 0.6kV GRADE PVC INSULATED COLOURED GREY.
 - EARTH WIRING IS TO BE 7/0.67, 0.6kV GRADE PVC INSULATED COLOURED GREEN/YELLOW (Y/G).
 - A PHASE CT AND AC WIRING IS TO BE 7/0.67, 0.6kV GRADE PVC INSULATED COLOURED RED (R).
 - B PHASE CT AND AC WIRING IS TO BE 7/0.67, 0.6kV GRADE PVC INSULATED COLOURED WHITE (W).
 - C PHASE CT AND AC WIRING IS TO BE 7/0.67, 0.6kV GRADE PVC INSULATED COLOURED BLUE (B).
 - EARTH CT AND NEUTRAL AC WIRING IS TO BE 7/0.67, 0.6kV GRADE PVC INSULATED COLOURED BLACK (BK).
- FOR DUAL PANEL VERSION, THE TOP HALF OF THE PANEL WILL BE CUSTOMER OVERCURRENT No.1 AND THE BOTTOM HALF OF THE PANEL WILL BE CUSTOMER OVERCURRENT No.2.
- FOR DUAL PANEL VERSION ONLY A SINGLE EARTH BAR IS INSTALLED. EARTH WIRES FOR CUSTOMER OVERCURRENT No.2 PANEL ARE TO BE RENAMED AND TERMINATION TO EARTH BAR MOVED AS BELOW:
 - 24E BECOMES 24E/2 TERMINATES ON E4
 - E2 BECOMES E2/2 TERMINATES ON E5
 - E3 BECOMES E3/2 TERMINATES ON E6
- ALL WIRING TO HAVE IDENTIFICATION FERRULES FITTED AT BOTH ENDS OF WIRE ADJACENT TO TERMINALS WHERE POSSIBLE. WIRE IDENTIFICATION CODES TO BE IN ACCORDANCE WITH THIS DRAWING.
- TEST LINKS (TL) TO BE WIRED N-C-B-A LEFT TO RIGHT WHEN VIEWED FROM THE REAR OF THE PANEL.
- THE WIRING SHOWN IS BASED ON THE RELAYS LISTED IN THE LEGEND.
- PANEL DOOR LAYOUT IS REPRESENTATIVE, FOR ACTUAL DOOR LAYOUT SEE DWG 227353-1.
- ALARM AND SIGNAL CABLE SCREENS TO BE ISOLATED AND NOT TO BE TERMINATED IN THIS CABINET. SCREENS ONLY TO BE EARTHED AT SCADA CABINET.

| REF | DESCRIPTION |
|-----|--|
| CS1 | CUSTOMER SUPPLY No.1 PANEL |
| CS2 | CUSTOMER SUPPLY No.2 PANEL |
| PT | TRANSFORMER No.1 PROTECTION PANEL |
| P2 | TRANSFORMER No.2 PROTECTION PANEL |
| P3 | TRANSFORMER No.3 PROTECTION PANEL |
| PE1 | CUSTOMER OVERCURRENT No.1 PROTECTION PANEL |
| PE2 | CUSTOMER OVERCURRENT No.2 PROTECTION PANEL |
| VTP | A BATTERY TEST BOX |
| ZM | SCADA CABINET (ALARM & SIGNALING UNIT) |

PANEL ABBREVIATION TABLE

CUSTOMER OVERCURRENT PROTECTION PANEL No.2

(SEE NOTE 4)



PANEL TERMINAL RAIL LAYOUT FRONT VIEW

PANEL DOOR REAR VIEW

| TAGNAME | MFG | CATNO | DESC | REF_DWG |
|------------|-----------|-------------------|---|---------|
| EB | - | EARTH BAR | EARTH BAR | - |
| FS1 | ALSTOM | 8530P B044 | FUSE - 2 STUD BACK CONNECTED | - |
| C-DC | SIEMENS | 75R4504-2H23-1A00 | OVERCURRENT & EARTH FAULT RELAY | - |
| TRIA | RMS | TR12-BD-22 | LATCHING MULTITRIP RELAY 32V DC | 2273206 |
| X1, X5, X7 | UTLULUX | 3820 | RAIL MOUNTED TERMINAL | 188547 |
| X5 | WEDMULLER | SAK 2.5 | RAIL MOUNTED TERMINAL CAT No. 37966 | - |
| X5 | WEDMULLER | SAKR | RAIL MOUNTED ISOLATING TERM CAT No. 41226 | - |

LEGEND

| TITLE | DWG No. |
|---|----------|
| RMICB SUBSTATIONS WITH E TYPE LV BOARD AC SCHEMATIC WITH OPTICAL ARC FLASH DETECTION | 227350-1 |
| RMICB SUBSTATIONS WITH E TYPE LV BOARD TRANSFORMER DC SCHEMATIC WITH OPTICAL ARC FLASH DETECTION | 227350-2 |
| RMICB SUBSTATIONS WITH E TYPE LV BOARD CUSTOMER OVERCURRENT DC SCHEMATIC | 227350-3 |
| RMICB SUBSTATIONS WITH E TYPE LV BOARD DC SUPPLY CABLE LOOPING AND SCADA SCHEMATIC | 227350-4 |
| RMICB SUBSTATIONS WITH E TYPE LV BOARD WITH OPTICAL ARC FLASH DETECTION FIBRE LOOPING AND GENERAL MOUNTING DETAILS | 227350-5 |
| RMICB SUBSTATIONS WITH E TYPE LV BOARD TX WALL MOUNTED PROTIN PANEL WITH OPTICAL AFD STYLE 1 LAYOUT AND LABEL DETAILS DIAGRAM | 227351-1 |
| RMICB SUBSTATIONS WITH E TYPE LV BOARD TRANSFORMER PROTECTION PANEL STYLE 1 WIRING DIAGRAM | 227351-2 |
| RMICB SUBSTATIONS WITH E TYPE LV BOARD TRANSFORMER PROTECTION PANEL STYLE 1 CABLE CONNECTION DIAGRAM | 227351-3 |
| RMICB SUBSTATIONS WITH E TYPE LV BOARD TX WALL MOUNTED PROTIN PANEL WITH OPTICAL AFD STYLE 2 LAYOUT AND LABEL DETAILS DIAGRAM | 227352-1 |
| RMICB SUBSTATIONS WITH E TYPE LV BOARD TRANSFORMER PROTECTION PANEL STYLE 2 WIRING DIAGRAM | 227352-2 |
| RMICB SUBSTATIONS WITH E TYPE LV BOARD TRANSFORMER PROTECTION PANEL STYLE 2 CABLE CONNECTION DIAGRAM | 227352-3 |
| RMICB SUBSTATIONS WITH E TYPE LV BOARD CUSTOMER OVERCURRENT WALL MOUNTED PROTIN PANEL LAYOUT AND LABEL DETAILS DIAGRAM | 227353-1 |
| RMICB SUBSTATIONS WITH E TYPE LV BOARD CUSTOMER OVERCURRENT WIRING DIAGRAM | 227353-2 |
| RMICB SUBSTATIONS WITH E TYPE LV BOARD OPTICAL ARC FLASH DETECTION INDICATION PANEL SCHEMATIC DRILLING AND WIRING DIAGRAM | 227354-1 |
| RMICB SUBSTATIONS WITH E TYPE LV BOARD AND OPTICAL ARC FLASH DETECTION CABLING DIAGRAM | 227355-1 |
| RMICB SUBSTATIONS WITH E TYPE LV BOARD AND OPTICAL ARC FLASH DETECTION CABLE SCHEDULE | 227355-2 |
| RMICB SUBSTATIONS WITH E TYPE LV BOARD SUBURBAN TYPE SUBSTATION WITH 1500kVA TRANSFORMERS SERVICE BOARD GEN. ARRANGEMENT AND WIRING | 227356-1 |
| E TYPE LV BOARD MERLIN GERIN MASTERPAC TP AIR CIRCUIT BREAKERS EXTERNAL CONNECTIONS FOR AFD DIST. SUBSTATIONS | 227357-1 |
| RMICB SUBSTATIONS WITH E TYPE LV BOARD AND OPTICAL ARC FLASH DETECTION SCADA PANEL WIRING AND CABLING DETAILS | 227358-1 |
| E TYPE LV BOARD ACCEPTABLE COMBINATIONS | 18227-1 |
| EPOXY RESIN ENCASED PROTECTION CURRENT TRANSFORMER OUTLINE AND DETAILS | 125190-1 |

REFERENCE DRAWINGS

| AMD | DATE | DESCRIPTION | DRAWN BY | DESIGNED BY | CHECKED BY | APPROVED BY |
|-----|------------|--|--------------|-------------|------------|-------------|
| 1 | 23/07/2020 | AMENDED NOTE 3 & ADDED WIRING COLOUR CODING. | L.MARTINUZZI | L.M. | M.BENNETT | M.BENNETT |
| 2 | 12/06/2024 | AC & DC LINKS NOW 5mm TYPE. | L.M. | L.M. | M.B. | M.B. |
| 3 | 19/09/2024 | ADDED MULTITRIP RELAY & REPLACED SCHNEIDER P115 WITH SIEMENS 75R4504 IN LEGEND & WIRING CONNECTIONS. | L.M. | L.M. | M.B. | M.B. |

Ausgrid
 24 Campbell Street
 SYDNEY NSW 2000
 P. 9272 3805

SCALE: NTS
 DESIGNED: -
 DRAWN: L.MARTINUZZI
 CHECKED: W.BYRNE
 APPROVED: M.BENNETT
 DATE: 15/06/2012
 TRIM REF: -
 PROJECT NUMBER: SM-06717

RMICB SUBSTATIONS WITH E TYPE LV BOARD CUSTOMER OVERCURRENT WIRING DIAGRAM

DRAWING No: 227353 SHEET 2 AMD 3 SIZE A0

ISSUED FOR CONSTRUCTION