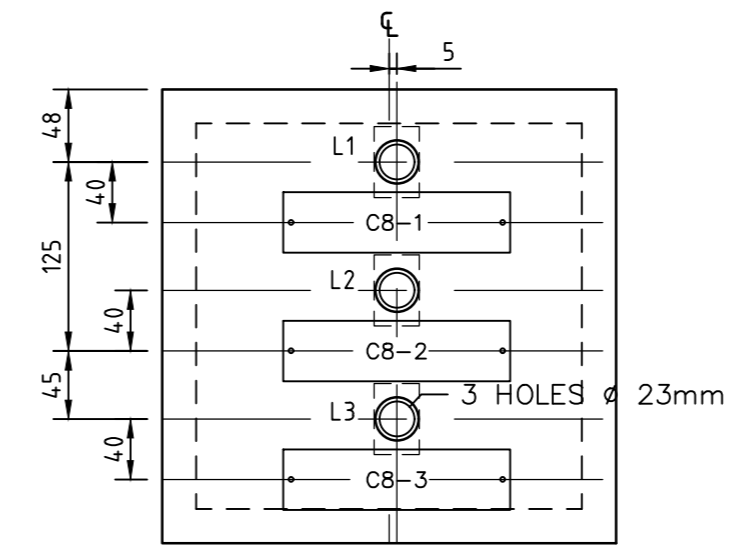
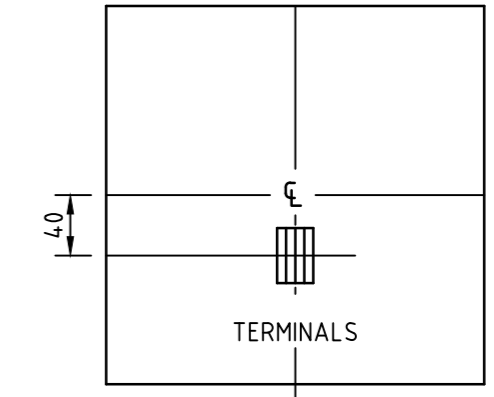


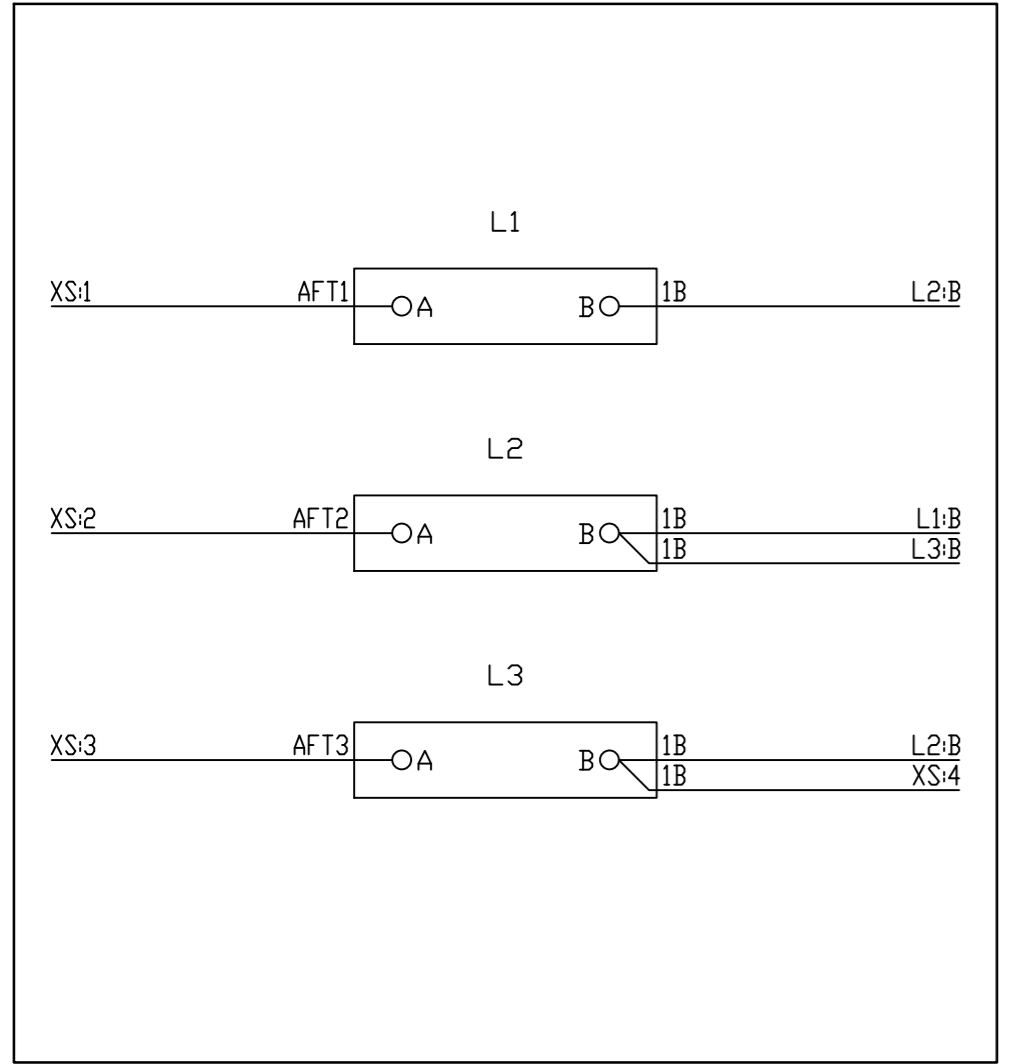
**SCHEMATIC DIAGRAM**  
ARC FLASH DETECTION INDICATION PANEL



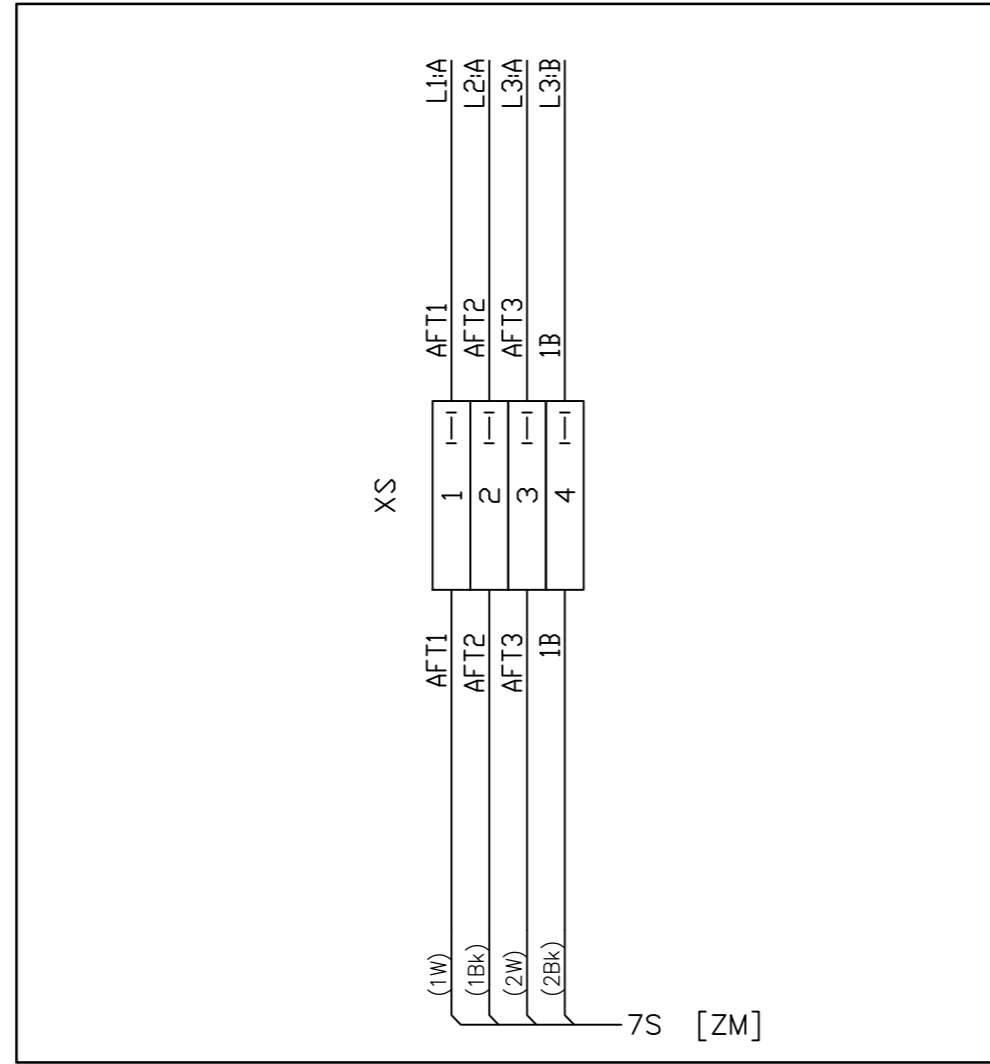
**PANEL DOOR LAYOUT**  
FRONT VIEW  
SCALE 1:5



**MOUNTING PANEL LAYOUT**  
FRONT VIEW  
SCALE 1:5



**WIRING DIAGRAM**  
ARC FLASH DETECTION INDICATION PANEL  
REAR VIEW PANEL DOOR



**WIRING DIAGRAM**  
ARC FLASH DETECTION INDICATION PANEL  
FRONT VIEW PANEL MOUNTING PLATE

LABEL DETAILS						
LABEL	LABEL SIZE	COLOUR	TEXT LINE	TEXT HEIGHT	ENGRAVING	No OFF
1	C8	GRAVOPLY No.200 WHITE/BLACK	LINE 1 LINE 2 LINE 3	7 7 7	TX No.1 GREEN LIGHT INDICATES TRANSFORMER & ARC FLASH RELAY 'B' IS HEALTHY	1
2	C8	GRAVOPLY No.200 WHITE/BLACK	LINE 1 LINE 2 LINE 3	7 7 7	TX No.2 GREEN LIGHT INDICATES TRANSFORMER & ARC FLASH RELAY 'B' IS HEALTHY	1
3	C8	GRAVOPLY No.200 WHITE/BLACK	LINE 1 LINE 2 LINE 3	7 7 7	TX No.3 GREEN LIGHT INDICATES TRANSFORMER & ARC FLASH RELAY 'B' IS HEALTHY	1
SEE NOTE 4.	C8	GRAVOPLY No.200 WHITE/BLACK	LINE 1	8	NOT IN SERVICE	-

**NOTES:**

- ALL PANEL WIRING IS TO BE 7/0.30, 0.6kV V75 GRADE WITH PVC INSULATION. ALL INSULATION IS TO BE GREY COLOURED.
- ALL DIMENSIONS ARE IN MILLIMETRES.
- DRILLING ARRANGEMENT SUITS A B&R UNIVERSAL N103031 ENCLOSURE.
- SHOWN IS THE CONFIGURATION FOR A 3 TRANSFORMER SUBSTATION.  
FOR 1 TRANSFORMER SUBSTATIONS REPLACE LABELS 2 AND 3 WITH LABEL 4.  
FOR 2 TRANSFORMER SUBSTATIONS REPLACE LABELS 3 WITH LABEL 4.

TAGNAME	MFG	CATNO	DESC	REF_DWG
INDICATION BOX	B&R	N103031	UNIVERSAL ENCLOSURE	-
L1 TO L3	TELEMECHANIQUE	ZB4BW33	FLUSH OPERATOR (METAL, GREEN)	169174-1
	TELEMECHANIQUE	ZB4BV6	CONTACT BLOCK (NO)	169174-1
	MARL	215-997-48-38	WHITE LED INDICATOR 60V DC BA9s	-
XS   -	WEIDMULLER	SAKR	RAIL MOUNTED ISOLATING TERM CAT No.41226	-

LEGEND
<p>CAD DRAWING DO NOT MANUALLY AMEND</p> <p><b>AMENDMENTS</b></p> <p>1. REF E2 - E3 CHANGED LED PART No. &amp; VOLTAGE. WAS 211-977-24-38 48V DC, NOW 211-977-48-38 60V DC.</p> <p>L.MARTINUZZI 20/05/2013 CHECKED: L.MARTINUZZI APPROVED: M.BENNETT</p> <p>2. BORDER &amp; TITLE BLOCK UPDATED.</p> <p>AMENDED PANEL DOOR LAYOUT LAMPS &amp; LABELS POSITIONING, TEXT WAS REAR VIEW.</p> <p>L.MARTINUZZI 28-10-2020 CHECKED: M.BENNETT APPROVED: M.BENNETT</p> <p>3. LAMP COMPONENTS UPDATED.</p> <p>M.BENNETT 29/08/2023 CHECKED: L.MARTINUZZI APPROVED: M.BENNETT</p>

SCALE	AS SHOWN
DESIGNED	-
DRAWN	L.MARTINUZZI
CHECKED	B.HAINES
APPROVED	A.TURNER
DATE	31/05/2012
TRIM REF	-

RMICB SUBSTATIONS  
WITH E TYPE LV BOARD  
OPTICAL ARC FLASH DETECTION  
INDICATION PANEL SCHEMATIC,  
DRILLING AND WIRING DIAGRAM

ISSUED FOR CONSTRUCTION	PROJECT NUMBER	SM-06717	SIZE	A2	DRAWING No	227354	SHEET	1	AMD	3
-------------------------	----------------	----------	------	----	------------	--------	-------	---	-----	---