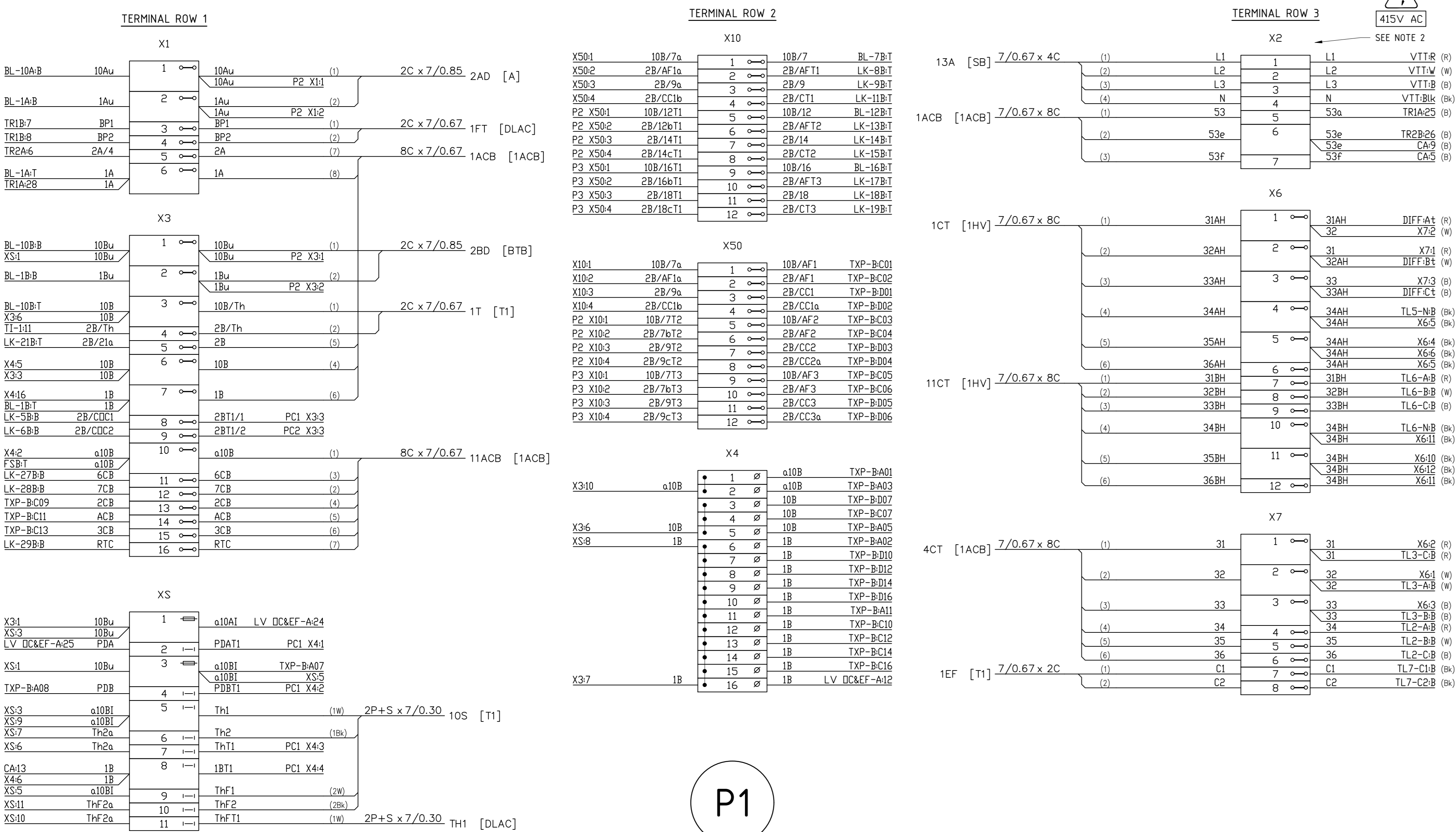


1st CABINET

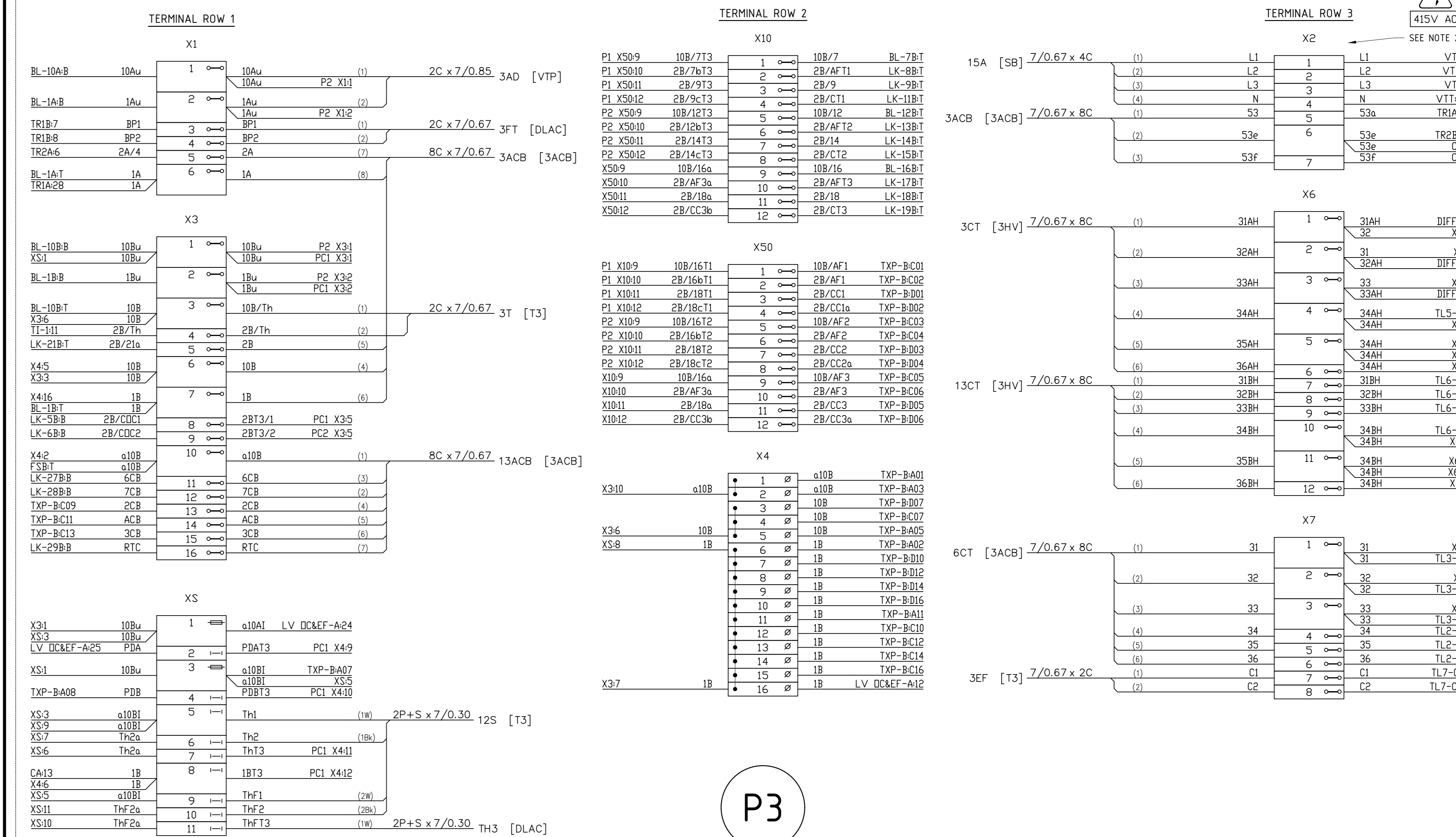
1st TRANSFORMER PROTECTION PANEL TERMINAL RAIL LAYOUT CABLING & WIRE JUMPERS



P1

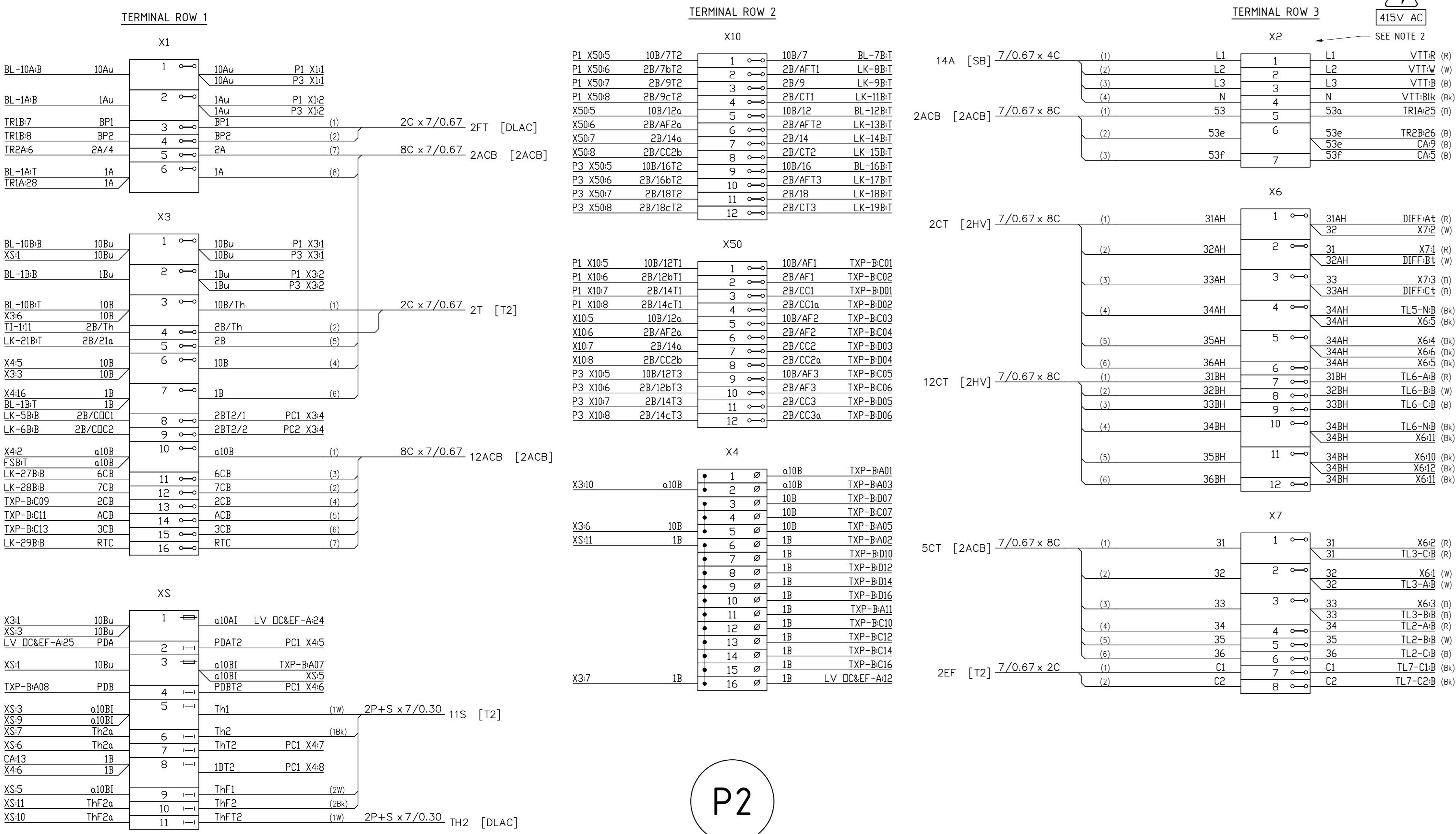
2nd CABINET

3rd TRANSFORMER PROTECTION PANEL TERMINAL RAIL LAYOUT CABLING & WIRE JUMPERS



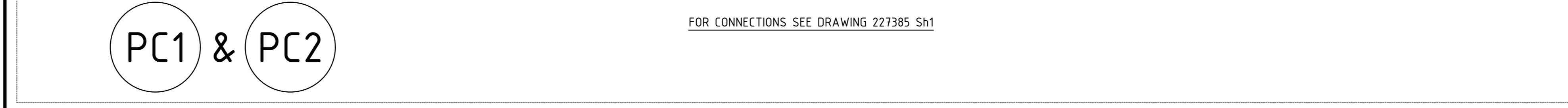
P3

2nd TRANSFORMER PROTECTION PANEL TERMINAL RAIL LAYOUT CABLING & WIRE JUMPERS



P2

CUSTOMER OC No.1 & No.2 PROTECTION PANEL



PC1 & PC2

FOR CONNECTIONS SEE DRAWING 227385 Sh1

NOTES:

- 1. ALL PANEL WIRING IS TO BE AS LISTED HERE.
2. TERMINALS, INSULATED TEST PANEL SOCKETS AND RELAY CONNECTIONS ARE TO BE FITTED WITH CAUTION LABELS TO WARN OF THE 415V/240 AC HAZARD. ANY EXPOSED TERMINALS ARE TO BE APPROPRIATELY COVERED.
3. ALL WIRING TO HAVE IDENTIFICATION FERRULES FITTED AT BOTH ENDS OF WIRE ADJACENT TO TERMINALS WHERE POSSIBLE. WIRE IDENTIFICATION IS TO BE IN ACCORDANCE WITH THIS DRAWING.
4. FOR INTER-PANEL WIRING THE WIRE DESTINATIONS ARE PREFIXED WITH THE DESTINATION PANELS ABBREVIATION. FOR EXAMPLE 'P2 X11' MEANS '11 TERMINALS IN THE SECOND TX PROTECTION PANEL ON THE X1 TERMINAL RAIL.
5. PANEL TERMINAL LAYOUT IS REPRESENTATIVE, FOR ACTUAL LAYOUT SEE DWG 227381 Sh1

Table with 2 columns: PANEL ABBREVIATION TABLE and descriptions for various panels like ACB, ZACB, TEF, ZEP, ZEF, ZHF, ZHV, ZHW, ZSHV, ZB, ZDLAC, ZP1, ZP2, ZP3, ZPE1, ZPE2, ZPE3, ZPE4, ZPE5, ZPE6, ZPE7, ZPE8, ZPE9, ZPE10, ZPE11, ZPE12, ZPE13, ZPE14, ZPE15, ZPE16.

Table with 4 columns: TAGNAME, MFG, CATNO, DESC, REF DWG. Lists components like X1, X2, X3, X4, X5, X6, X7, X8, X9, X10, X11, X12, X13, X14, X15, X16, X17, X18, X19, X20, X21, X22, X23, X24, X25, X26, X27, X28, X29, X30, X31, X32, X33, X34, X35, X36, X37, X38, X39, X40, X41, X42, X43, X44, X45, X46, X47, X48, X49, X50, X51, X52, X53, X54, X55, X56, X57, X58, X59, X60, X61, X62, X63, X64, X65, X66, X67, X68, X69, X70, X71, X72, X73, X74, X75, X76, X77, X78, X79, X80, X81, X82, X83, X84, X85, X86, X87, X88, X89, X90, X91, X92, X93, X94, X95, X96, X97, X98, X99, X100.

Table with 4 columns: TAGNAME, MFG, CATNO, DESC, REF DWG. Lists components like X1, X2, X3, X4, X5, X6, X7, X8, X9, X10, X11, X12, X13, X14, X15, X16, X17, X18, X19, X20, X21, X22, X23, X24, X25, X26, X27, X28, X29, X30, X31, X32, X33, X34, X35, X36, X37, X38, X39, X40, X41, X42, X43, X44, X45, X46, X47, X48, X49, X50, X51, X52, X53, X54, X55, X56, X57, X58, X59, X60, X61, X62, X63, X64, X65, X66, X67, X68, X69, X70, X71, X72, X73, X74, X75, X76, X77, X78, X79, X80, X81, X82, X83, X84, X85, X86, X87, X88, X89, X90, X91, X92, X93, X94, X95, X96, X97, X98, X99, X100.

Table with 2 columns: TITLE and DWG No. Lists various drawing titles and their corresponding drawing numbers.

REFERENCE DRAWINGS table with columns: SCALE, DESIGNED, DRAWN, CHECKED, APPROVED, DATE, TRIM REF, PROJ ICT NUMBER, SHEET, AMD, SIZE. Includes Ausgrid logo and project details.

CAD DRAWING... A. L. E. N. D. M. E. T. S. 1. I. E. R. D. I. N. G. B. O. R. I. N. G. A. D. D. E. S. S. S. I. M. I. L. I. O. N. 1. 0. 0. 0. 2. 0. 2. 4. M. B. E. N. N. E. T. T. A. P. P. R. O. V. E. D. :

FOR ARRANGEMENT WITH OIL TYPE TRANSFORMERS SEE 227384 Sh2