

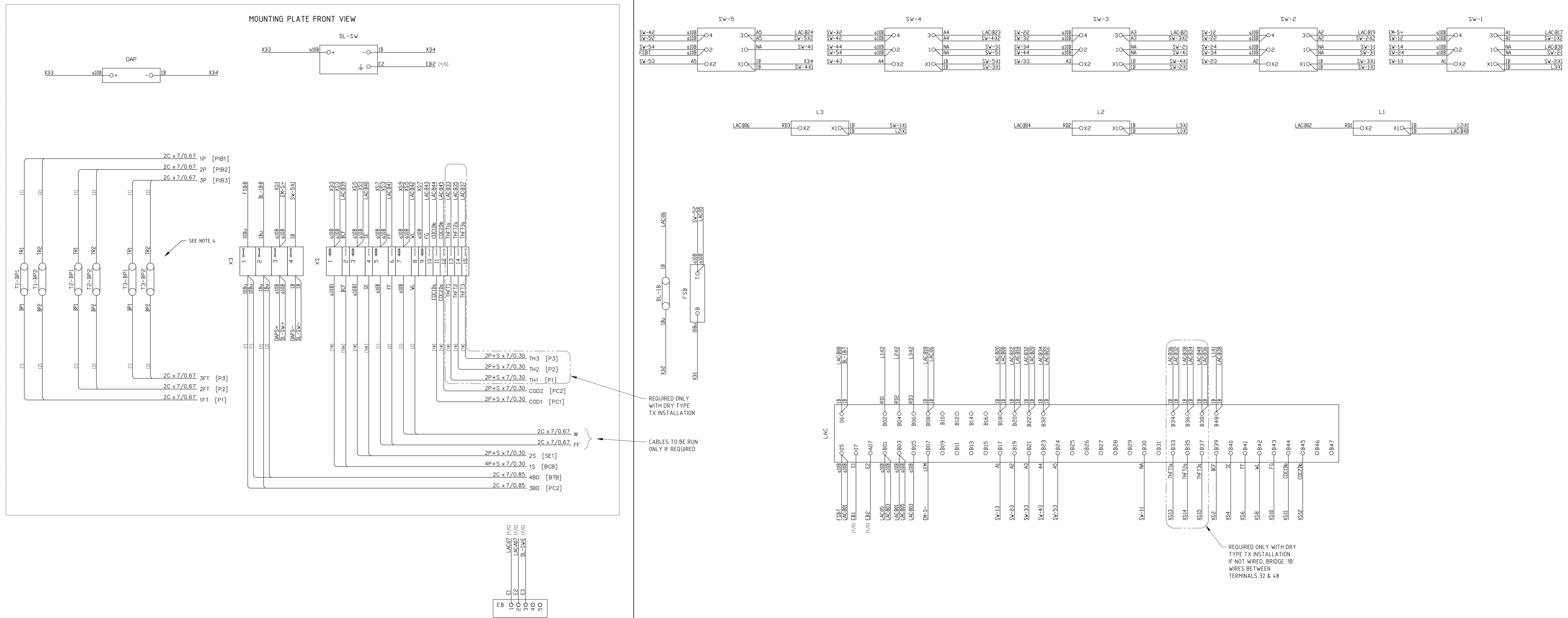
DISTRIBUTION LOCAL AUTOMATION CONTROL PANEL

DLAC

PANEL - FRONT VIEW

HINGED SECTION - REAR VIEW

MOUNTING PLATE FRONT VIEW

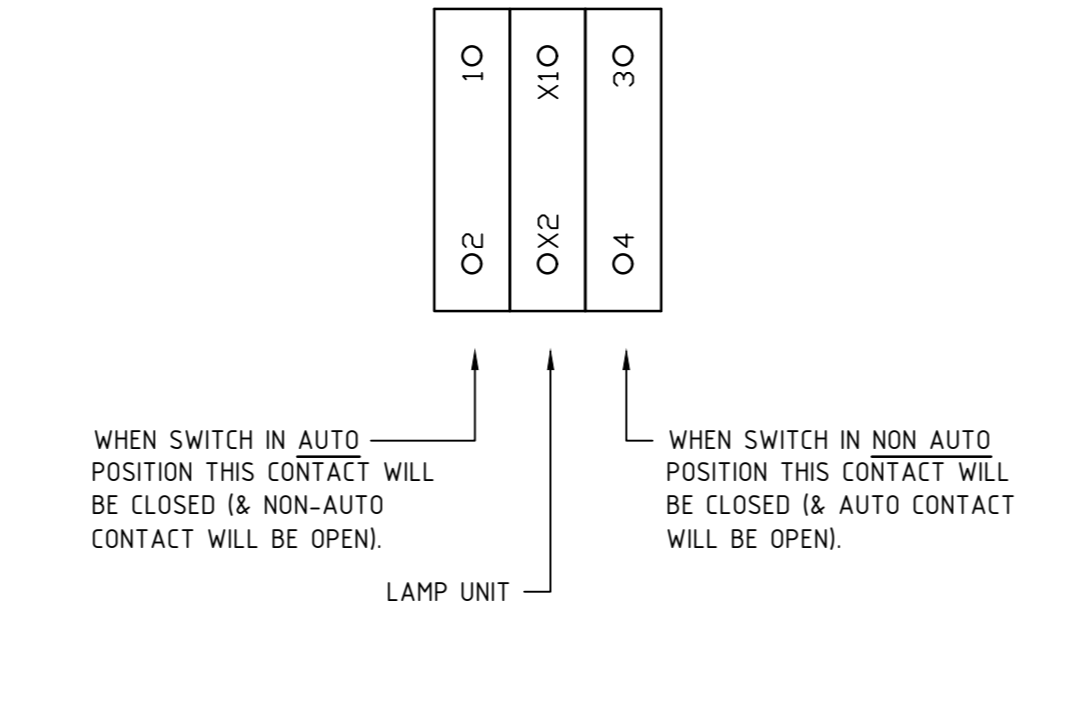


REQUIRED ONLY WITH DRY TYPE TX INSTALLATION

CABLES TO BE RUN ONLY IF REQUIRED

REQUIRED ONLY WITH DRY TYPE TX INSTALLATION IF NOT WIRED, BRIDGE 'B' WIRES BETWEEN TERMINALS 32 & 48

CONFIGURATION FOR SW-1 TO SW-5 VIEWED FROM REAR OF PANEL



NOTES:

- ALL PANEL WIRING IS TO BE AS LISTED HERE:
  - DC WIRING IS TO BE 7/0.50, 0.6kV GRADE PVC INSULATED COLOURED GREY.
  - EARTH WIRING IS TO BE 7/0.67, 0.6kV GRADE PVC INSULATED COLOURED GREEN/YELLOW (Y/G).
- ALL WIRING TO HAVE IDENTIFICATION FERRULES FITTED AT BOTH ENDS OF WIRE ADJACENT TO TERMINALS WHERE POSSIBLE. WIRE IDENTIFICATION CODES TO BE IN ACCORDANCE WITH THIS DRAWING.
- PANEL LAYOUT IS REPRESENTATIVE, FOR ACTUAL LAYOUT SEE DWG 227388-1.
- TRIPPING TERMINALS TO BE SUITABLY INSULATED WITH TERMINAL COVER H3822 TO PREVENT ANY ACCIDENTAL SHORTING OF THESE TRIP TERMINALS.

TAGNAME	MFG	CATNO	DESC	REF_DWG
ENCLOSURE	RITTAL	2252 605	WALL MOUNTED ENCLOSURE EL	-
BL	EUGADUP	MOULDED TYPE MS	BATTERY LINK	507111-1
DL-SW	MDS-G420	ETHERNET SWITCH		
EM-S	ASERTA	AS/PS/5-40V/G	ELECTRONIC SOUNDER, GREY, 9 - 60VDC	
FSB	ALSTOM	RS20P BlakH	FUSE - 2 STUD BACK CONNECTED	
LAC	SCHWEITZER	SEL-3350	AUTOMATION CONTROLLER	260170-1
L1 TO L3	SCHNEIDER	ZB4B433	LAMP HOLDER WITH GREEN LENS	
	SCHNEIDER	ZB4B416	CONTACT BLOCK (NO)	
	MARL	Z15-532-48-38	CONTACT BLOCK LED - 40V	
L4 (IF REQUIRED)	SCHNEIDER	ZB4B433	LAMP HOLDER WITH WHITE LENS	
	SCHNEIDER	ZB4B416	CONTACT BLOCK (NO)	
	MARL	Z15-532-48-38	CONTACT BLOCK LED - 60V	
DAP	AVARA	DAP-SE SA P1002 12--001	OPTICAL ACCESS POINT - SUBSCRIBER END	
SW-1 TO SW-5	SCHNEIDER	HARMONY XB4	3 POSITION SELECTION SWITCH (ILLUMINATED WHITE)	
TH-BP1, TH-BP2	UTULUX	3869	ISOLATING LINK RAIL MOUNTED	118547-1
X1, X3	UTULUX	3820	RAIL MOUNTED TERMINAL	118547-1
X5	WEIDMULLER	ASK1	RAIL MOUNTED FUSE CAT No 37676	
X5	WEIDMULLER	SAKR	RAIL MOUNTED ISOLATING TERM CAT No 41226	

TAGNAME	PART	PART No.	No. OFF
B18	48V DC 'B' BATTERY TERMINATION BOX		
DLAC	DISTRIBUTION LOCAL AUTOMATION CONTROL PANEL		
P1	FIRST TRANSFORMER PROTECTION PANEL		
P2	SECOND TRANSFORMER PROTECTION PANEL		
P3	THIRD TRANSFORMER PROTECTION PANEL		
PC2	CUSTOMER OVERCURRENT No 2 PROTECTION PANEL		
P1B1	FIRST FEEDER PILOT ISOLATION BOX		
P1B2	SECOND FEEDER PILOT ISOLATION BOX		
P1B3	THIRD FEEDER PILOT ISOLATION BOX		
SMB	SIGNAL MARSHALLING BOX		

AMD	DATE	DESCRIPTION	DRAWN BY	DESIGNED BY	CHECKED BY	APPROVED BY
5	17/02/2020	DELETED WIRING TO LAC RELAY & ELECTRONIC SOUNDER AS SHOWN	L.MARTINUZZI	L.MARTINUZZI	M.BENNETT	M.BENNETT
6	29/04/2021	DAP MODULE UPDATED	L.MARTINUZZI	M.BENNETT	L.MARTINUZZI	M.BENNETT
7	20/08/2024	LAC WAS SEL-3530, NETWORK SWITCH WAS RS8000, GENERATOR CONNECTION & CUSTOMER AUTOCLOSING FEATURES REMOVED, LAMPS WERE RAFL	M.B.	M.B.	L.M.	M.B.

FOR ARRANGEMENT WITHOUT CUSTOMER OC No2 SEE 227389 Sh2

TITLE	DWG No.
EPOXY RESIN ENCASED PROTECTION CURRENT TRANSFORMER OUTLINE AND DETAILS	125190-1
RMCB SUBSTATIONS WITH E TYPE LV BOARD WITH OPTICAL ARC FLASH DETECTION FIBRE LOOPING AND GENERAL MOUNTING DETAILS	227350-5
CITY DISTRIBUTION SUBSTATIONS WITH E TYPE LV BOARD AND DAFO CUSTOMER ACB INTERNAL WIRING AND ACB PANEL CONTROL WIRING SCHEMATIC	227390-2
CITY DISTRIBUTION SUBSTATIONS WITH E TYPE LV BOARD AND DAFO TRANSFORMER ACB INTERNAL WIRING AND ACB PANEL CONTROL WIRING SCHEMATIC	227390-1
CITY DISTRIBUTION SUBSTATIONS WITH E TYPE LV BOARD, DAFO, & CUSTOMER OC No1 PROTECTION, DISTRIBUTION AUTOMATION CONTROL PANEL WIRING & CABLING DIAGRAM	227389-2
CITY DISTRIBUTION SUBSTATIONS WITH E TYPE LV BOARD, DAFO, & CUSTOMER OC No1 & No2 PROTECTION, DISTRIBUTION AUTOMATION CONTROL PANEL WIRING & CABLING	227389-1
CITY DISTRIBUTION SUBSTATIONS WITH E TYPE LV BOARD AND DAFO DISTRIBUTION LOCAL AUTOMATION CONTROL PANEL LAYOUT AND LABEL DETAILS	227388-2
CITY DISTRIBUTION SUBSTATIONS WITH E TYPE LV BOARD AND DAFO DISTRIBUTION LOCAL AUTOMATION CONTROL PANEL LAYOUT, WIRING, & CONNECTIONS	227381-1
CITY DISTRIBUTION SUBSTATIONS WITH E TYPE LV BOARD AND OPTICAL ARC FLASH DETECTION CABLE SCHEDULE	227386-2
CITY DISTRIBUTION SUBSTATIONS WITH E TYPE LV BOARD AND OPTICAL ARC FLASH DETECTION CABLING DIAGRAM	227386-1
CITY DISTRIBUTION SUBSTATIONS WITH E TYPE LV BOARD AND DAFO CUSTOMER OC No1 (8 No 2) PROTECTION PANEL WIRING AND CABLE CONNECTIONS	227385-1
CITY DISTRIBUTION SUBSTATIONS WITH E TYPE LV BOARD, OIL TYPE TX, & DAFO, TRANSFORMER PROTECTION PANEL CABLE CONNECTION DIAGRAM	227384-2
CITY DISTRIBUTION SUBSTATIONS WITH E TYPE LV BOARD, OIL TYPE TX, & DAFO, TRANSFORMER PROTECTION PANEL CABLE CONNECTION DIAGRAM	227384-1
CITY DISTRIBUTION SUBSTATIONS WITH E TYPE LV BOARD, OIL TYPE TX, & DAFO, TRANSFORMER PROTECTION PANEL WIRING DIAGRAM	227383-2
CITY DISTRIBUTION SUBSTATIONS WITH E TYPE LV BOARD, DRY TYPE TX, & DAFO, TRANSFORMER PROTECTION PANEL WIRING DIAGRAM	227381-1
CITY DISTRIBUTION SUBSTATIONS WITH E TYPE LV BOARD & DAFO, TRANSFORMERS AND CUSTOMER OVERCURRENT PROTECTION FREE STANDING PANELS LABEL DETAILS	227382-1
CITY DISTRIBUTION SUBSTATIONS WITH OPTICAL ARC FLASH DETECTION (E TYPE LV) TRANSFORMERS AND CUSTOMER OVERCURRENT FREE STANDING PANELS LABEL DETAILS	227381-1
CITY DISTRIBUTION SUB WITH E TYPE LV BOARD AND DAFO, DLAC PANEL SCHEMATIC, GENERAL DC SUPPLIES INTER-PANEL WIRING, FIBRE COMMS & CABLING DIAGRAM	227380-4
CITY DISTRIBUTION SUBSTATIONS WITH E TYPE LV BOARD AND OPTICAL ARC FLASH DETECTION CUSTOMER OVERCURRENT DC SCHEMATIC	227380-3
CITY DISTRIBUTION SUBSTATIONS WITH E TYPE LV BOARD, & OPTICAL ARC FLASH DETECTION TRANSFORMER DC SCHEMATIC	227380-2
CITY DISTRIBUTION SUBSTATIONS WITH E TYPE LV BOARD AND OPTICAL ARC FLASH DETECTION AC SCHEMATIC	227380-1

**REFERENCE DRAWINGS**

SCALE	NTS
DESIGNED	-
DRAWN	E.KAIROUZ/L.MARTINUZZI
CHECKED	L.MARTINUZZI
APPROVED	M.BENNETT
DATE	03/03/2015
TRIM REF	-
PROJECT NUMBER	-

**Ausgrid**  
24 Campbell Street  
SYDNEY NSW 2000  
P: 9272 3805

**CITY DISTRIBUTION SUBSTATIONS WITH E TYPE LV BOARD, DAFO, & CUSTOMER OC No1 & No2 PROTECTION DISTRIBUTION AUTOMATION CONTROL PANEL WIRING & CABLING DIAGRAM**

ISSUED FOR CONSTRUCTION

DRAWING No **227389** SHEET 1 AMD 7 SIZE A0