

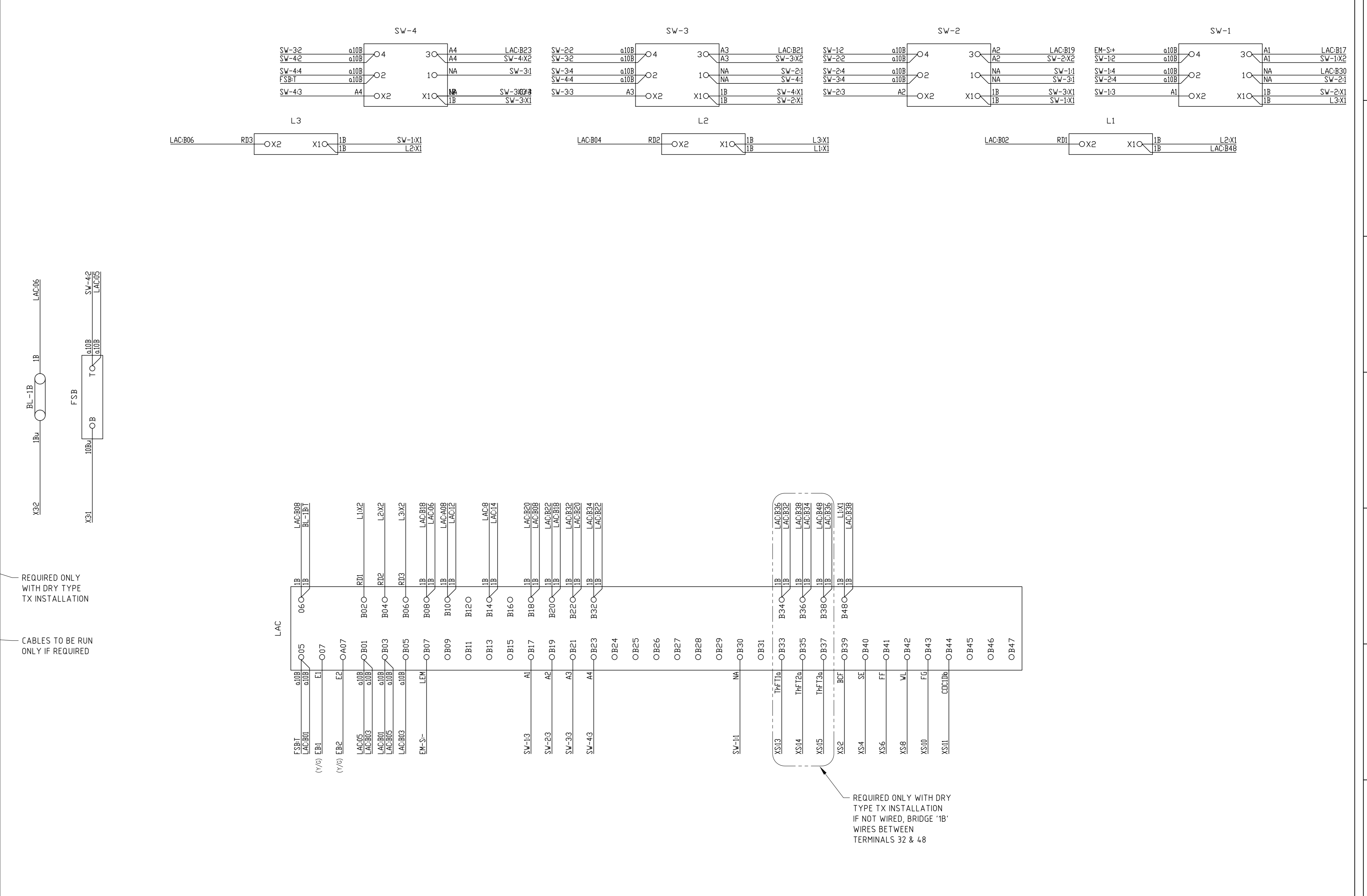
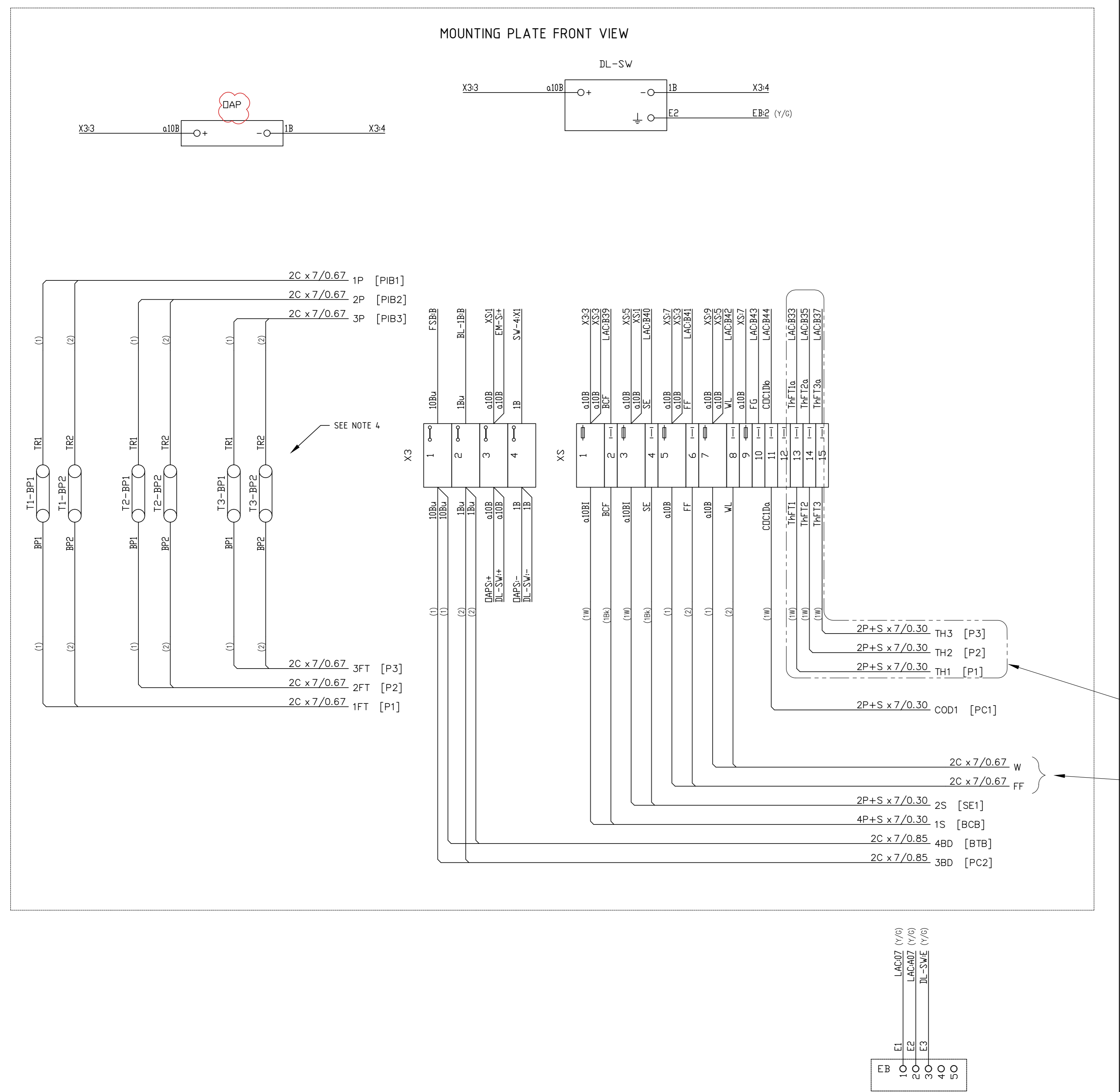
DISTRIBUTION LOCAL AUTOMATION CONTROL PANEL

DLAC

PANEL - FRONT VIEW

HINGED SECTION - REAR VIEW

MOUNTING PLATE FRONT VIEW

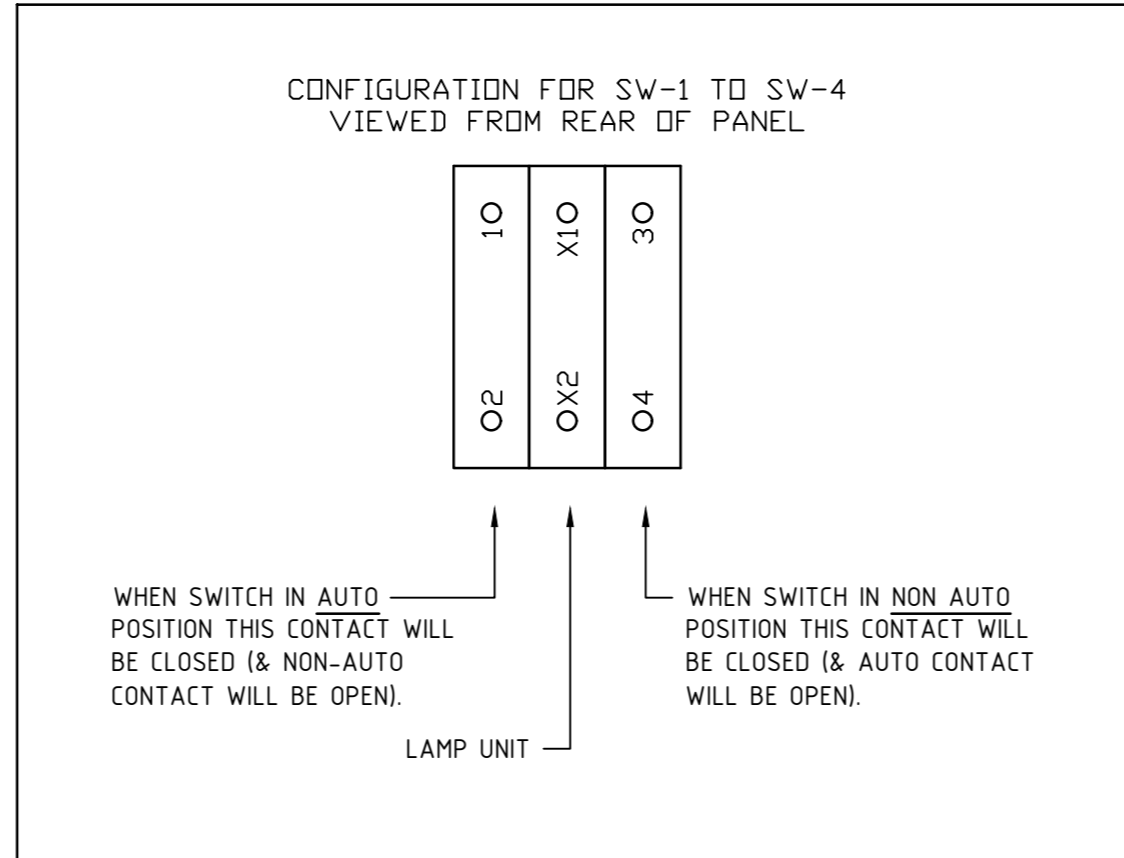


SEE NOTE 5 FOR ITEMS POSSIBLY NOT REQUIRED.

TAGNAME	MFG	CATNO	DESC	REF_DWG
ENCLOSURE	RITTAL	2252 605	WALL MOUNTED ENCLOSURE EL	-
BL	EUGADUP	MOULDED TYPE MS	BATTERY LINK	507111-1
DL-SW	MDS-G420	ETHERNET SWITCH		
EM-S	ASSERTA	AS/PS/PA-407G	ELECTRONIC SOUNDER, GREY, 9 - 60VDC	
FSB	ALSTOM	RS20P Blak	FUSE - 2 STUD BACK CONNECTED	
LAC	SCHWEITZER	SEL-3350	AUTOMATION CONTROLLER	260170-1
L1 TO L3	SCHNEIDER	ZB4B433	LAMP HOLDER WITH GREEN LENS	
	SCHNEIDER	ZB4B436	CONTACT BLOCK (NO)	
	MARL	Z75-332-48-38	GREEN BA9 LED - 60V	
L4	SCHNEIDER	ZB4B433	LAMP HOLDER WITH WHITE LENS	
(IF REQUIRED)	SCHNEIDER	ZB4B436	CONTACT BLOCK (NO)	
	MARL	Z75-332-48-38	WHITE BA9 LED - 60V	
DAP	AVARA	DAP-SE SA P21022 12--001	OPTICAL ACCESS POINT - SUBSCRIBER END	
Sw-1 TO Sw-4	SCHNEIDER	HARMONY XB4	3 POSITION SELECTION SWITCH (ILLUMINATED WHITE)	
TL-BP1, TL-BP2	UTILUX	3869	ISOLATING LINK RAIL MOUNTED	118547-1
X1, X3	UTILUX	3820	RAIL MOUNTED TERMINAL	118547-1
X5	WEIDMULLER	ASK1	RAIL MOUNTED FUSE CAT No 37676	
X5	WEIDMULLER	SAKR	RAIL MOUNTED ISOLATING TERM CAT No 41226	

TAGNAME	PART	PART No.	No. OFF
Sw-1 TO Sw-4	COLLAR	ZB4B2009	4
	LIGHT BLOCK	ZBVBG19	4
	N/O CONTACTS	ZBE101	4
	N/C CONTACTS	ZBE102	4
	HEAD	ZB4BK1213	4

BTB	48V DC 'B' BATTERY TERMINATION BOX
DLAC	DISTRIBUTION LOCAL AUTOMATION CONTROL PANEL
P1	FIRST TRANSFORMER PROTECTION PANEL
P2	SECOND TRANSFORMER PROTECTION PANEL
P3	THIRD TRANSFORMER PROTECTION PANEL
PC2	CUSTOMER OVERCURRENT No 2 PROTECTION PANEL
PIB1	FIRST FEEDER PILOT ISOLATION BOX
PIB2	SECOND FEEDER PILOT ISOLATION BOX
PIB3	THIRD FEEDER PILOT ISOLATION BOX
SMB	SIGNAL MARSHALLING BOX



NOTES:

- ALL PANEL WIRING IS TO BE AS LISTED HERE:
 - DC WIRING IS TO BE 7/0.50, 0.6KV GRADE PVC INSULATED COLOURED GREY.
 - EARTH WIRING IS TO BE 7/0.67, 0.6KV GRADE PVC INSULATED COLOURED GREEN/YELLOW (Y/G).
- ALL WIRING TO HAVE IDENTIFICATION FERRULES FITTED AT BOTH ENDS OF WIRE ADJACENT TO TERMINALS WHERE POSSIBLE. WIRE IDENTIFICATION CODES TO BE IN ACCORDANCE WITH THIS DRAWING.
- PANEL LAYOUT IS REPRESENTATIVE, FOR ACTUAL LAYOUT SEE DWG 227388-1.
- TRIPPING TERMINALS TO BE SUITABLY INSULATED WITH TERMINAL COVER H3822 TO PREVENT ANY ACCIDENTAL SHORTING OF THESE TRIP TERMINALS.

TITLE	DWG No.
EPOXY RESIN ENCASED PROTECTION CURRENT TRANSFORMER OUTLINE AND DETAILS	125190-1
RMCB SUBSTATIONS WITH E TYPE LV BOARD WITH OPTICAL ARC FLASH DETECTION FIBRE LOOPING AND GENERAL MOUNTING DETAILS	227350-5
CITY DISTRIBUTION SUBSTATIONS WITH E TYPE LV BOARD AND DAFO CUSTOMER ACB INTERNAL WIRING AND ACB PANEL CONTROL WIRING SCHEMATIC	227390-2
CITY DISTRIBUTION SUBSTATIONS WITH E TYPE LV BOARD AND DAFO CUSTOMER ACB INTERNAL WIRING AND ACB PANEL CONTROL WIRING SCHEMATIC	227390-1
CITY DISTRIBUTION SUBSTATIONS WITH E TYPE LV BOARD, DAFO, & CUSTOMER OC No1 PROTECTION, DISTRIBUTION AUTOMATION CONTROL PANEL WIRING & CABLING DIAGRAM	227389-2
CITY DISTRIBUTION SUBSTATIONS WITH E TYPE LV BOARD, DAFO, & CUSTOMER OC No1 & No2 PROTECTION, DISTRIBUTION AUTOMATION CONTROL PANEL WIRING & CABLING	227389-1
CITY DISTRIBUTION SUBSTATIONS WITH E TYPE LV BOARD AND DAFO, DISTRIBUTION LOCAL AUTOMATION CONTROL PANEL LAYOUT AND LABEL DETAILS	227388-1
CITY DISTRIBUTION SUBSTATIONS WITH E TYPE LV BOARD AND DAFO, ISOBAYA TX'S AND VENTILATION FAN AC SERVICE BOARD LAYOUT, WIRING, & CONNECTIONS	227381-1
CITY DISTRIBUTION SUBSTATIONS WITH E TYPE LV BOARD AND OPTICAL ARC FLASH DETECTION CABLE SCHEDULE	227386-2
CITY DISTRIBUTION SUBSTATIONS WITH E TYPE LV BOARD AND OPTICAL ARC FLASH DETECTION CABLE CONNECTIONS	227386-1
CITY DISTRIBUTION SUBSTATIONS WITH E TYPE LV BOARD AND DAFO CUSTOMER OC No 1 (8 No 2) PROTECTION PANEL WIRING AND CABLE CONNECTIONS	227385-1
CITY DISTRIBUTION SUBSTATIONS WITH E TYPE LV BOARD, OIL TYPE TX, & DAFO, TRANSFORMER PROTECTION PANEL CABLE CONNECTION DIAGRAM	227384-2
CITY DISTRIBUTION SUBSTATIONS WITH E TYPE LV BOARD, OIL TYPE TX, & DAFO, TRANSFORMER PROTECTION PANEL CABLE CONNECTION DIAGRAM	227384-1
CITY DISTRIBUTION SUBSTATIONS WITH E TYPE LV BOARD, OIL TYPE TX, & DAFO, TRANSFORMER PROTECTION PANEL WIRING DIAGRAM	227383-2
CITY DISTRIBUTION SUBSTATIONS WITH E TYPE LV BOARD, DRY TYPE TX, & DAFO, TRANSFORMER PROTECTION PANEL WIRING DIAGRAM	227383-1
CITY DISTRIBUTION SUBSTATIONS WITH E TYPE LV BOARD & DAFO, TRANSFORMERS AND CUSTOMER OVERCURRENT PROTECTION FREE STANDING PANELS LABEL DETAILS	227382-1
CITY DISTRIBUTION SUBSTATIONS WITH OPTICAL ARC FLASH DETECTION (E TYPE LV) TRANSFORMERS AND CUSTOMER OVERCURRENT FREE STANDING PANELS LAYOUT DETAILS	227381-1
CITY DISTRIBUTION SUB WITH E TYPE LV BOARD AND DAFO, DLAC PANEL SCHEMATIC, GENERAL DC SUPPLIES INTER-PANEL WIRING, FIBRE COMMS & CABLING DIAGRAM	227380-4
CITY DISTRIBUTION SUBSTATIONS WITH E TYPE LV BOARD AND OPTICAL ARC FLASH DETECTION CUSTOMER OVERCURRENT DC SCHEMATIC	227380-3
CITY DISTRIBUTION SUBSTATIONS WITH E TYPE LV BOARD, & OPTICAL ARC FLASH DETECTION TRANSFORMER DC SCHEMATIC	227380-2
CITY DISTRIBUTION SUBSTATIONS WITH E TYPE LV BOARD AND OPTICAL ARC FLASH DETECTION AT SCHEMATIC	227380-1

REFERENCE DRAWINGS

SCALE	NTS
DESIGNED	-
DRAWN	E.KAIROUZ/L.MARTINUZZI
CHECKED	L.MARTINUZZI
APPROVED	M.BENNETT
DATE	03/03/2015
TRIM REF	-
PROJECT NUMBER	-

FOR ARRANGEMENT INCLUDING CUSTOMER OC No2 SEE 227389-1

Ausgrid
24 Campbell Street
SYDNEY NSW 2000
P: 9272 3805

CITY DISTRIBUTION SUBSTATIONS WITH E TYPE LV BOARD, DAFO, & CUSTOMER OC No1 PROTECTION DISTRIBUTION AUTOMATION CONTROL PANEL WIRING & CABLING DIAGRAM

ISSUED FOR CONSTRUCTION

DRAWING No **227389** SHEET 2 AMD 7 SIZE A0

AMD	DATE	DESCRIPTION	DRAWN BY	DESIGNED BY	CHECKED BY	APPROVED BY
5	17/02/2020	DELETED WIRING TO LAC RELAY & ELECTRONIC SOUNDER AS SHOWN	L.MARTINUZZI	L.MARTINUZZI	M.BENNETT	M.BENNETT
6	29/04/2021	DAP MODULE UPDATED	L.MARTINUZZI	M.BENNETT	L.MARTINUZZI	M.BENNETT
7	20/08/2024	LAC WAS SEL-3530, NETWORK SWITCH WAS RS8000, GENERATOR CONNECTION & CUSTOMER AUTOCLOSING FEATURES REMOVED, LAMPS WERE RAFL	M.B.	M.B.	L.M.	M.B.