

A

B

C

D

E

F

A

E

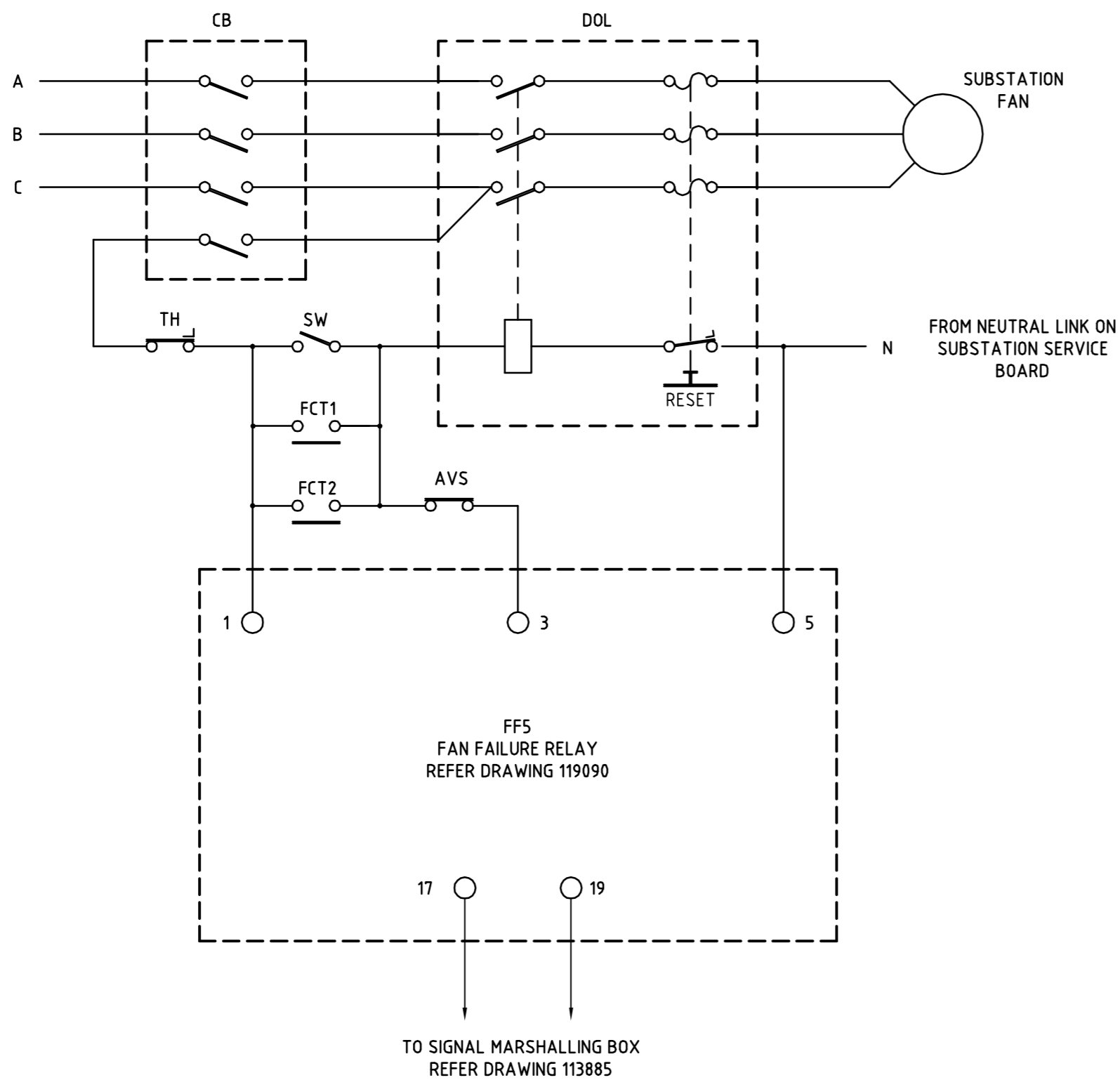
C

C

E

F

REFERENCE DRAWINGS	
CITY DISTRIBUTION SUBSTATIONS WITH E TYPE LV BOARD CABLING DIAGRAM	178233
CITY DISTRIBUTION SUBSTATIONS WITH SUBSTATION FAN CONTROL SERVICE BOARD	121950
CITY DISTRIBUTION SUBSTATION SIGNAL MARSHALLING BOX	113885
CITY DISTRIBUTION SUBSTATIONS AIR VANE SWITCH DETAILS	228913
FAN FAILURE RELAY	119090



NOTES

1. THIS DRAWING IS TO BE READ IN CONJUNCTION WITH NETWORK STANDARDS.
2. THIS DRAWING SHOWS THE CONTROL CIRCUIT FOR THE SUBSTATION FAN FOUND IN BASEMENT AND SURFACE CHAMBER CITY DISTRIBUTION SUBSTATIONS WHICH ARE USUALLY EQUIPPED WITH OIL FILLED TRANSFORMERS. IF DRY TYPE TRANSFORMERS ARE USED, THE SUBSTATION FAN AND FCT UNITS ARE STILL REQUIRED. THE FANS FOR EACH DRY TYPE TRANSFORMER ARE INTERNALLY CONTROLLED BY EACH TRANSFORMER AND ARE NOT CONNECTED INTO THE SUBSTATION FAN CIRCUITRY.
3. THE TH IS MOUNTED ON THE AVS HOUSING. IT IS TO LATCH OPEN AT 70°C AND BE MANUALLY RESET.
4. THE FCT UNITS ARE TO BE MOUNTED ON THE TRANSFORMER CLOSEST TO AND THE TRANSFORMER FURTHEST FROM THE SUBSTATION FAN. THIS IS TO BE CONFIRMED AT EACH SUBSTATION DEPENDING ON TRANSFORMER LAYOUT.

LEGEND			
ITEM	DESCRIPTION	LOCATION	DRAWING
CB	CIRCUIT BREAKERS FOR FAN POWER AND CONTROL	SUBSTATION SERVICE BOARD	121950
DOL	DOL STARTER WITH MOTOR THERMAL PROTECTION	SUBSTATION SERVICE BOARD	121950
TH	FIRE DETECTION THERMOSTAT	AIR VANE SWITCH HOUSING	228913
SW	FAN CONTROL THERMOSTAT SHORTING SWITCH	SUBSTATION SERVICE BOARD	121950
FCT1	FAN CONTROL THERMOSTATS	TRANSFORMER - REFER NOTE 4	
FCT2			
AVS	AIR VANE SWITCH	FAN	228913
FF5	FAN FAILURE RELAY	SUBSTATION SERVICE BOARD	121950

CONSTRUCTION

NETWORK STANDARD
Ausgrid
 DISTRIBUTION OPERATIONS & RELIABILITY
 LOGISTICS AND DISTRIBUTION ENGINEERING
 25-27 POMEROY STREET, HOMEBUSH

SCALE	AS SHOWN
DESIGNED	P.JARVIS
DRAWN	P.JARVIS
CHECKED	B.BIRD
APPROVED	P.TURRIN
DATE	9.9.13
PROJECT NUMBER	PM 02-2013-0-21011
PROJTRAK NUMBER	

CITY DISTRIBUTION SUBSTATIONS
 MARK IV
 SUBSTATION FAN CONTROL
 SCHEMATIC

SIZE	DRAWING No	SHEET	AMD
A2	228912	1	0

CAD DRAWING
 DO NOT MANUALLY AMEND
 AMENDMENTS