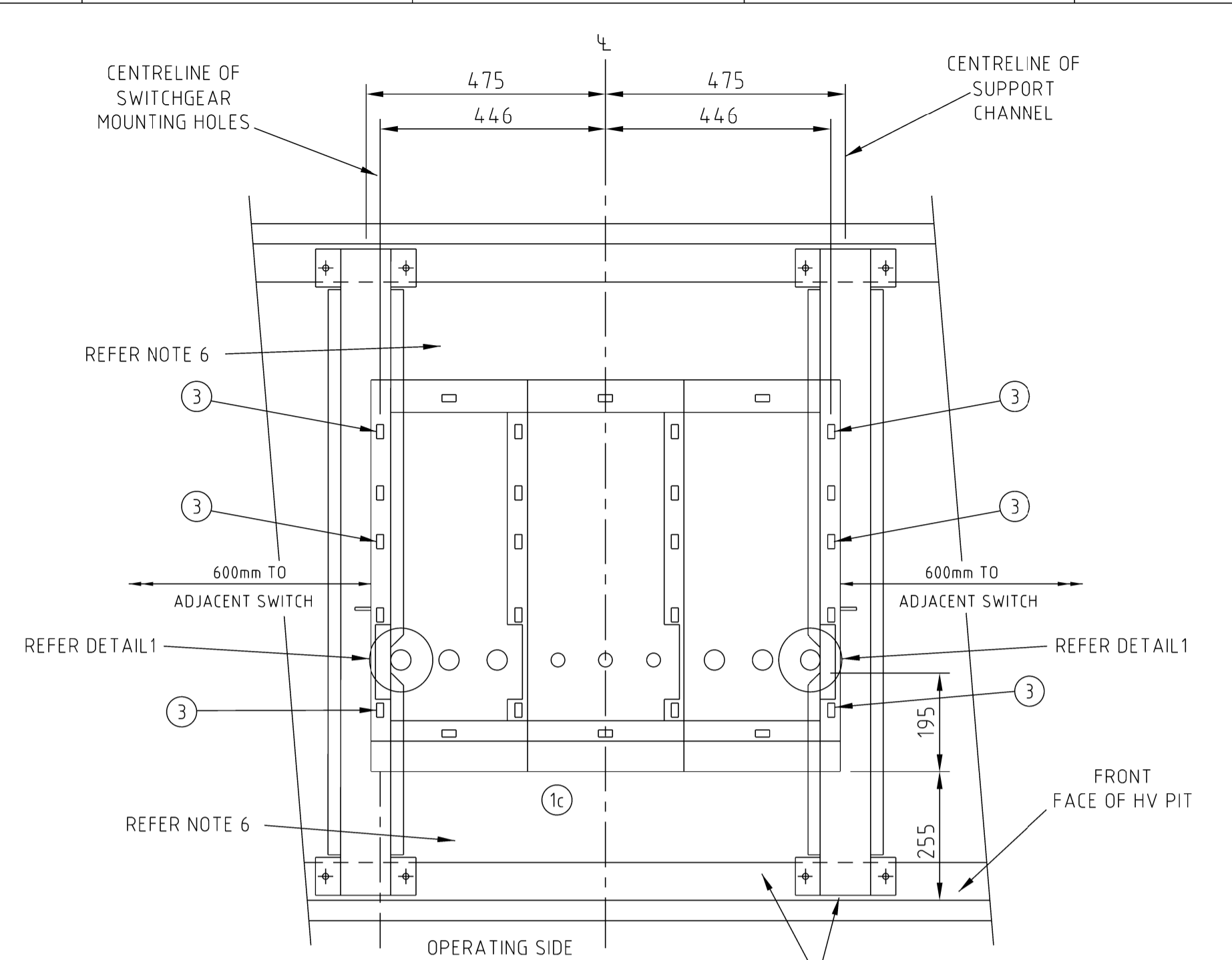
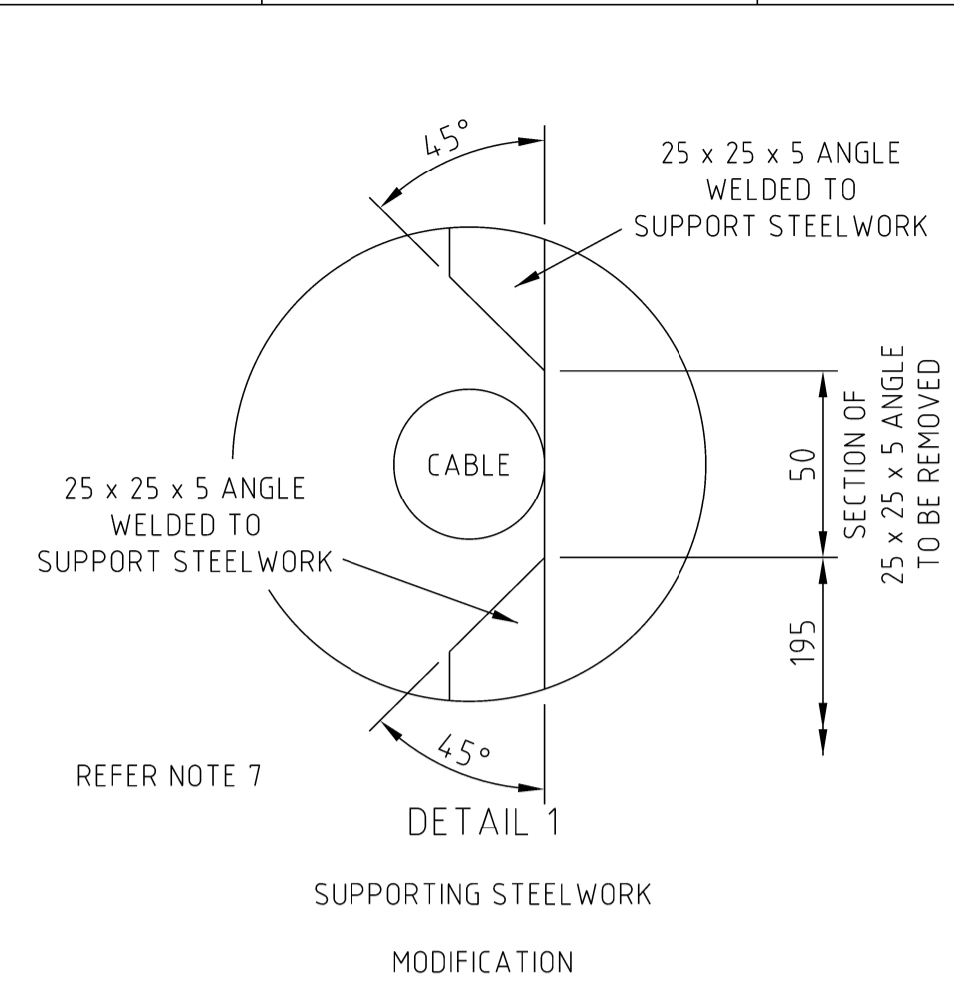


SECTION A-A
RMI (RTR) AND RMCB (RLR) VERSIONS
FOR SUBURBAN SUBSTATIONS ONLY
SCALE 1:10



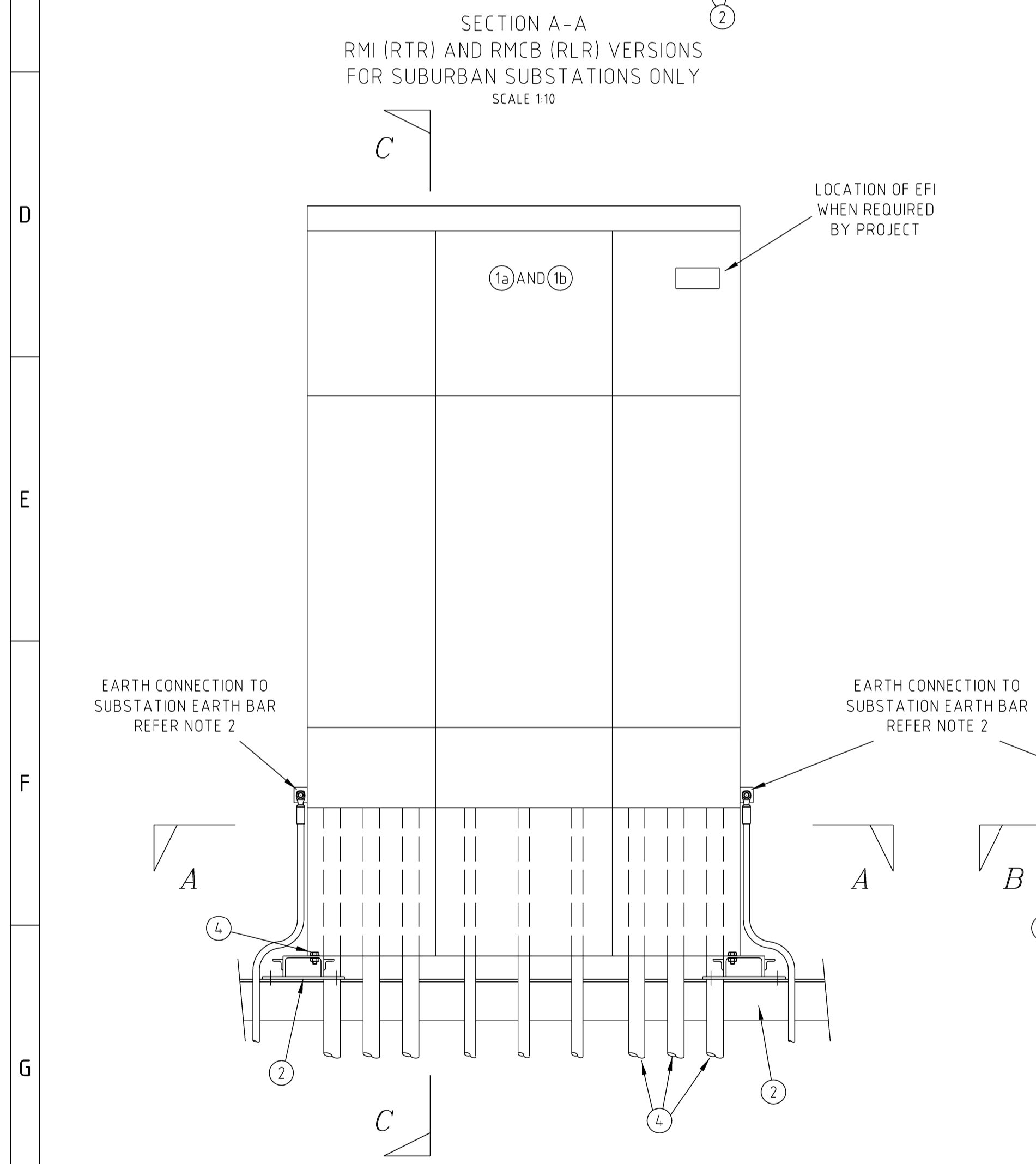
SECTION B-B
3 WAY I&E (RRR) VERSION
FOR CBD SUBSTATIONS ONLY
SCALE 1:10



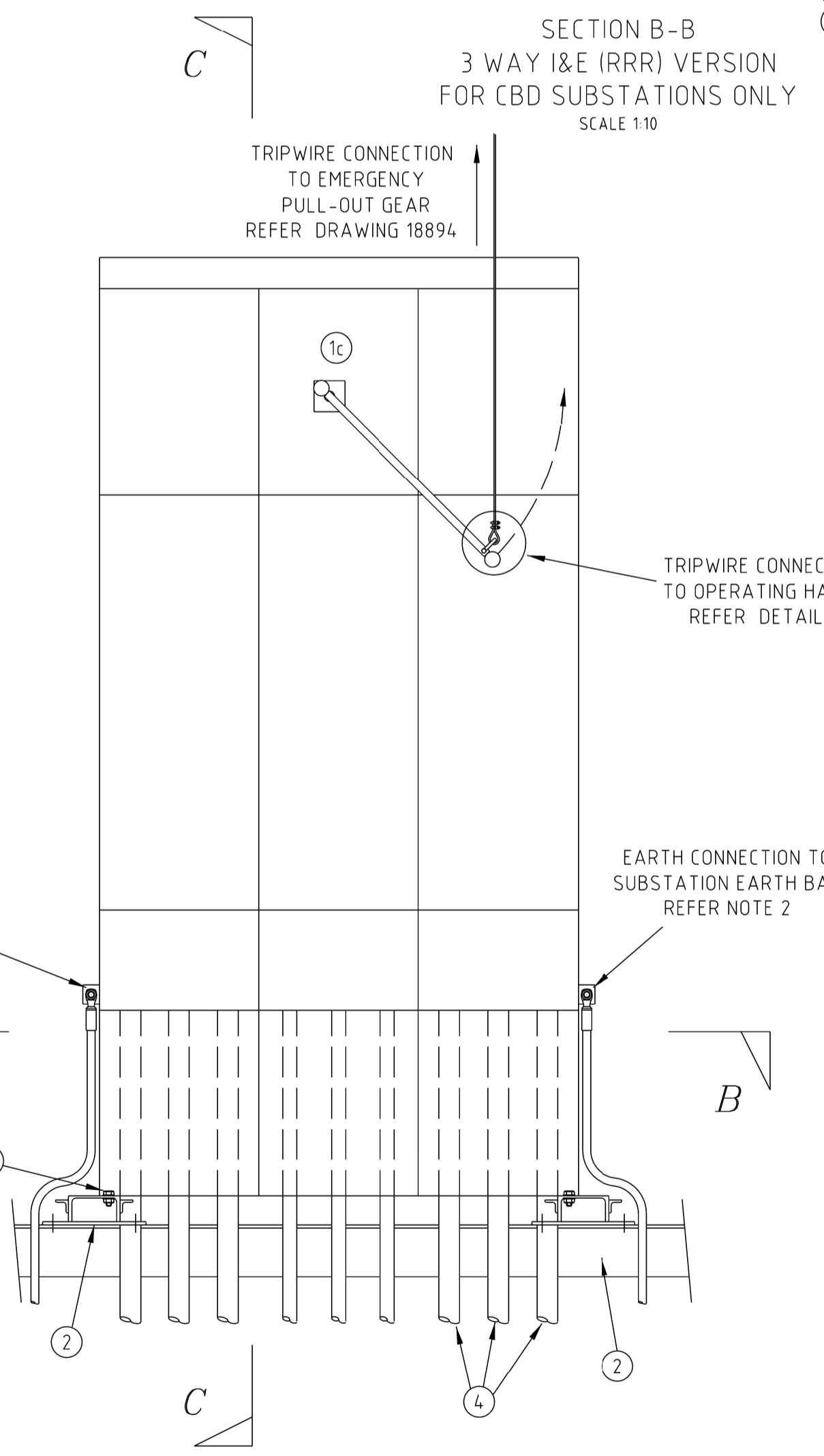
REFERENCE DRAWINGS

HV PIT CONSTRUCTION AND SUPPORTING STEELWORK	191085
CBD EMERGENCY PULL-OUT GEAR TYPICAL LAYOUT	18894

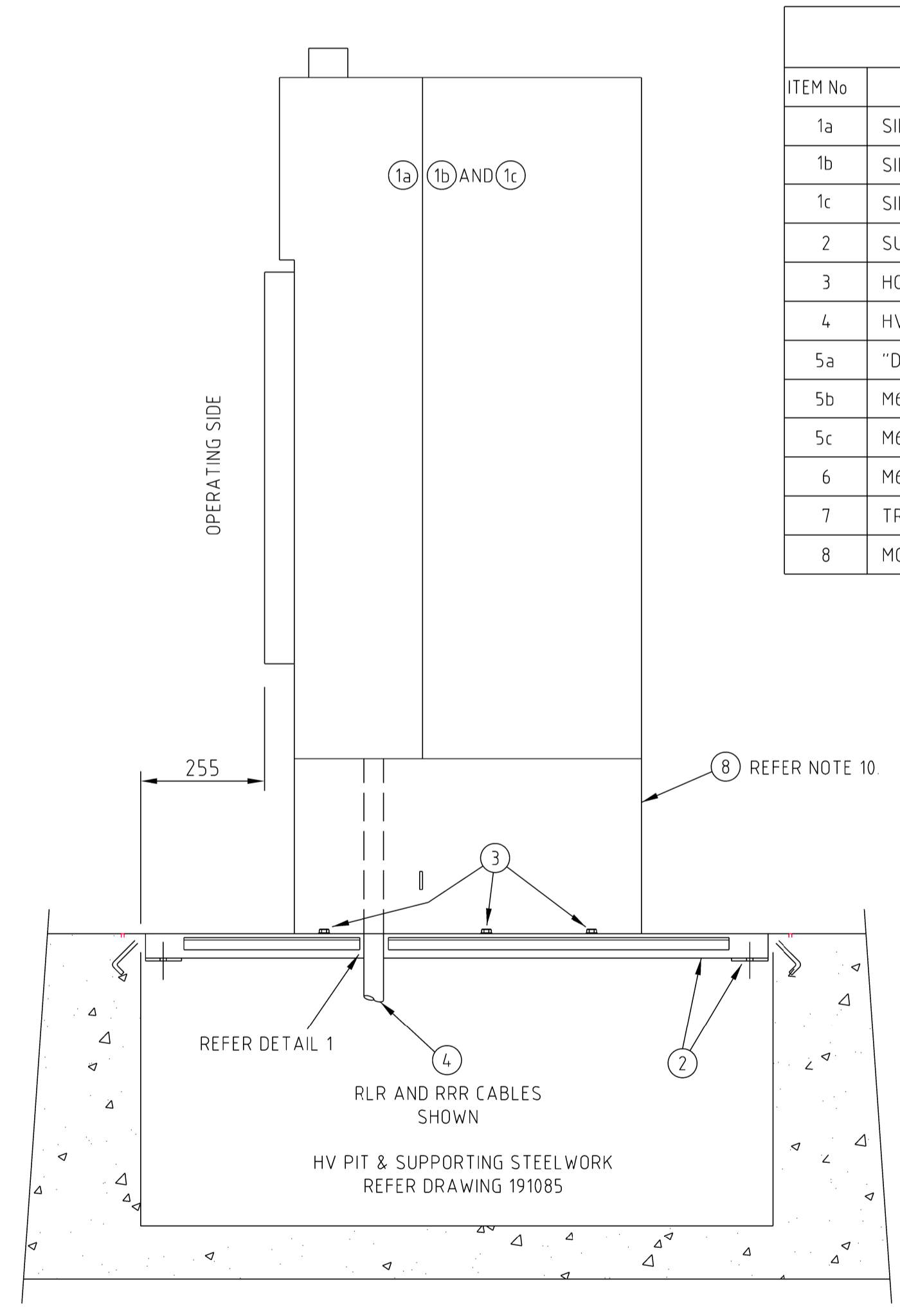
- NOTES**
- THIS DRAWING OUTLINES THE WORK REQUIRED TO INSTALL SIEMENS 8DJH SWITCHGEAR IN RMI (RTR VERSIONS), RMCB (RLR VERSION) AND 3 WAY I&E SWITCH (RRR VERSION) CONFIGURATION OVER THE HV SWITCHGEAR PIT SHOWN ON DRAWING 191085 AND IS TO BE READ IN CONJUNCTION WITH THE SUBSTATION LAYOUT DRAWING AND AUSGRID'S NETWORK STANDARDS. THIS DRAWING DOES NOT SHOW CABLE SCREEN EARTHING REFER TO NS114 AND NS177 FOR FURTHER INFORMATION. EACH SWITCH HAS TWO SWITCH TO SUBSTATION EARTH BAR CONNECTIONS. THESE ARE TO BE MADE USING THE 70mm² COPPER CABLE FOUND ON STOCK CODE 60111 WITH CABLE LUGS TO STOCK CODE 70431.
 - THE HV SWITCH IS TO BE MOUNTED ON THE SUPPORTING STEELWORK DETAILED ON DRAWING 191085 TO THE DIMENSIONS SHOWN ON THIS DRAWING.
 - THE SPACING OF THE SUPPORTING STEELWORK IS TO BE ADJUSTED TO SUIT THE HV SWITCH.
 - THE SUPPORTING STEELWORK IS TO BE DRILLED ON SITE TO SUIT THE HV SWITCH.
 - IF HV SWITCH SETOUT RESULTS IN AN UNCOVERED SPACE BETWEEN THE SWITCH AND THE END OF THE PIT, THE SPACE MUST BE COVERED WITH 6mm FLOOR PLATE AS DETAILED IN NOTE 10. DIFFERENT MOUNTING STANDS MAY BE UTILISED. REFER TO DRAWING 191085 FOR FURTHER DETAILS.
 - PROVIDE THE CUTOUT, AS SHOWN IN DETAIL 1, IN SUPPORTING STEELWORK TO ALLOW HV FEEDER CABLES TO CLEAR STEELWORK.
 - FOR THE 3 WAY I&E SWITCH (RRR VERSION) OF THE SWITCHGEAR, THE EXISTING HOLE IN THE OPERATING HANDLE IS TO BE DRILLED OUT TO ACCEPT A "D" SHACKLE AS SHOWN IN DETAIL 2. THE TRIPWIRE IS TO BE CONNECTED TO THE "D" SHACKLE AS DETAILED BY NOTE 2 OF DRAWING 18894.
 - PROTECTION CT'S ARE TO BE MOUNTED ON THE TRANSFORMER TO DRAWING 162655.
 - AUSGRID PURCHASED SIEMENS 8DJH RTR AND RLR. ARE NOT SUPPLIED WITH A MOUNTING STAND. ITEM 8 - AUSGRID STOCKCODE 186516 IS REQUIRED UNLESS PURCHASED DIRECTLY FROM SIEMENS WITH MOUNTING STAND. SIEMENS 8DJH RRR IS SUPPLIED WITH SIEMENS MOUNTING STAND.



FRONT ELEVATION
RMI (RTR) AND RMCB (RLR) VERSIONS
FOR SUBURBAN SUBSTATIONS ONLY
SCALE 1:10



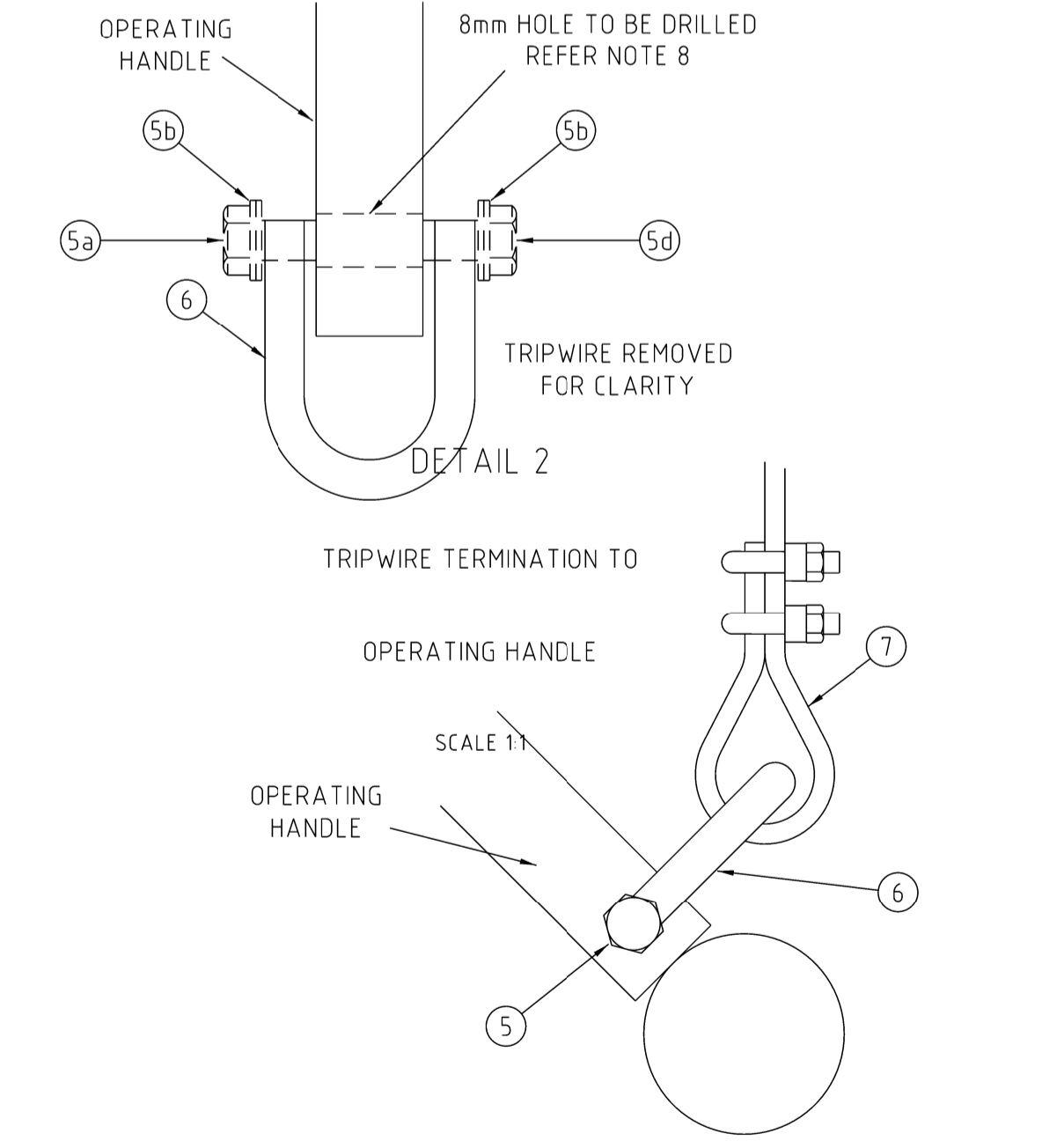
FRONT ELEVATION
3 WAY I&E (RRR) VERSION
FOR CBD SUBSTATIONS ONLY
SCALE 1:10



SECTION C-C
ALL SWITCH VERSIONS
SCALE 1:10

MATERIAL LIST

ITEM No	DESCRIPTION	REMARKS	No. OFF
1a	SIEMENS 8DJH RMI (RTR)	STOCKCODE 185192	1
1b	SIEMENS 8DJH RMCB (RLR)	STOCKCODE 185193	1
1c	SIEMENS 8DJH I&E (RRR)	STOCKCODE 185191	1
2	SUPPORTING STEELWORK	REFER DRAWING 191085	4
3	HOLD DOWN BOLTS	M10 GALVANISED BOLTS, NUTS & WASHERS	6
4	HV CABLES	AS PER DESIGN INFORMATION PACKAGE	9
5a	"D" SHACKLE CONNECTING BOLT	M6 x 40mm STAINLESS STEEL 316	1
5b	M6 FLAT WASHERS	M6 FLAT STAINLESS STEEL 316	4
5c	M6 NYLOC NUT	M6 NYLON INSERT NUT	1
6	M6 "D" SHACKLE	6mm x 25mm x 42mm STAINLESS STEEL 316	1
7	TRIP WIRE CABLE	REFER DRAWING 18894	1
8	MOUNTING STAND FOR RTR AND RLR	STOCKCODE 186516	1



CAD DRAWING
DO NOT MANUALLY AMEND
AMENDMENTS
1. SUBSTATION EARTH BAR CONNECTIONS ADDED TO SWITCHES.
NOTE 2 ALTERED CLEARANCE BESIDE SWITCHES ALTERED.
PN 129021840
P. JARVIS 30/4/19
CHECKED - J. WALKER
APPROVED - M. GIBSON
2. NOTE 10 ADDED AND ITEM 8 ADDED TO MATERIAL LIST.
G. HUGHES 18/8/22
CHECKED - C. MABBUTT
APPROVED - G. FORD
DWN.P.P.
CHKD.C.M.
APP'D.G.F.
DATE: 15/08/2023
NOTES 6 & 10 AMENDED

CONSTRUCTION

NETWORK STANDARD
Ausgrid
ASSET ENGINEERING, POLICY AND STANDARDS TRANSMISSION & DISTRIBUTION
SUBSTATION ENGINEERING 570 GEORGE STREET, SYDNEY

SCALE	AS SHOWN
DESIGNED	C. MABBUTT
DRAWN	C. MABBUTT/P. JARVIS
CHECKED	J. WALKER
APPROVED	M. GIBSON
DATE	01/03/19
PROJECT NUMBER	129021840
PROJTRAK NUMBER	

CUSTOMER CHAMBER TYPE SUBSTATIONS
INSTALLATION OF SIEMENS 8DJH SWITCHGEAR

SIZE: A1
DRAWING No: 234377
SHEET: 1
AMD: 3