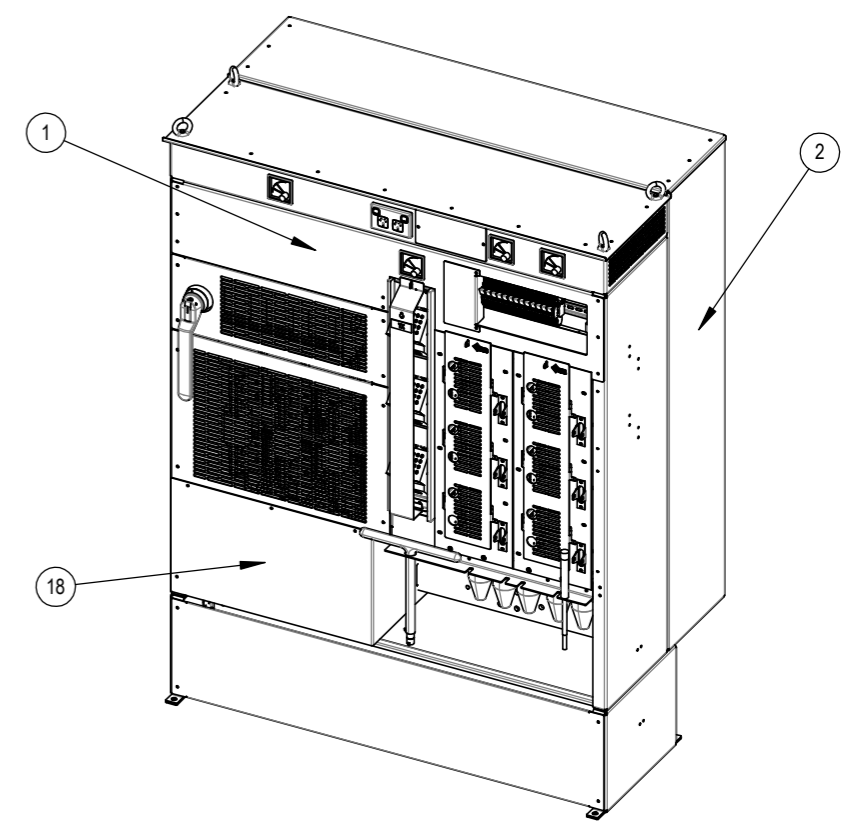
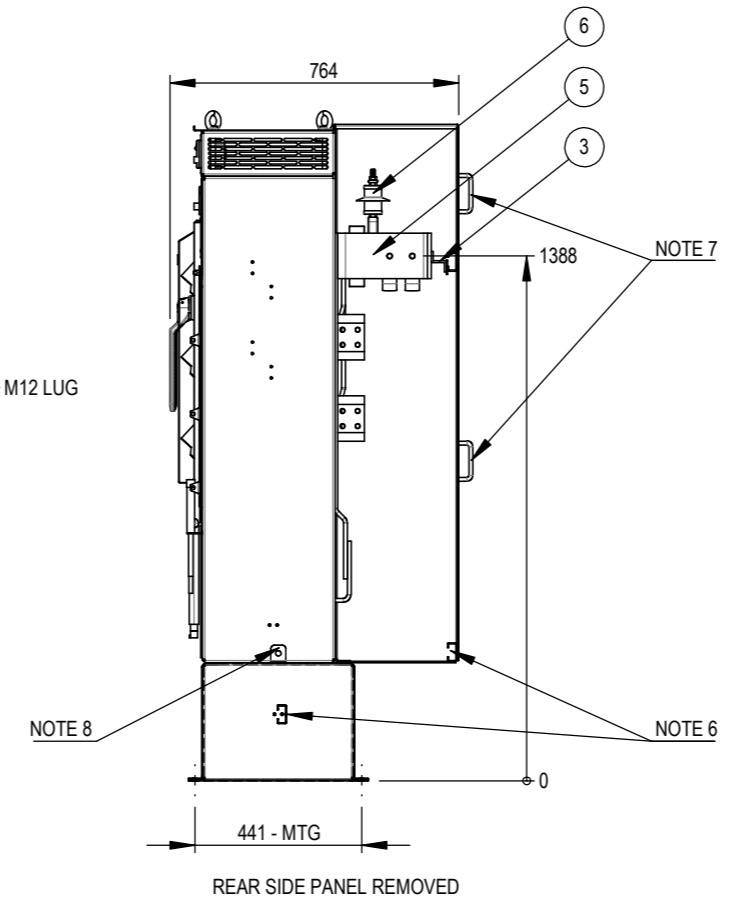
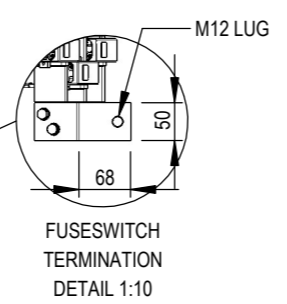
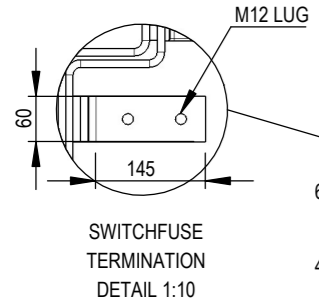
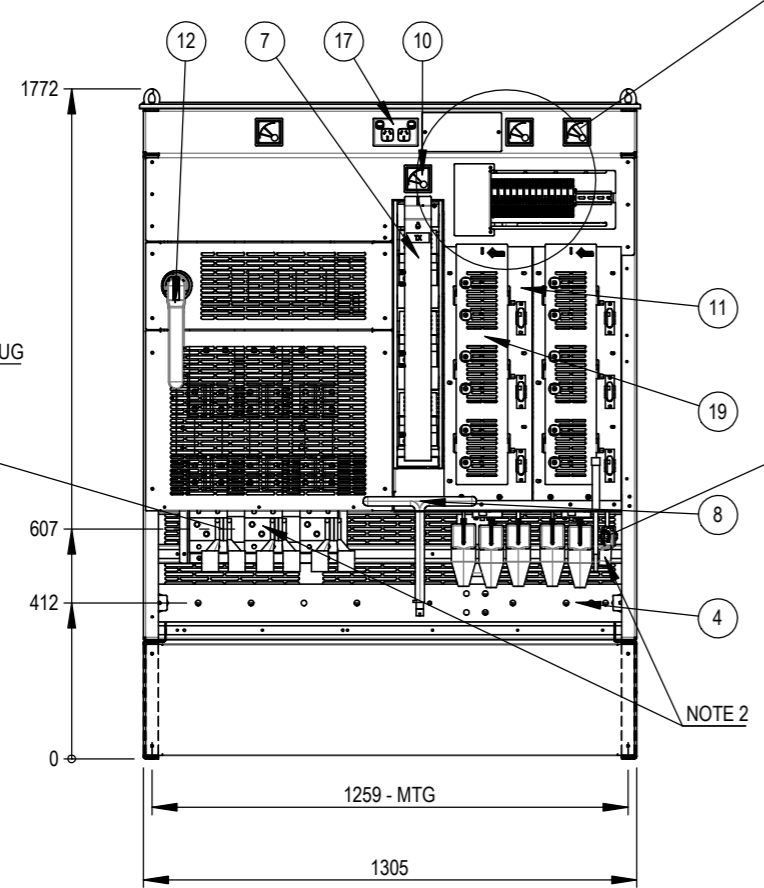


NO.	QTY.	PART NO.	DESCRIPTION
1	1	00015-SA08	POWDERCOATED SHEETMETAL
2	1	00015-SA14	POWDERCOATED SHEETMETAL
3	3	LVZIT	BUSBAR, TXF CONNECTION SUPPORT
4	1	00015-C014	NEUTRAL BAR 100x10mm CU (ON INSULATORS)
5	1	00015-CA17	120x10 CU - TXF CONNECTION TAGS
6	3	ACC-LVSD415V	SURGE ARRESTER - 415V 5kA
7	1	25003P	2500A TXF DISCONNECTOR + LOCKING COVER
8	1	25003_001	TXF DISCONNECTOR OPERATING HANDLE
9	1	EFE-77127.2973	CT, 2000/5, PSA1254, CL1, 10VA, MID PHASE
10	4	MA-5	MAXIMUM DEMAND INDICATOR, MID PHASE
11	2	VSJ0630BE-001	400A F/S BOTTOM CONNECT, CT FITTED, HANDLE INCLUDED
12	1	ABB-OT2000E03K	ABB 2000A DIRECT HANDLE LBS
13	3	EFE-77125.2863	CT, 1600/5, PSA1034, 120%
14	3	FH-32	VOLTAGE TEST POINT FUSES 6A
15	5	WAG-2006-1201	VOLTAGE TEST POINT TERMINALS (INCLUDES N)
16	13	WAG-2007-8821	CT TEST/SHORTING TERMINALS (SET OF 2)
17	1	2P-GPO-KIT	10A FUSE + DOUBLE GPO
18	1	00015-P014	SWITCH FUSE TERMINAL COVER
19	2	P01806300201	FUSE SWITCH TOUCH COVER

- NOTES:
1. THE LV ASSEMBLY IS DEAD FRONT WITH FLEXIBLE INSULATING BOOTS FITTED TO DISTRIBUTOR TERMINALS. ASSEMBLY IS IP21 FROM THE TOP ONLY. THE COVERS DO NOT PROTECT PURPOSEFUL TOUCH FROM UNDERNEATH.
 2. TERMINAL COVER REMOVED TO SHOW CUSTOMER CONNECTION HEIGHT.
 3. INCOMING CONNECTION SUITABLE FOR MAXIMUM 4x 500mm² M12 LUGS PER PHASE + N.
 4. SWITCH FUSE SUITABLE FOR MAXIMUM 4x 500mm² M12 LUGS PER PHASE
 5. FUSE SWITCH SUITABLE FOR MAXIMUM 1x 300mm² M12 LUGS PER PHASE
 6. REMOVABLE CABLE CLAMP RAILS, OPEN BOTTOM CABLE ENTRY
 7. REMOVEABLE PANELS FOR TXF CONNECTION ACCESS
 8. EARTHING TERMINAL STUDS PROVIDED ON BOTH LHS AND RHS OF ENCLOSURE



AUSGRID : 265238-1

NOT FOR CONSTRUCTION

PROJECT: ASUGRID KIOSK - STOCKCODE: 181835			WEBER SOUTH PACIFIC PTY LTD PO BOX 4264 Eight Mile Plains Queensland Australia TEL. (07) 3841 6899 FAX. (07) 3841 6877 EMAIL:- sales@webersouthpacific.com.au		Scale: 1:20	Standard: AS/NZS 61439.2	Client: AUSGRID	Size: A3
ASSEMBLY ID: VF223209-AUS06			DESCRIPTION: 2500A TXF DISCONNECTOR+1600A S/F+2X400A F/S		DO NOT SCALE	Drawing: GENERAL ARRANGEMENT	Part Number: VF223209-AUS06	Type: 3D
RATINGS: 2000A, 415V, 30kA 3s, FORM 1, IP (NOTE 1)		INSTALLATION TYPE: LV CHAMBER SUBSTATION		Tolerance: ± 5 UNO	SHEET 1 OF 1		Drawing Number: 00015-GA15	Revision: B
REV	DATE	DESCRIPTION	DWN	APP	WEIGHT: 510 kg			