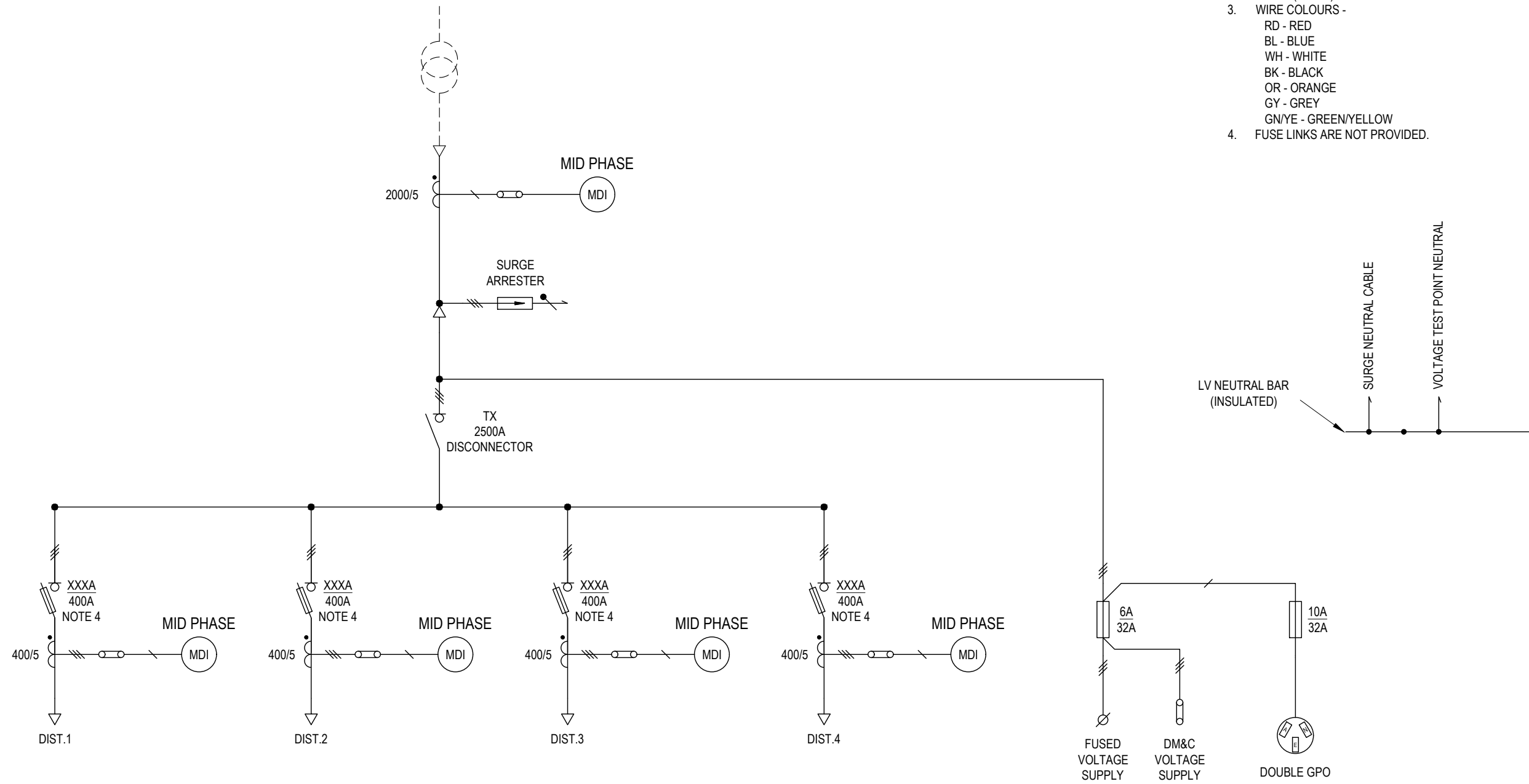


- NOTES
- THE LV ASSEMBLY IS DEAD FRONT WITH FLEXIBLE INSULATING BOOTS FITTED TO DISTRIBUTOR TERMINALS. ASSEMBLY IS IP21 FROM THE TOP ONLY. THE COVERS DO NOT PROTECT PURPOSEFUL TOUCH FROM UNDERNEATH.
 - PHASE IDENTIFICATION
 - T (Top) - L1 - RED
 - M (Middle) - L2 - WHITE
 - B (Bottom) - L3 - BLUE
 - WIRE COLOURS -
 - RD - RED
 - BL - BLUE
 - WH - WHITE
 - BK - BLACK
 - OR - ORANGE
 - GY - GREY
 - GN/YE - GREEN/YELLOW
 - FUSE LINKS ARE NOT PROVIDED.

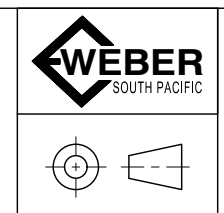


AUSGRID : 265241-2

NOT FOR CONSTRUCTION

REV	DATE	DESCRIPTION	DWN	APP
B	03/07/2023	ADDED GPO	P.W	J.J
A	28/02/2023	INITIAL SINGLE LINE	P.W	J.J

PROJECT: AUSGRID CHAMBER - STOCKCODE: 181791
 ASSEMBLY ID: VF224169-AUS03
 DESCRIPTION: 2500A TXF DISCONNECTOR + 4X400A F/S
 RATINGS: 1600A, 415V, 30kA 3s, FORM 1, IP (NOTE 1)
 INSTALLATION TYPE: LV CHAMBER SUBSTATION



WEBER SOUTH PACIFIC PTY LTD
 PO BOX 4264 Eight Mile Plains
 Queensland Australia
 TEL. (07) 3841 6899
 FAX. (07) 3841 6877
 EMAIL- sales@webersouthpacific.com.au

Scale: NTS
 DO NOT SCALE
 Tolerance: N/A
 ALL DIMENSIONS IN MM UNLESS NOTED OTHERWISE

Standard: AS/NZS 61439.2
 Drawing: SINGLE LINE
 SHEET 1 OF 1

Client: AUSGRID
 Part Number: VF224169-AUS03
 Drawing Number: 00015-SL19
 Size: A3
 Type: 2D
 Revision: B