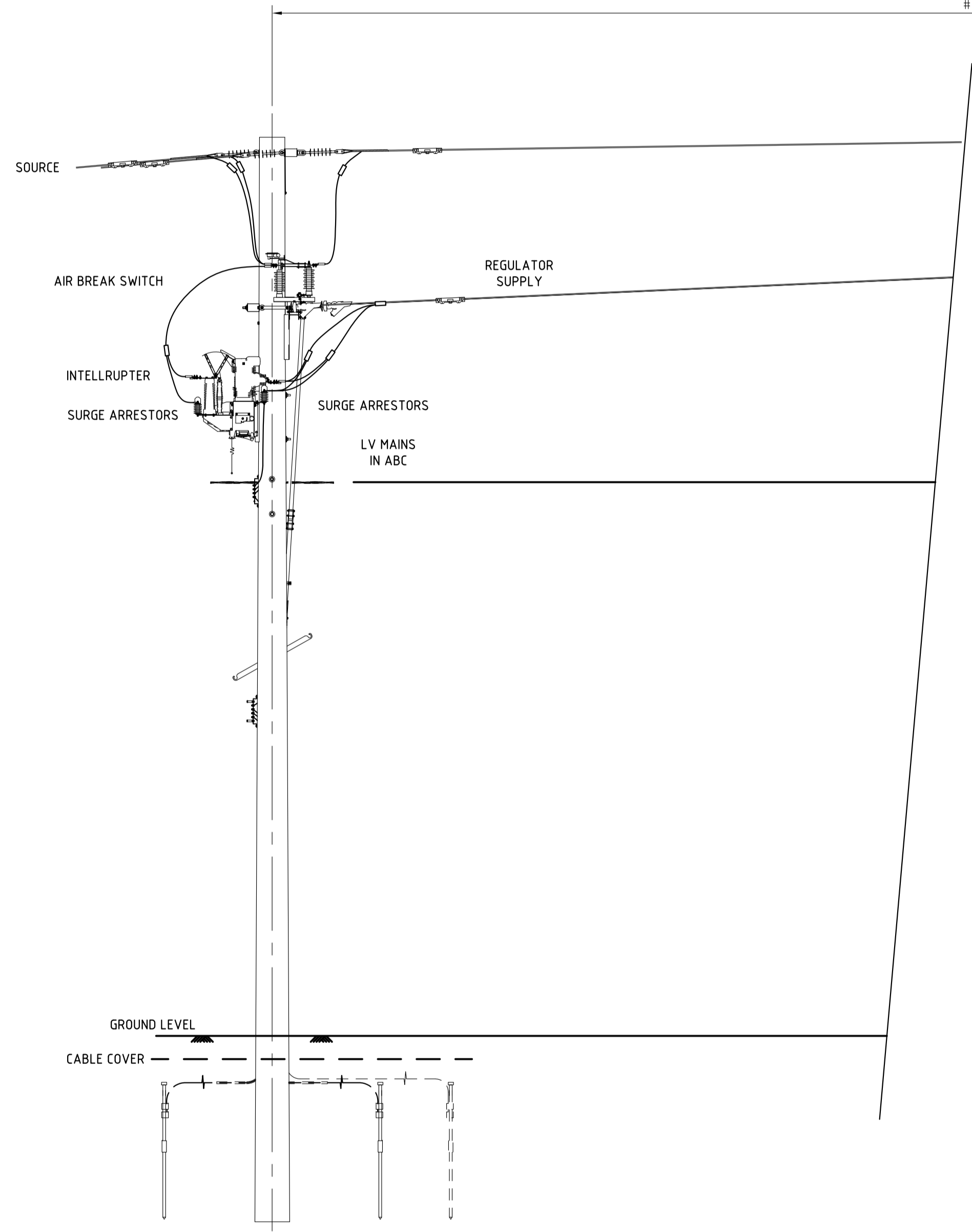
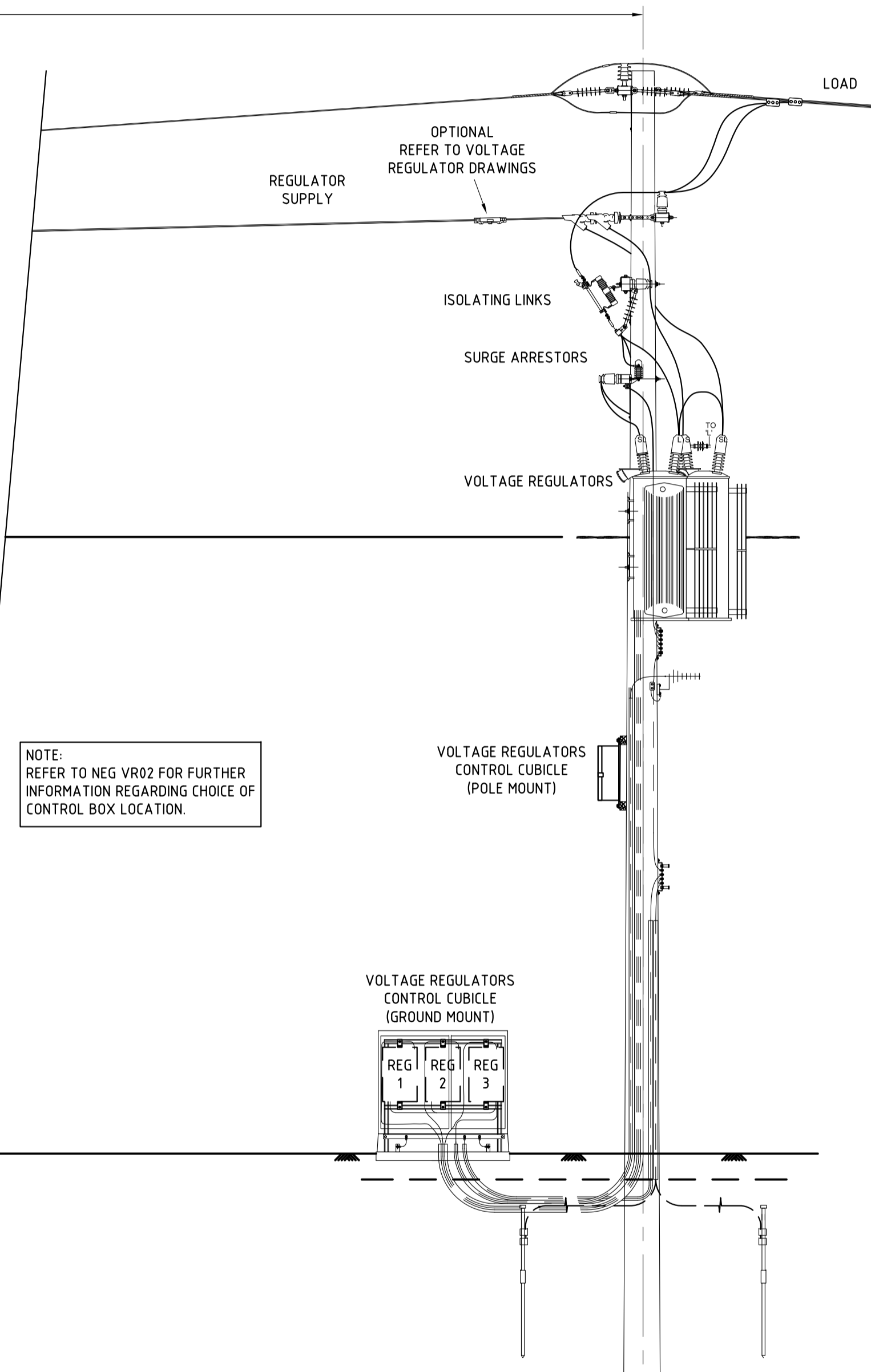


THE DISTANCE BETWEEN POLES IS TO BE CALCULATED FOR EACH SITE BY REGIONAL PROTECTION STAFF. REFER TO NEG VR02 FOR FURTHER INFORMATION

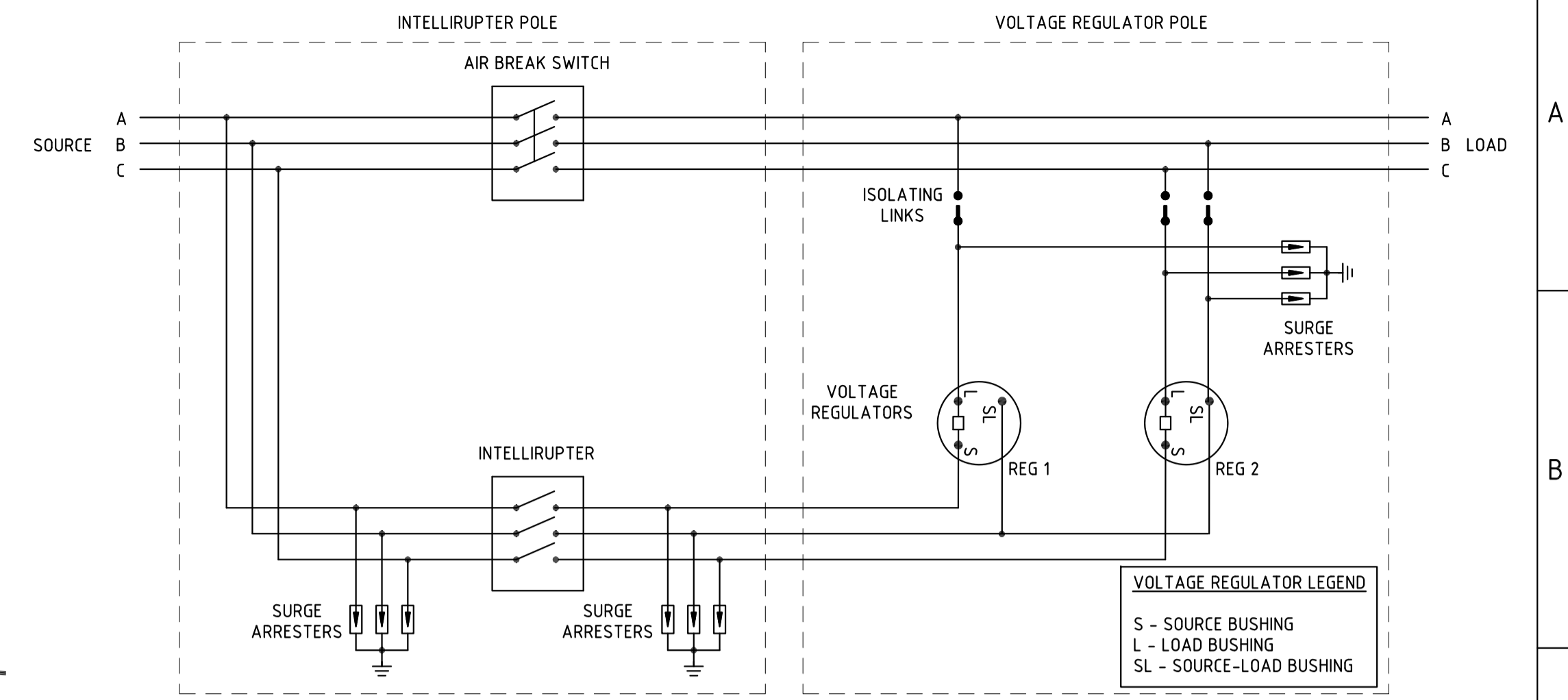


**S&C INTELLIRUPTER CONTROLLING POLE MOUNTED REGULATOR**  
REFER DRAWING 244230  
(DRAWING 224228 FOR TIMBER POLES IS FOR RECORD PURPOSES ONLY)  
SCALE 150

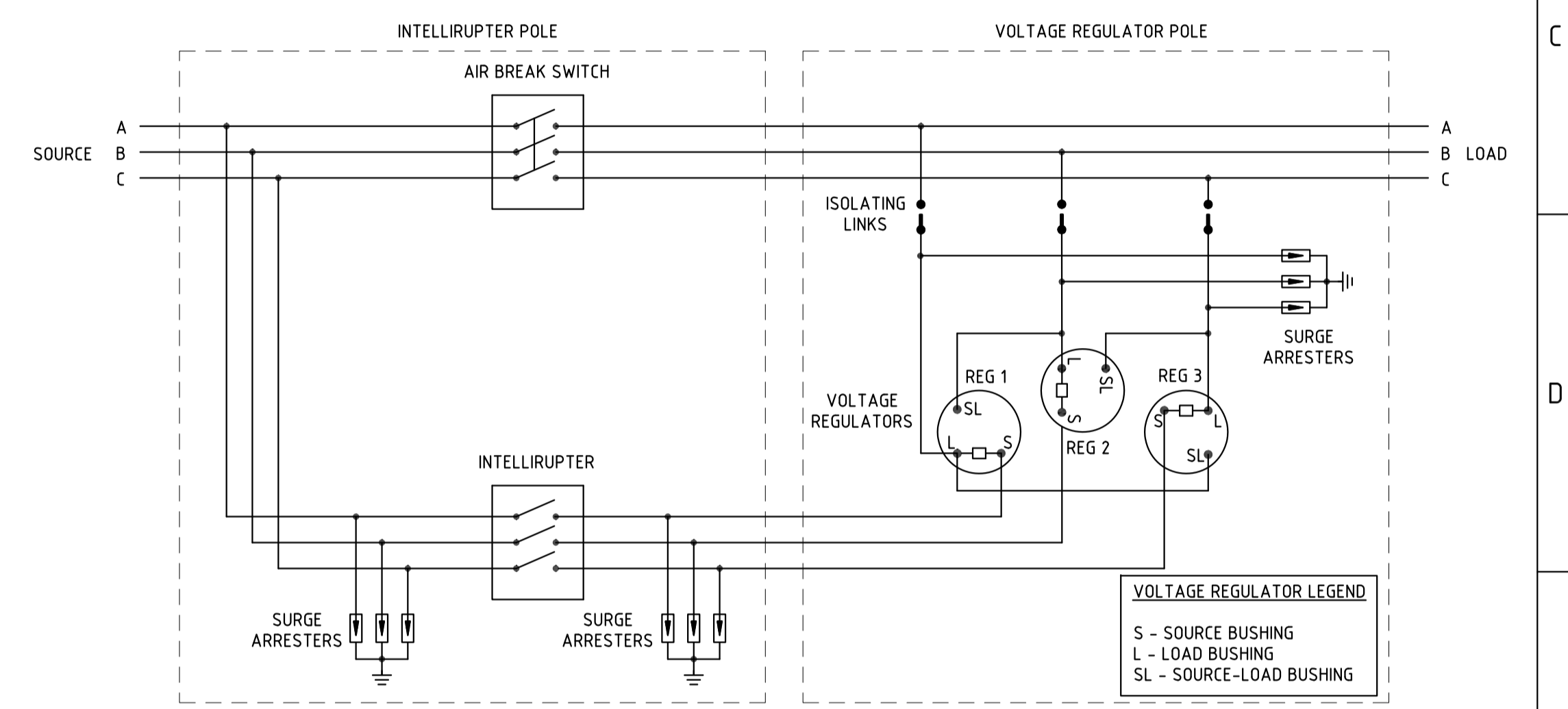
AN EARTHING DESIGN MUST BE UNDERTAKEN FOR EACH SITE. THE EARTHING SHOWN ON THIS DRAWING IS INDICATIVE ONLY.



**EATON COOPER POWER SYSTEMS POLE MOUNTED REGULATOR**  
2 UNIT POLE MOUNTED REGULATOR WITH GROUND MOUNT CONTROL PANEL - REFER DRAWING 224401  
2 UNIT POLE MOUNTED REGULATOR WITH POLE MOUNT CONTROL PANEL - REFER DRAWING 224402  
3 UNIT POLE MOUNTED REGULATOR WITH GROUND MOUNT CONTROL PANEL - REFER DRAWING 224229  
SCALE 150



**SCHEMATIC**  
TWO SINGLE PHASE REGULATOR UNITS CONNECTED IN OPEN DELTA



**SCHEMATIC**  
THREE SINGLE PHASE REGULATOR UNITS CONNECTED IN CLOSED DELTA

THIS DRAWING IS TO BE READ IN CONJUNCTION WITH NEG VR02

| REFERENCE DRAWINGS   |        |
|--|--------|
| 11kV POLE MOUNTED VOLTAGE REGULATOR CONTROLLING INTELLIRUPTER                                  | 244230 |
| 11kV POLE MOUNTED VOLTAGE REGULATOR CONTROLLING INTELLIRUPTER (RECORD PURPOSES ONLY)           | 224228 |
| 11kV POLE MOUNTED 2 UNIT VOLTAGE REGULATOR WITH GROUND MOUNT CONTROL PANELS                    | 224401 |
| 11kV POLE MOUNTED 2 UNIT VOLTAGE REGULATOR WITH POLE MOUNT CONTROL PANELS                      | 224402 |
| 11kV POLE MOUNTED 3 UNIT VOLTAGE REGULATOR WITH GROUND MOUNT CONTROL PANELS                    | 224229 |
| EATON COOPER POWER SYSTEMS 100A & 200A POLE MOUNTED REGULATOR MOUNTING FRAME                   | 181618 |
| 11kV POLE MOUNTED VOLTAGE REGULATOR GROUND MOUNTED FIBREGLASS CABINET CONCRETE FOOTING DETAILS | 191227 |
| 11kV POLE MOUNTED VOLTAGE REGULATOR TIMBER CROSSARM DRILLING DETAIL                            | 224230 |

CAD DRAWING  
DO NOT MANUALLY AMEND  
A M E N D M E N T S  
1. TWO SINGLE PHASE  
REGULATOR UNIT SCHEMATIC  
ADDED.  
CONTROL BOX INSTALLATION  
OPTIONS ADDED.  
REFERENCE DRAWINGS 224401  
REFER TO NEG VR02  
ADDED.  
P/N: PM02-02010-1-3-1  
C. MABBUTT 03/11/11  
CHECKED: P. JARVIS  
APPROVED: P. JARVIS  
2. INTELLIRUPTER EARTH ROD  
ARRANGEMENT CORRECTED.  
EARTHING NOTE ADDED.  
PN PM 02-2010-1-3-1  
P. JARVIS 16/12  
CHECKED: M. ANDREWS/MOKELLY  
APPROVED: P. GUNATILLEKE  
3. CCT EARTHING POINT AND  
COVER ADDED TO REGULATOR  
SUPPLY CABLE  
INTELLIRUPTER REFERENCE  
DRAWINGS ALTERED.  
VOLTAGE REGULATOR  
ALIGN WITH CURRENT  
P. JARVIS 25/7/18  
PN 129029840  
CHECKED: C. MABBUTT  
APPROVED: D. GREV

**CONSTRUCTION**



|                 |                |
|-----------------|----------------|
| SCALE           | AS SHOWN       |
| DESIGNED        | P. JARVIS      |
| DRAWN           | P. JARVIS      |
| CHECKED         | M. ANDREWS     |
| APPROVED        | D. GREV        |
| DATE            | 11.5.11        |
| PROJECT NUMBER  | SI-00056-1-2-2 |
| PROJTRAK NUMBER |                |

|  |            |
|--|------------|
| STANDARD CONSTRUCTION  |            |
| 11kV POLE MOUNTED VOLTAGE REGULATOR WITH CONTROLLING INTELLIRUPTER GENERAL ARRANGEMENT |            |
| SIZE   | DRAWING No |
| A1   | 224227     |
| SHEET  | AMD        |
| 1  | 3          |