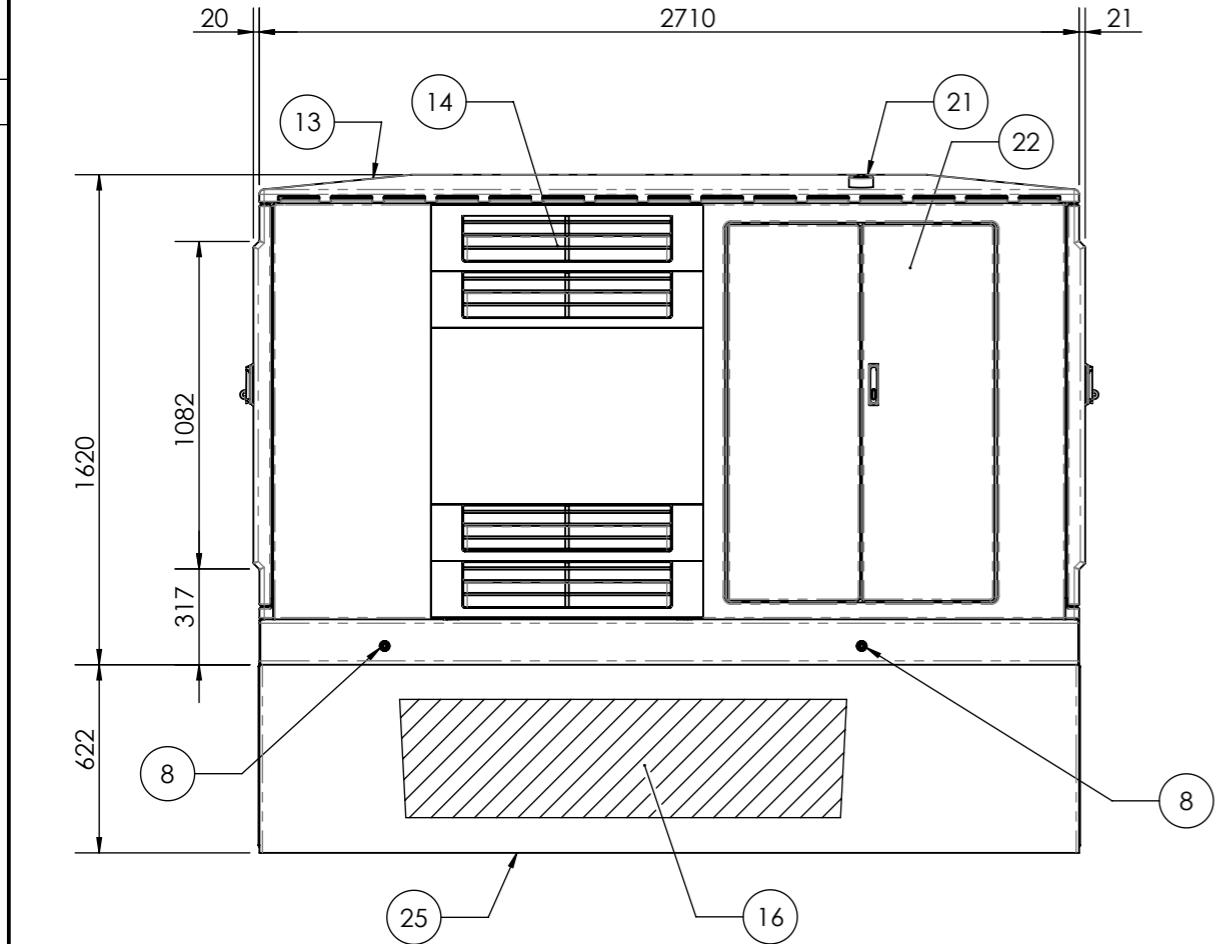
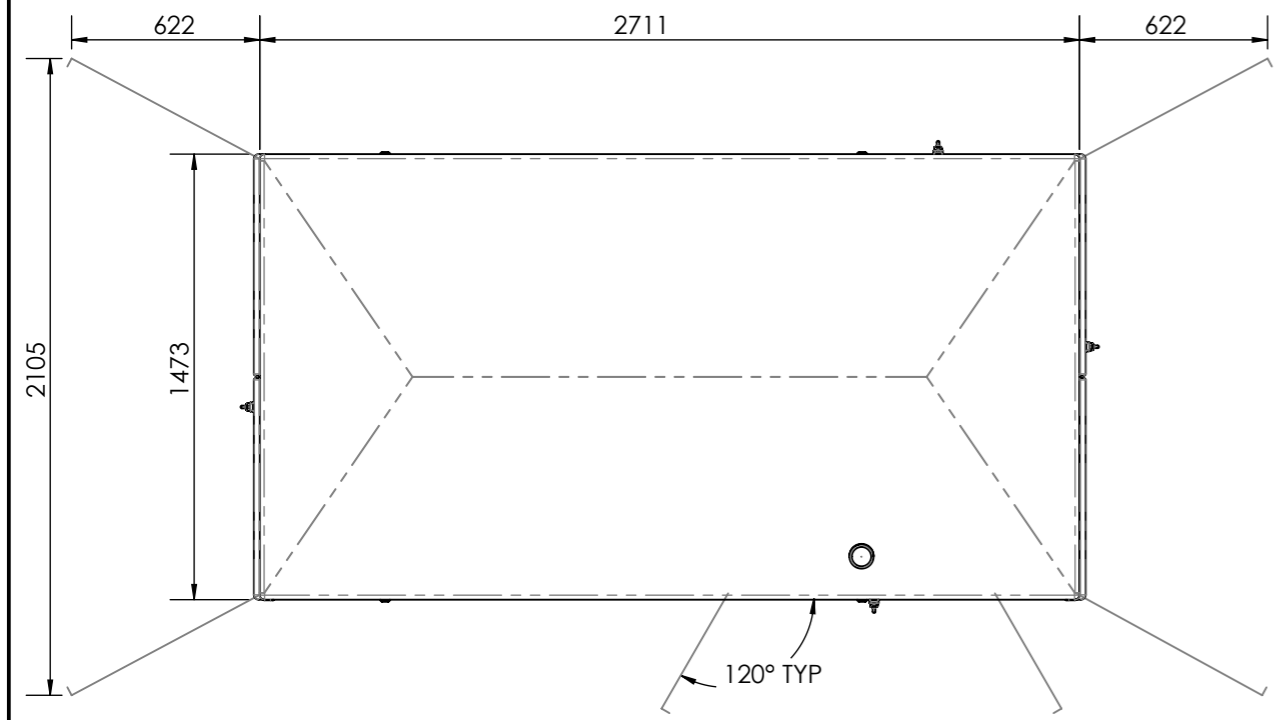


REVISIONS				
REV.	DESCRIPTION	COMPILED BY	APPROVED	DATE
A	Original Issue	P.O.	M.R.	14.09.18
B	PLINTH & TOTAL MASSES ON R&D PLATE REVISED	P.O.	M.R.	31.08.19



WILSON TRANSFORMER

TO AS 40076
WTC SERIAL NUMBER

kVA	1000	Insul. liquid Oil		INHIBITED
Phase	3	Temp. rise Oil/Wdg	°C	60/65
Frequency	Hz 50	Untanking mass	kg	2255
Volts (no load)	HV 11000	Liquid volume	l	710
Amps	HV 433	Pressure min/max	(kPa abs)	50/130
	LV 52.5	Compliance		HEPS
Vector group	Dyn1	Year of manufacture		
Insulation level	L195AC28/AC15	Impedance	%	
Cooling type	ONAN			
LV Winding	Copper			
HV Winding	Copper			

Plan of tank

ACROSS	HV	POS	%	CONN	LV	ACROSS
A12 B12 C12	11495	1	104.5	7-6		a2 b2 c2
	11330	2	103.0	6-8		
	11165	3	101.5	8-5		
	11000	4	100.0	5-9		
A12	10835	5	98.5	9-4	433	
A B	10670	6	97.0	4-10		c2 n
	10505	7	95.5	10-3		b2
C12 C B12	10340	8	94.0	3-11		
	10175	9	92.5	11-2		

SUMMARY OF MASSES

TRANSFORMER	3610
KIOSK	473
HV SWITCHGEAR	280
LV SWITCHGEAR	235
MISC	186
TOTAL (EX CONCRETE PLINTH)	4784
CONCRETE PLINTH	1900
TOTAL (INC CONCRETE PLINTH)	6684

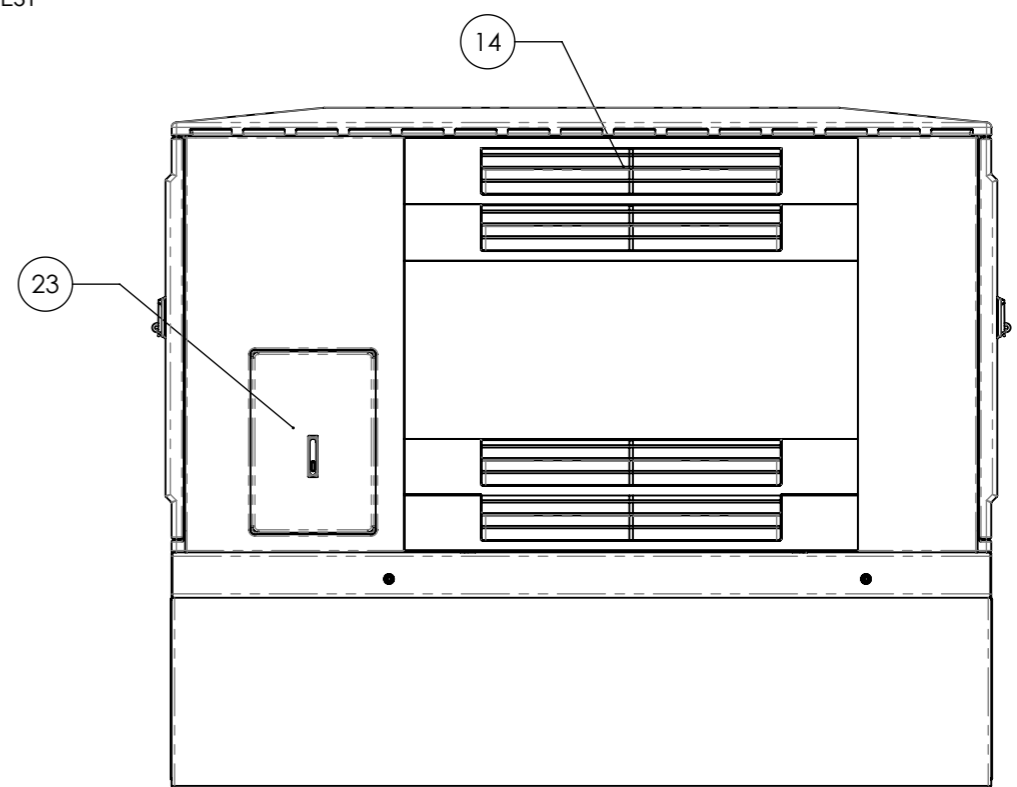
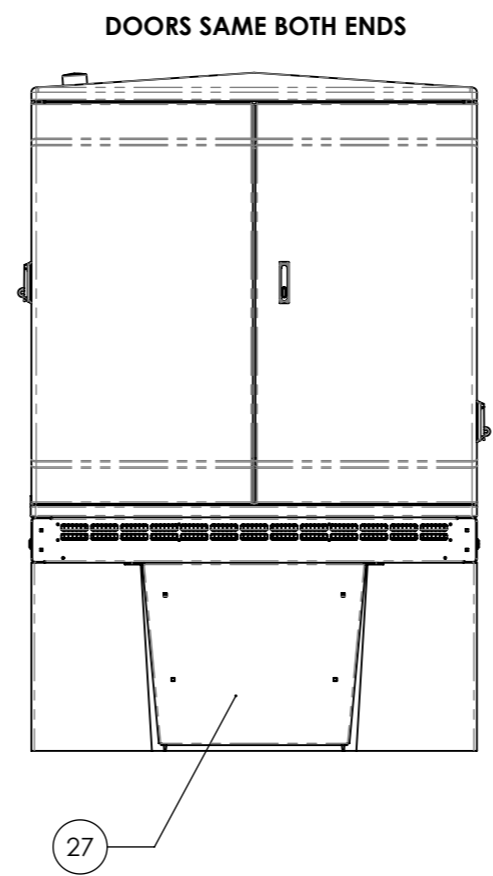
AUSGRID CONTRACT NUMBER: AG2869/11
AUSGRID ITEM NUMBER:
AUSGRID IDENTIFICATION NUMBER:

WARNING:
1. Off circuit tap selector, de-energise before changing taps.
2. This is a Sealed Transformer
3. Transformer is completely full of oil - no gas space

721-A009-01/B

- HV BUSHING WELLS - DEADBREAK 22KV WITH INSERTS
- LV MONOBLOCK
- FULLY OIL FILLED TRANSFORMER TANK INC 1.6mm COOLING FINNS
- TAP SELECTORS 9 POSITION - LOCKABLE IN ANY OPERATING POSITION
- RATING & DIAGRAM PLATE
- OIL LEVEL SIGHT GLASS
- TRANSFORMER LIFTING LUGS
- SUBSTATION LIFTING POINTS
- TRANSFORMER OIL FILL POINT 25 NOM
- OIL DRAIN / SAMPLE VALVE 25 NOM
- PRESSURE RELIEF DEVICE (0.3BAR)
- FIBERGLASS KIOSK - HV & LV COMPARTMENTS IP45 / TRANSFORMER COMPARTMENT IP23 - WITH PAD LOCKABLE 3 POINT LOCKING ON ALL DOORS
- TRANSFORMER VENTILATION
- DOCUMENT HOLDER IN HV & LV COMPARTMENTS (NOT SHOWN)
- OIL CONTAINMENT 100% - INCORPORATED INTO CONCRETE PLINTH
- HV SWITCHGEAR - ABB Safe Link
- LV SWITCHGEAR - AS SPECIFIED
- ABB - DM & C CONTROLL BOX
- ABB - DM & C BATTERY BOX
- ANTENNA GPS/4G
- ACCESS DOOR - DM&C
- LIFT OFF PANEL- FASTENED FROM INSIDE
- ROXTEC CABLE SEALING ASSY IP67 - FOR TRANSFORMER CABLES
- PREFABRICATED CONCRETE PLINTH
- REMOVABLE SILL - LV & HV END
- REMOVABLE PANEL - HV & LV END

*SERIAL NUMBER, YEAR OF MANUFACTURE AND IMPEDANCE (5.00% NOM.) STAMPED AFTER TEST



234382_01r00

SHEET SIZE A3

THIRD ANGLE PROJ.

All Welds to conform to AS 1554 sections 1 to 6, Cat.GP & 2B, unless specified otherwise.

Min Weld Size	Thickness of thinnest part	Min.weld size
≤ 6mm	≤ 6mm	Thinnest mat. thickness
> 6mm to 8 mm	> 6mm to 8 mm	6 mm
> 10 mm	> 10 mm	Thinnest mat. less 2 mm

Butt weld DDT to be "Incomplete penetration butt weld"

TOLERANCE UNLESS OTHERWISE STATED

LINEAR	ANGULAR
1 ±1 (0-2000)	1 ±1°
1 ±3 (>2000)	1.0 ±1°
1.0 ±0.5	1.00 ±0.05°
1.00 ±0.05	

WILSON TRANSFORMER

WILSON TRANSFORMER CO. PTY. LTD.
ACN 004 216 979

DESCRIPTION

KIOSK TRANSFORMER 1000kVA

SCALE 1:25 PAGE 1 OF 4 FILE NO. 881-A009-13

ALL DIMENSIONS ARE IN mm UNLESS OTHERWISE STATED

FINISH: N/A

REV **B**