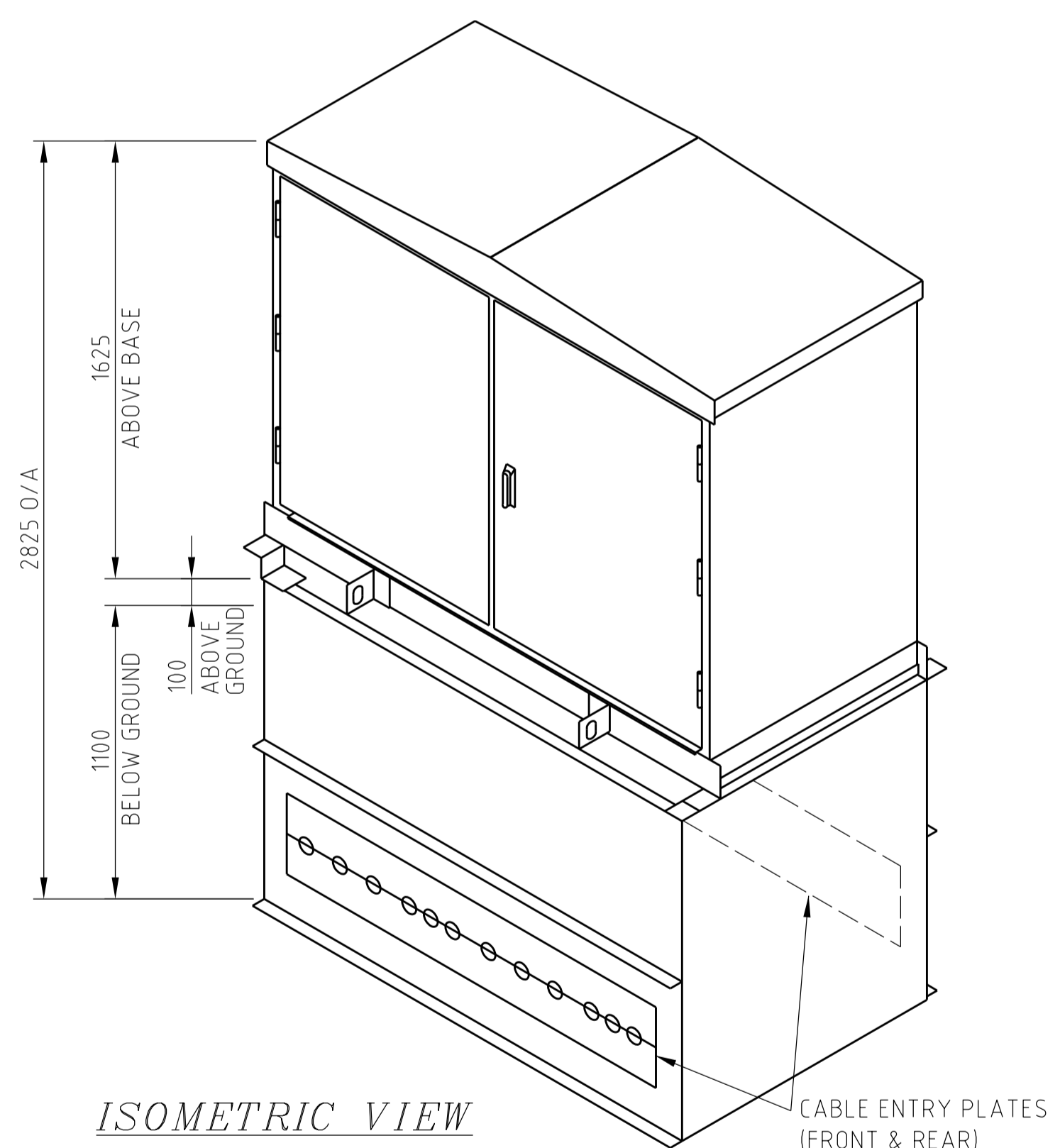
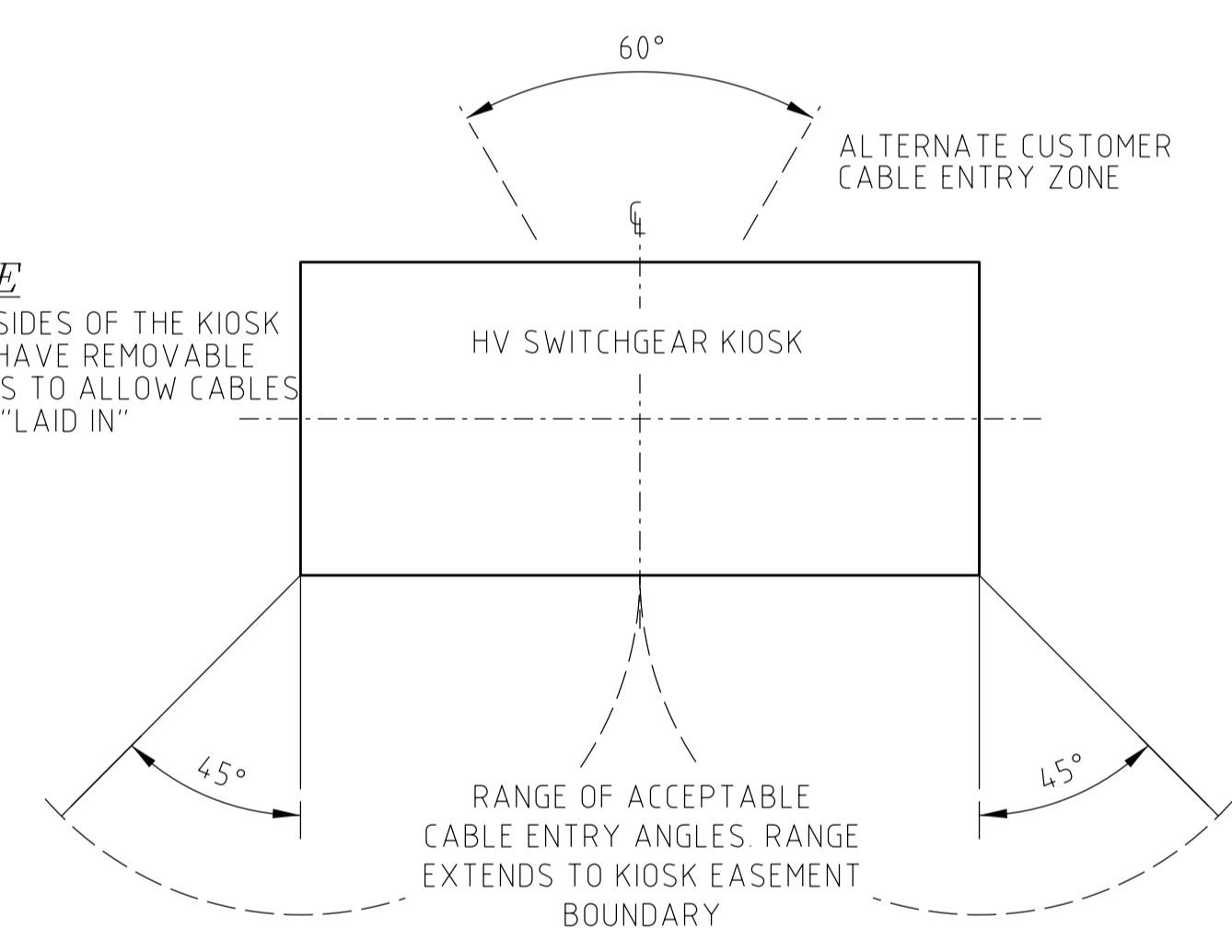


SITE BOUNDARY / FRONTAGE
SITE PLAN

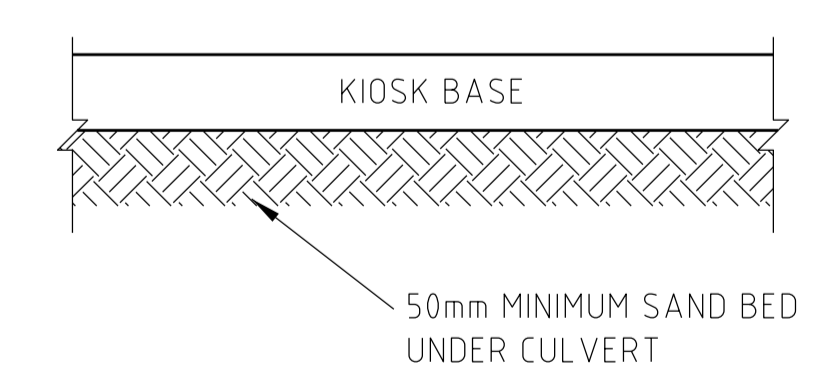


ISOMETRIC VIEW

NOTE
BOTH SIDES OF THE KIOSK BASE HAVE REMOVABLE PANELS TO ALLOW CABLES TO BE "LAID IN"



CABLE ENTRY TO KIOSK BASE



INSTALLATION DIRECT ON GROUND
SCALE 1:5

NOTES

SITE
ALL DIMENSIONS SHOWN ARE MINIMUM REQUIREMENTS. THE SITE MUST BE LEVEL AND CLEAR OF ALL CONSTRUCTION AND ACCESSIBLE FOR EQUIPMENT INSTALLATION AND MAINTENANCE. NO SERVICES SUCH AS DRAINS, HIGH OR LOW PRESSURE PIPES, ELECTRICAL OR COMMUNICATION CABLES, WATER PIPES etc ARE TO BE LOCATED WITHIN THE AREA SHOWN ON THE SITE PLAN. ANY FILL USED WITHIN THE AREA SHOWN ON THE SITE PLAN IS TO BE CLEAN COMPACTED SAND. GROUND TO BE COMPACTED UNDER CULVERT AND SUITABLE FOR AT LEAST 75kPa BEARING CAPACITY.

ACCESS
PROVISION MUST BE MADE FOR ALL WEATHER ACCESS TO THE KIOSK SITE BY HEAVY MOBILE CRANE AND TRUCK. WHERE STEPS ARE REQUIRED FOR PERSONNEL ACCESS, THEY MUST BE PROVIDED EXTERNAL TO THE KIOSK SITE.

EARTHING
EARTHING IS TO BE INSTALLED AFTER THE SITE IS CLEARED. EARTHING DETAILS FOR KIOSK SUBSTATION IS INDICATIVE ONLY AS EACH KIOSK SITE REQUIRES A SPECIFIC EARTHING DESIGN TO BE UNDERTAKEN AS INDICATED IN NETWORK STANDARD NS116.

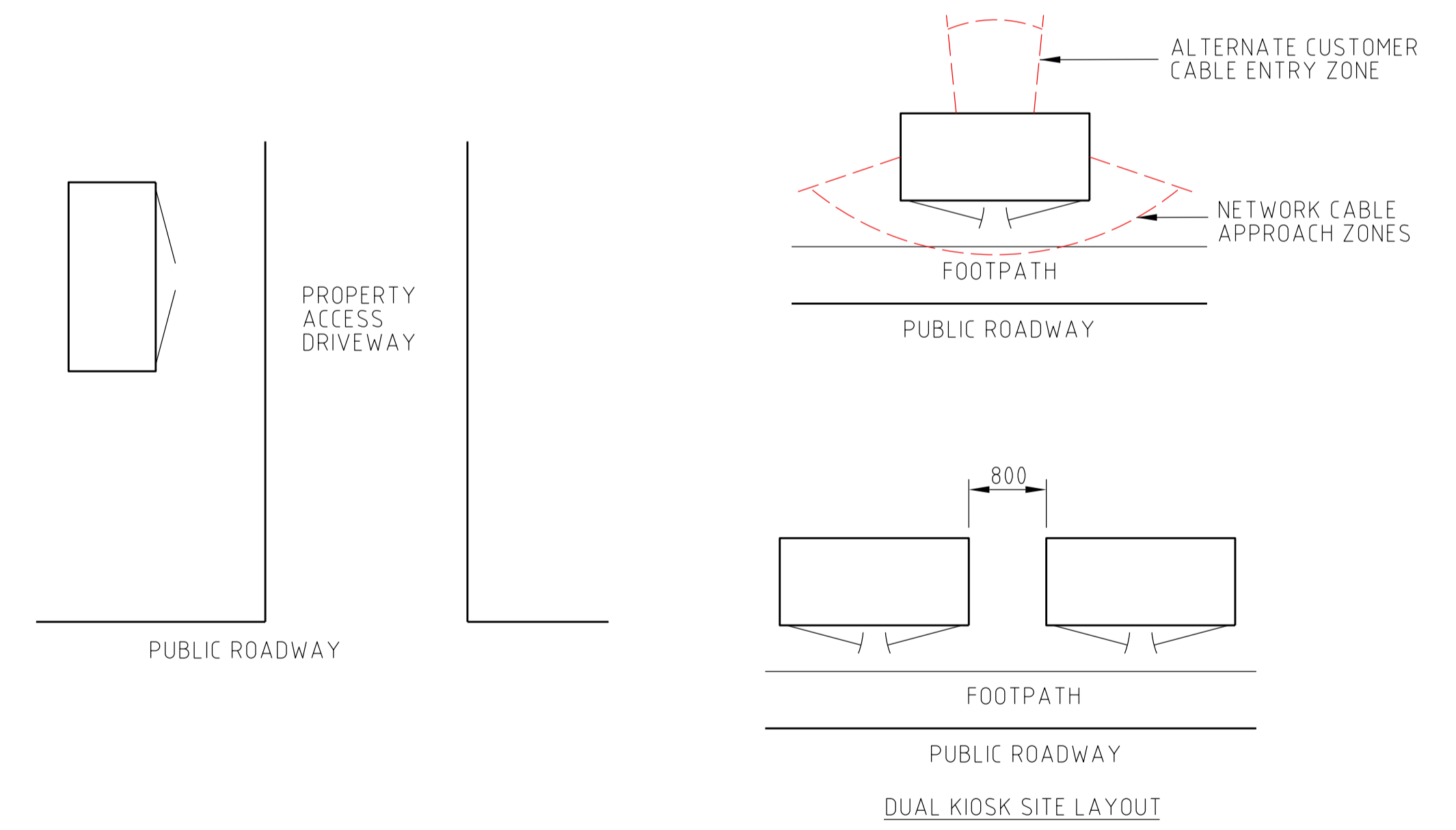
CABLE AND CONDUIT INSTALLATION
CABLES AND CONDUITS ARE TO BE INSTALLED TO NETWORK STANDARD NS130. WHERE THE COVER CANNOT BE ACHIEVED OR THE CABLES PASS UNDER AN AREA WHICH CANNOT BE READILY EXCAVATED IN THE FUTURE, A BANK OF Ø125mm ORANGE LD RIGID UPVC PIPE CONFORMING TO AS 2053 PART 2, MAY BE REQUIRED TO BE INSTALLED TO A 1500mm² EXCAVABLE AREA SUITABLE FOR LOCATING CABLE JOINTS. THIS AREA IS TO BE IN A POSITION AGREED BY BOTH THE BUILDER AND AUSGRID. WHERE CONDUITS SUPPLYING THE KIOSK SUBSTATION PASS UNDER A ROADWAY OR A BUILDING THEY ARE TO BE CONCRETE ENCASED.

PROTECTION OF KIOSK FROM VEHICLE DAMAGE
IT IS THE CUSTOMER'S RESPONSIBILITY TO PROVIDE ADEQUATE PERMANENT PROTECTION IF THE KIOSK IS LOCATED IN THE VICINITY OF AREAS USED BY VEHICLES. ANY FORM OF PROTECTION USED SHOULD MEET THE REQUIREMENTS STATED IN AS/NZ 1170.1 AND CAN TAKE THE FORM OF BOLLARDS OR CRASH BARRIERS. VEHICLE PROTECTION SHOULD BE PLACED ON THE OUTSIDE OF THE KIOSK SITE.

REINSTATEMENT OF VEHICULAR ROADWAY OR CABLE EASEMENT
THE CUSTOMER IS RESPONSIBLE FOR ALL REINSTATEMENT.

LANDSCAPING THE SITE
AFTER THE EQUIPPING CONTRACTOR HAS INSTALLED THE KIOSK AND THE CUSTOMER'S CABLES HAVE BEEN INSTALLED, THE BUILDER MAY COVER THE SUBSTATION AREA WITH EITHER ASPHALT, MEDIUM TO LARGE PINE BARK CHIPS, BLUE METAL, LAWN, WOODCHIPS, REMOVABLE PAVERS OR DECORATIVE GRAVEL, TO A DEPTH OF 120mm. PLASTIC SHEETING IS NOT TO BE USED UNDER THE COVER AND NO PLANTING IS ALLOWED IN AREA SHOWN ON THE SITE PLAN.

ASPHALT
THE EARTHING DESIGN MAY STIPULATE THE INSTALLATION OF ASPHALT ON THE AREA SURROUNDING THE KIOSK. PREPARATION: COMPACTED ROAD BASE IS REQUIRED UNDERNEATH THE ASPHALT. MATERIAL: WELL COMPACTED HOT MIX AT LEAST 50mm THICKNESS.



SITE LAYOUT OPTIONS
NOT TO SCALE

REFERENCES	
AUSGRID'S NETWORK STANDARDS	NS 0141
	NS 0117
	NS 0130
	NS 0116
	NS 0195

CAD DRAWING DO NOT MANUALLY AMEND AMENDMENTS	ASSOCIATED DRAWINGS	

 145 NEWCASTLE RD WALLSEND, NSW 2287	SCALE	1:20
	DESIGNED	P.TURRIN
	DRAWN	P.RIOS
	CHECKED	C.MABBUTT
	APPROVED	P.TURRIN
	DATE	31/05/2022
	PROJECT NUMBER	STD
	PROJTRAK NUMBER	-

AUSGRID STOCKCODE : 186402	
STANDARD CONSTRUCTION R TYPE KIOSK (HIGH VOLTAGE CUSTOMER) LAYOUT OPTION PLAN	
SIZE	DRAWING No
A1	258017
SHEET	AMD
1	0