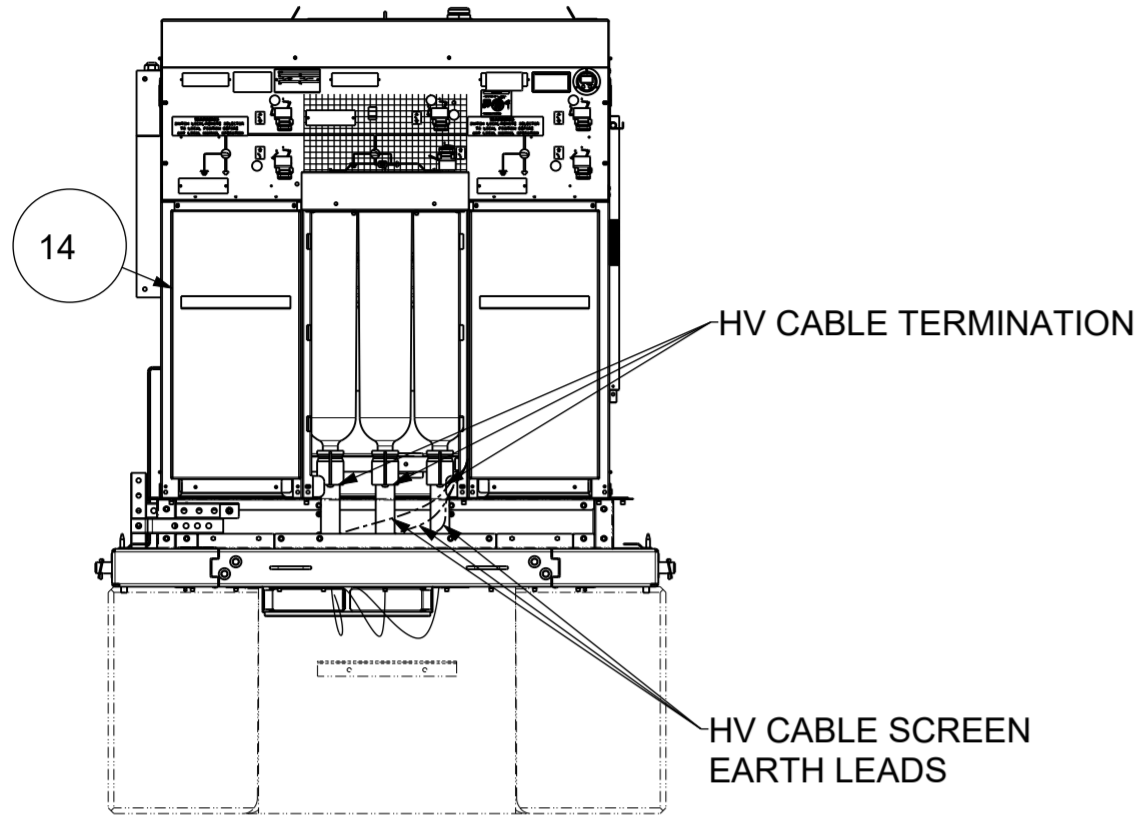
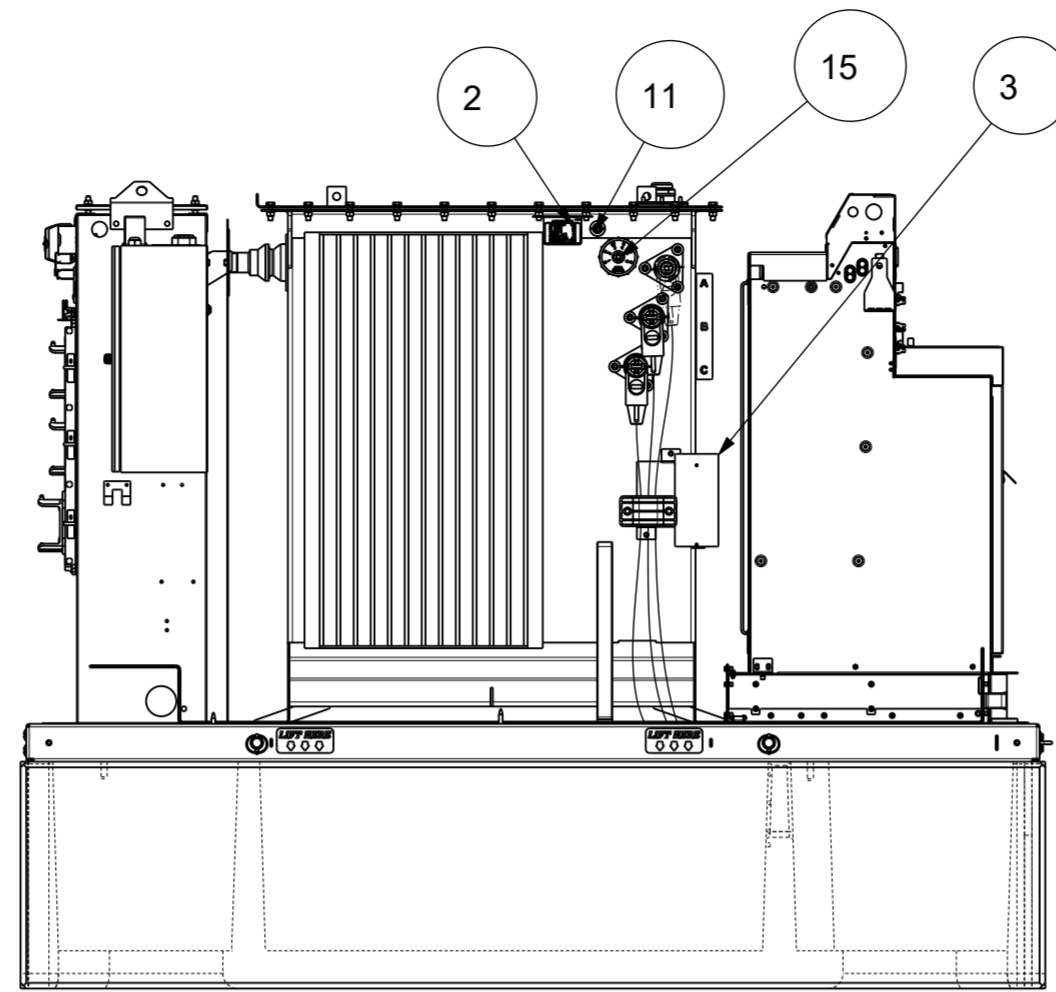


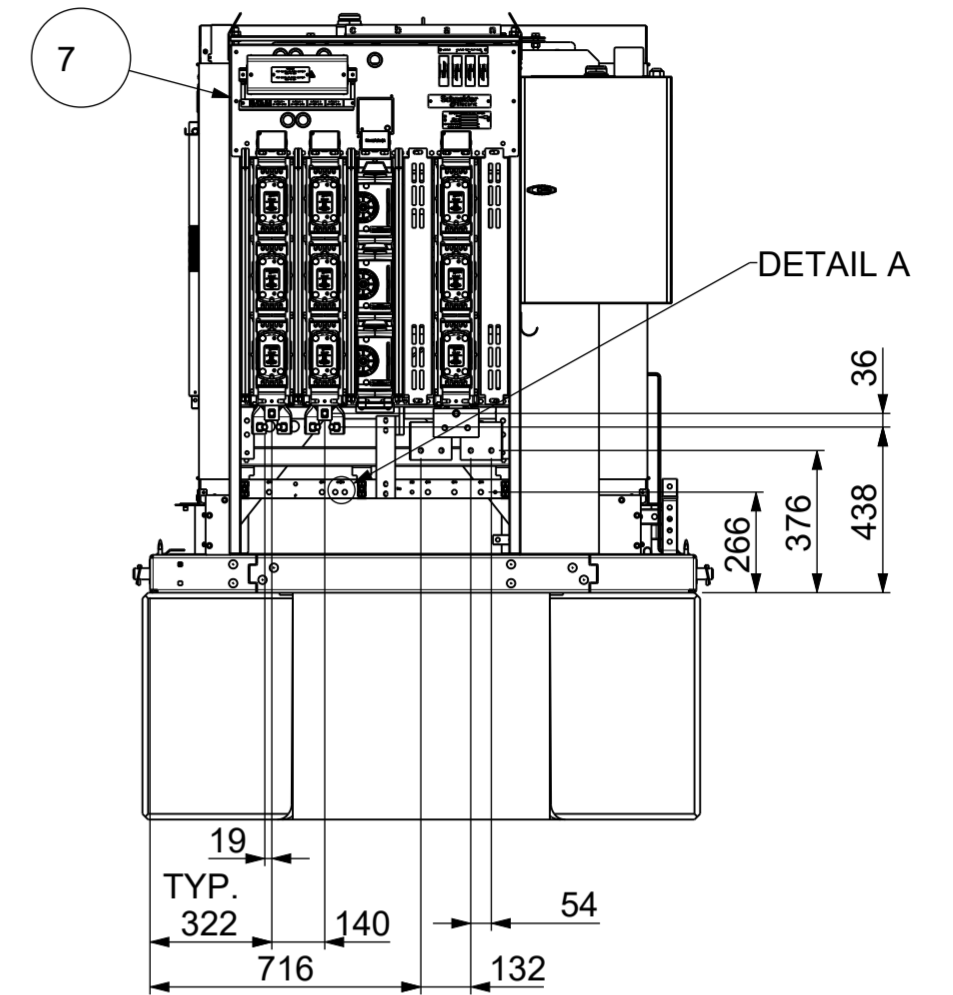
ENCLOSURE HIDDEN ON THIS SHEET FOR CLARITY



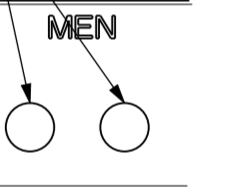
HV CABLE TERMINATION

HV CABLE SCREEN EARTH LEADS

RM6 FRONT COVER & ARC BOX
FRONT COVER HIDDEN FOR CLARITY

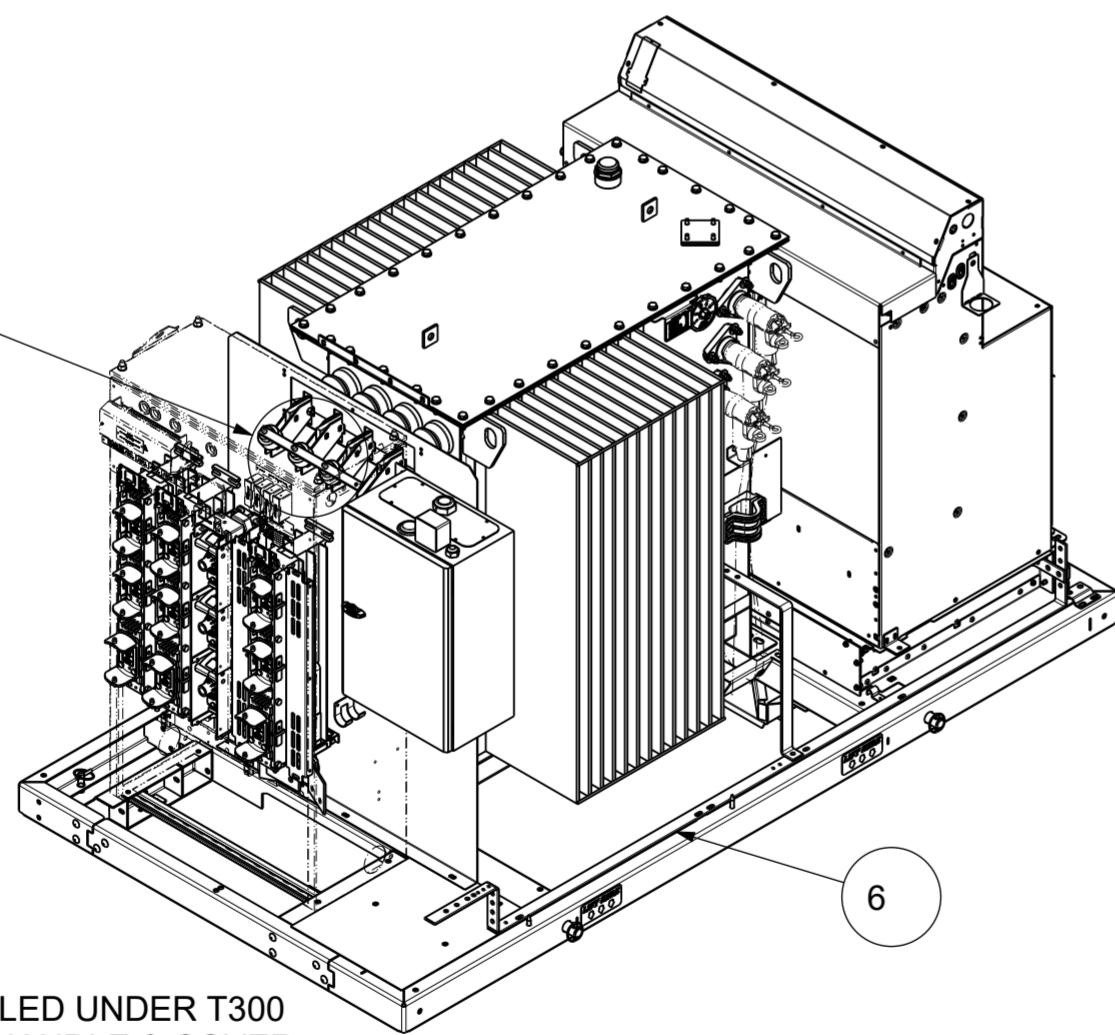


DISCONNECT EARTH CABLES FROM MEN TO EFFECT SEGREGATION

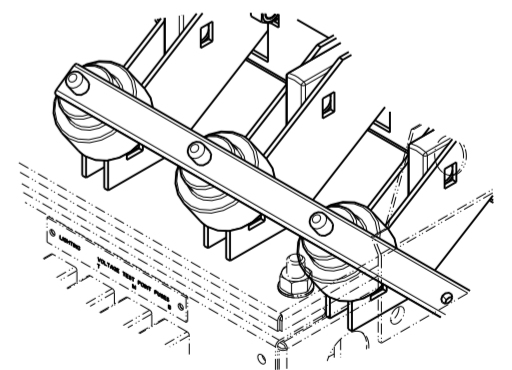
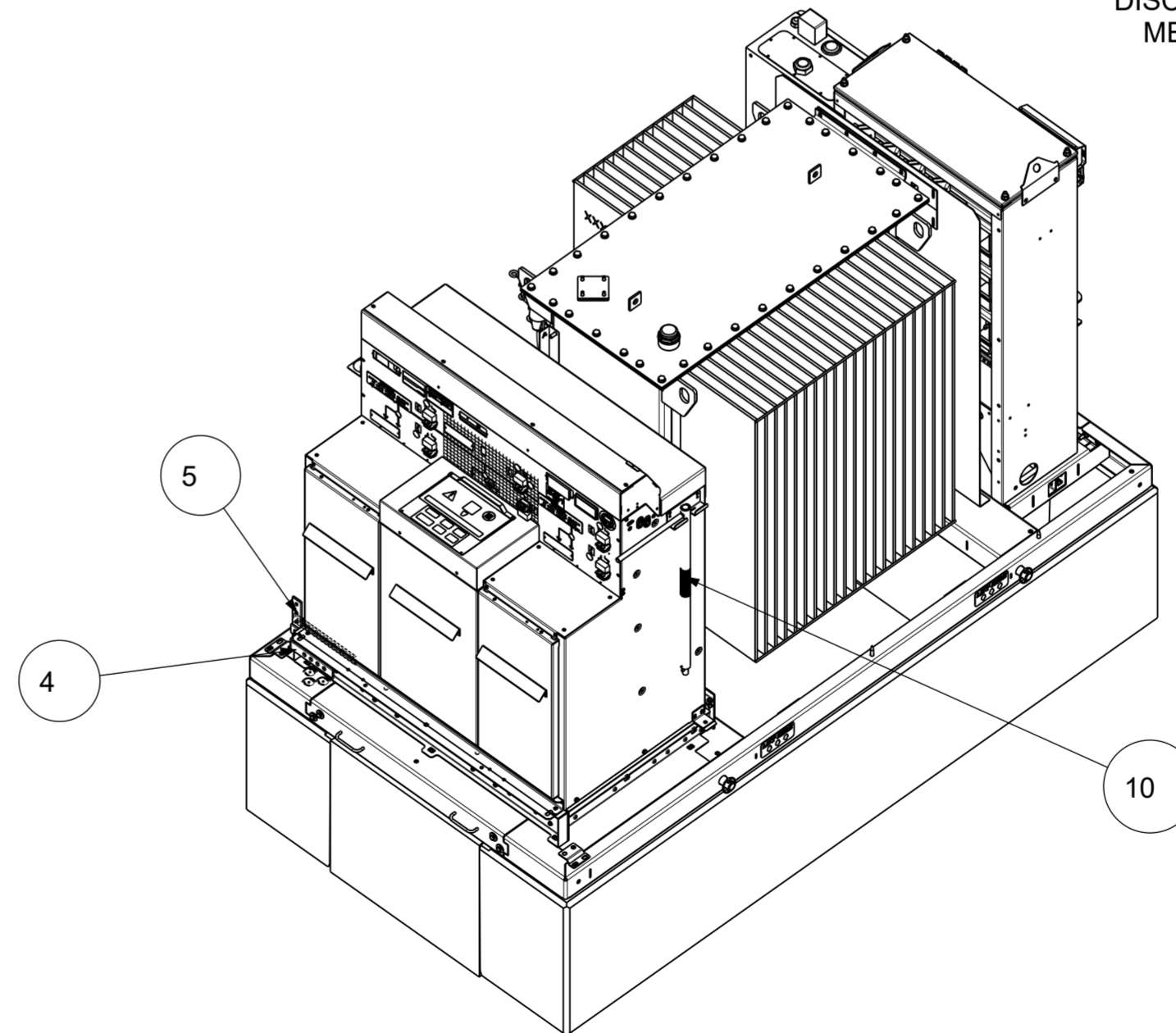


DETAIL A(1:2)

SEE DETAIL B



HOOKS INSTALLED UNDER T300 FOR BREAKER HANDLE & COVER



DETAIL B(1:5)

AUSGRID 269246-2

	Scale: 1:20	Technical Specification: ISO 2768 cL ISO 8015	Units of measure : mm gr cm2 cm3	
	Document Description: AUSGRID KL 600KVA 11/0.433 DYN1 KIOSK ASSEMBLY			Doc. Rev. 02
Document Number: SCHNEIDER_GA_KL600			State:	

The Schneider Electric brand and any trademarks of Schneider Electric SE and its subsidiaries referred to in this drawing are the property of Schneider Electric SE or its subsidiaries. All other brands may be trademarks of their respective owners. This drawing and its content are protected under applicable copyright laws and furnished for informational use only.