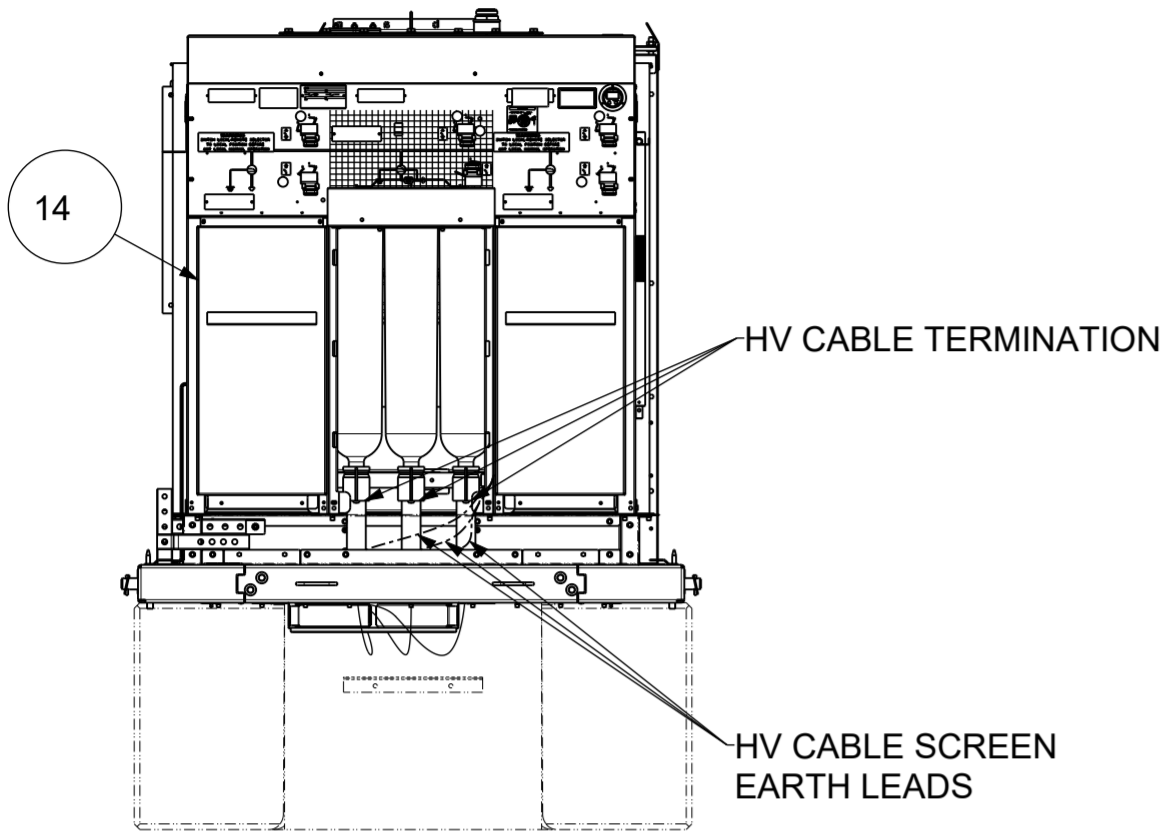
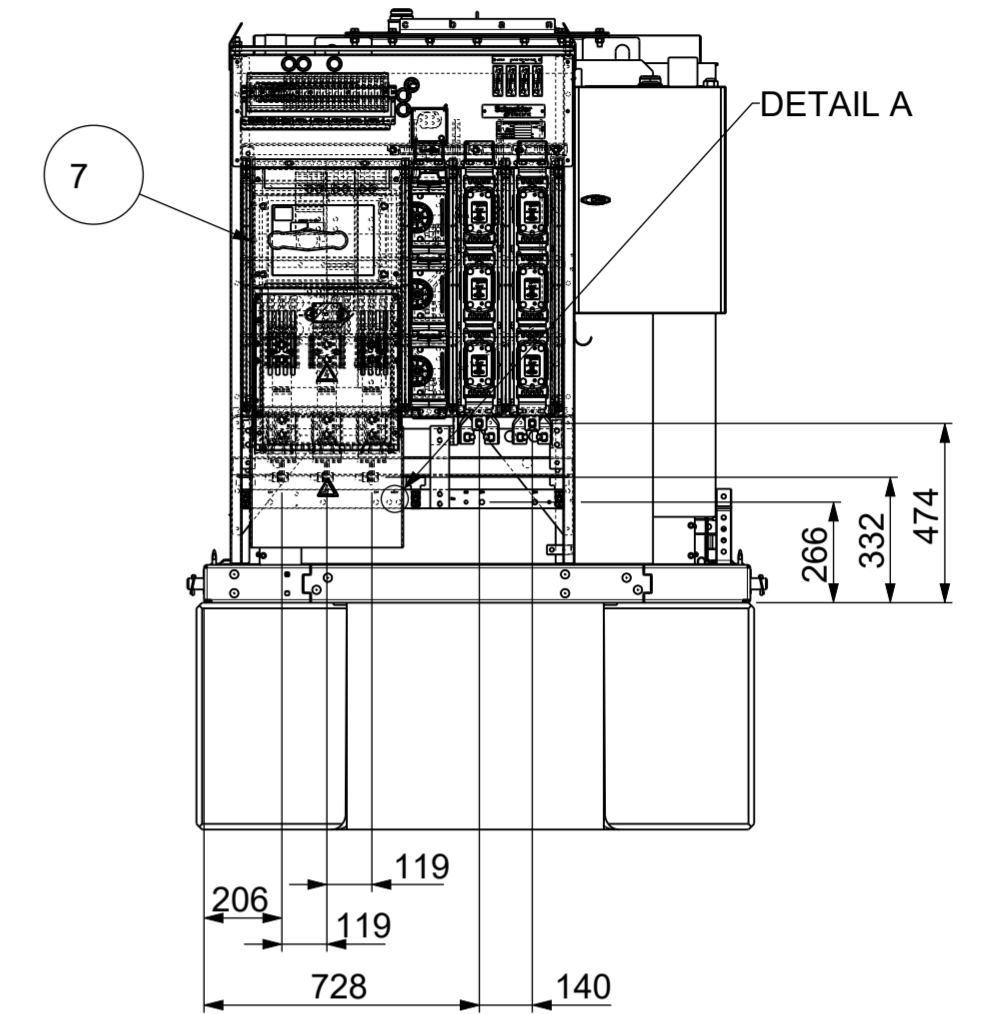
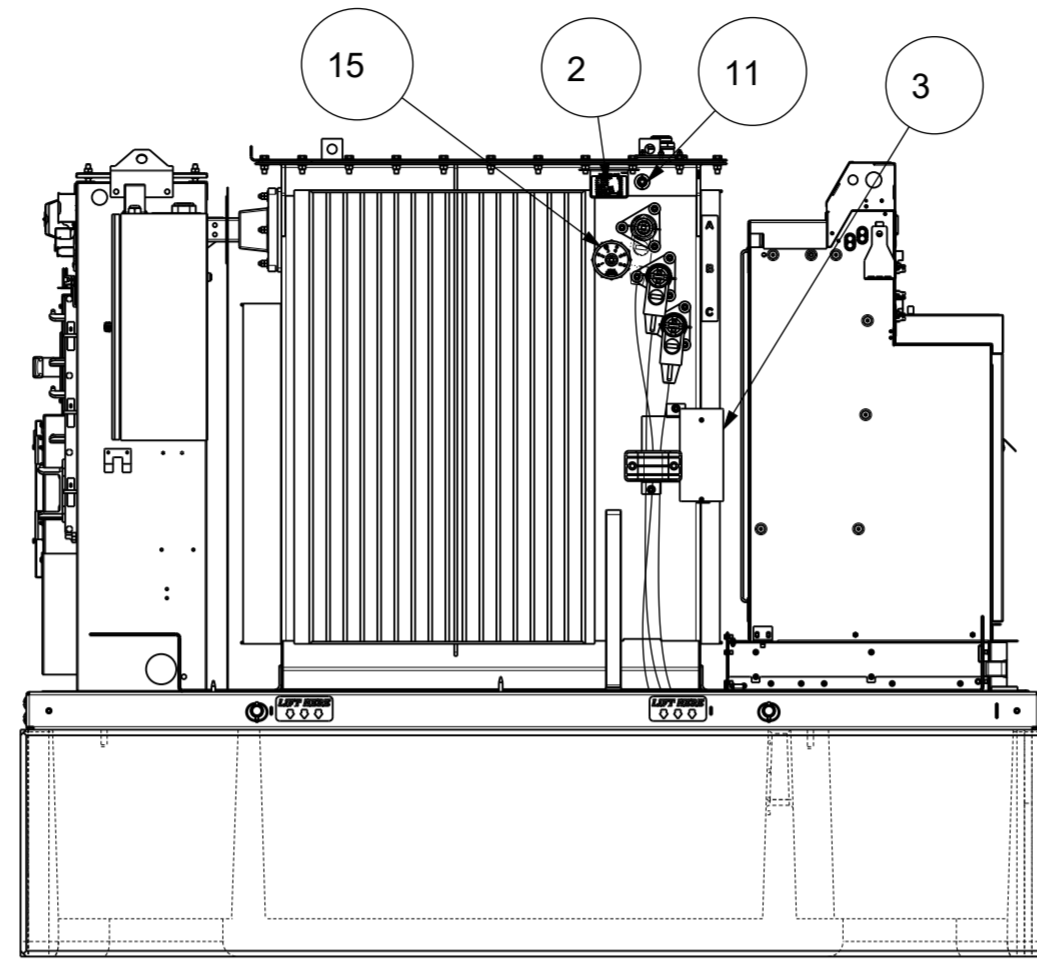


ENCLOSURE HIDDEN ON THIS SHEET FOR CLARITY



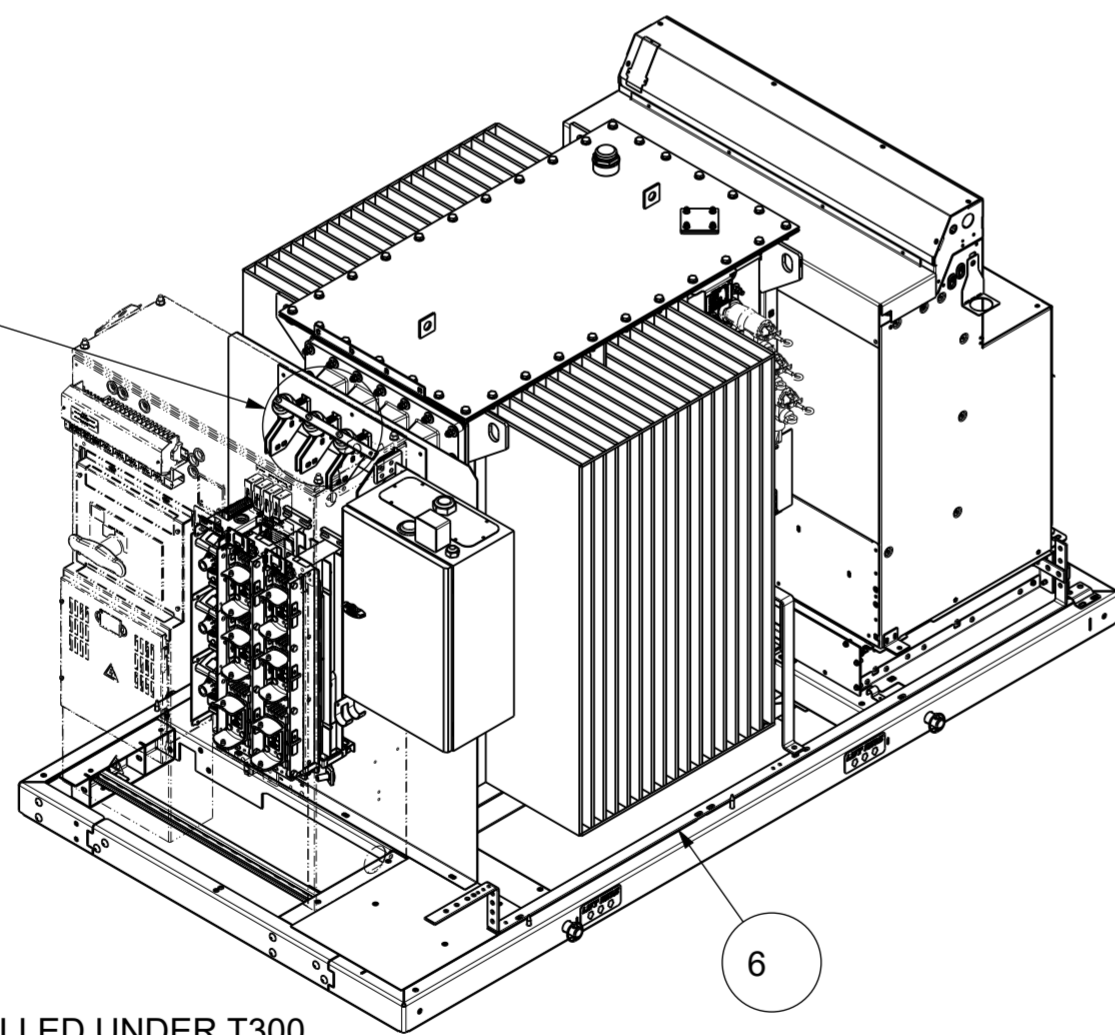
RM6 FRONT COVER & ARC BOX
FRONT COVER HIDDEN FOR CLARITY



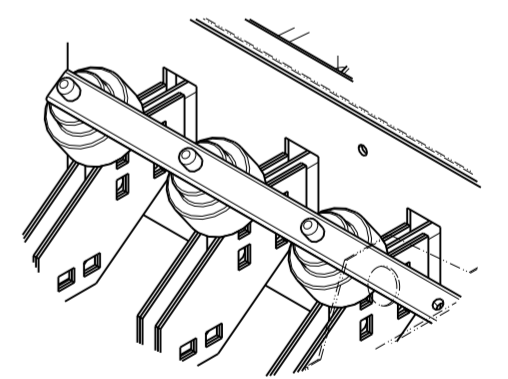
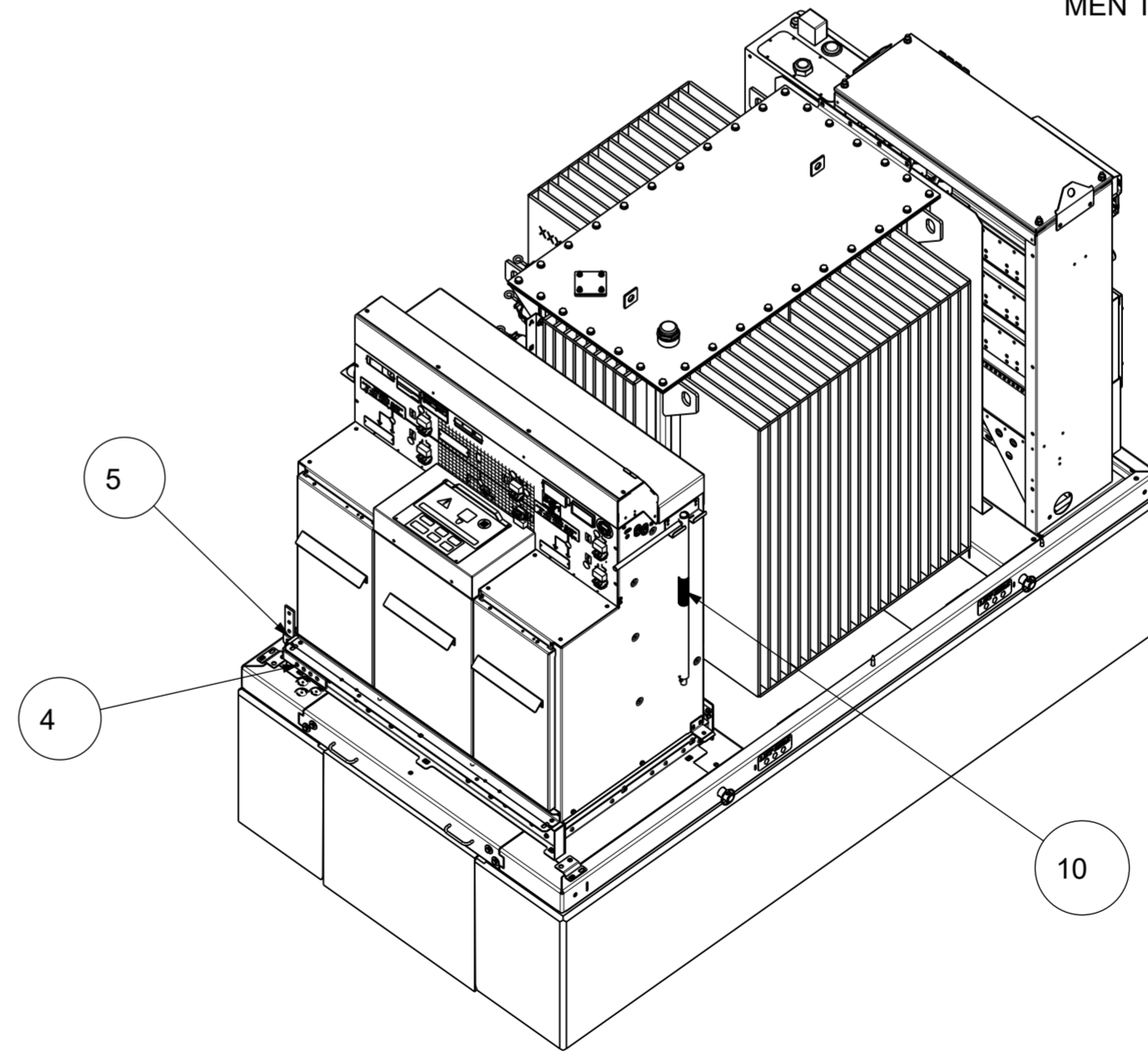
DISCONNECT EARTH CABLES FROM MEN TO EFFECT SEGREGATION

DETAIL A(1:2)

SEE DETAIL B



HOOKS INSTALLED UNDER T300
FOR BREAKER HANDLE & COVER



	Scale: 1:20	Technical Specification: ISO 2768 cL ISO 8015	Units of measure : mm gr cm2 cm3	
	Document Description: AUSGRID KL 800KVA 11/0.433 DYN1 KIOSK ASSEMBLY			Doc. Rev. 02
Document Number: SCHNEIDER_GA_KL800			State:	

AUSGRID 269247-2