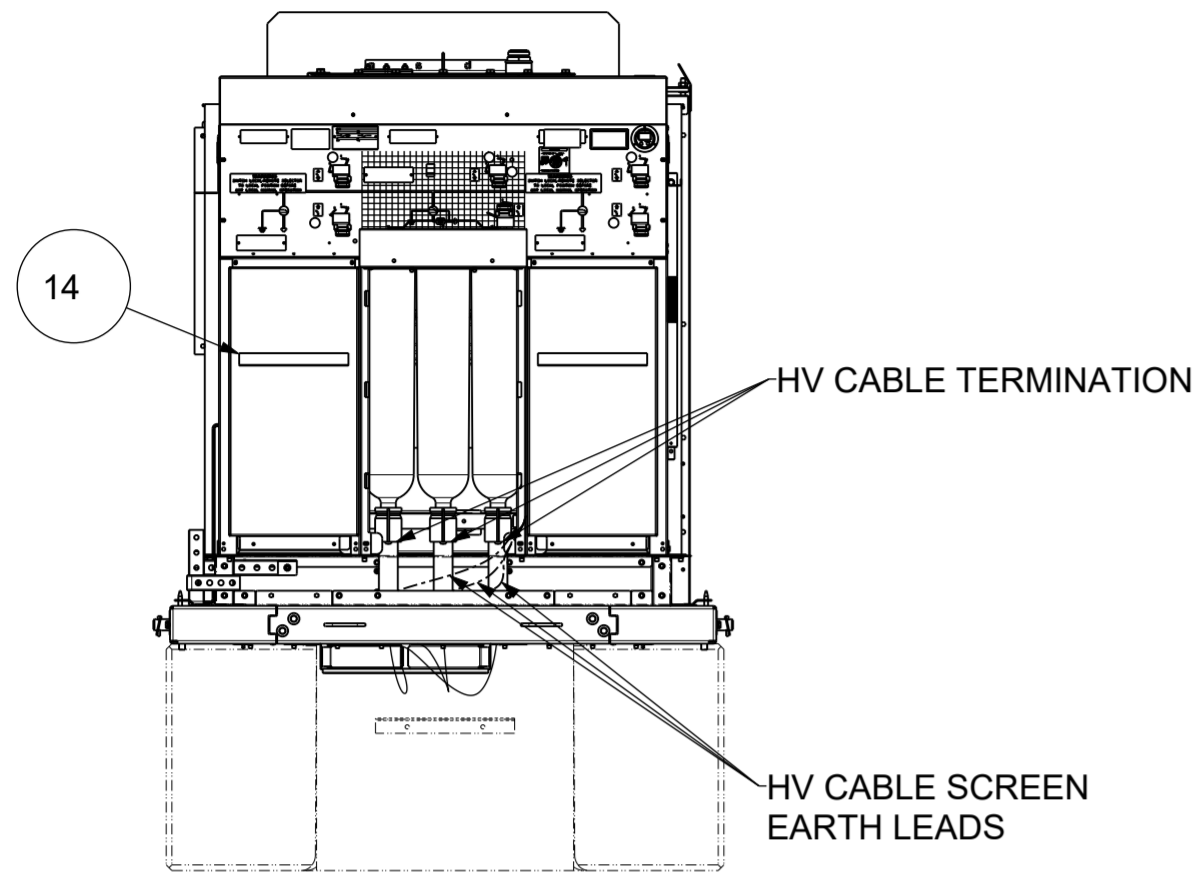
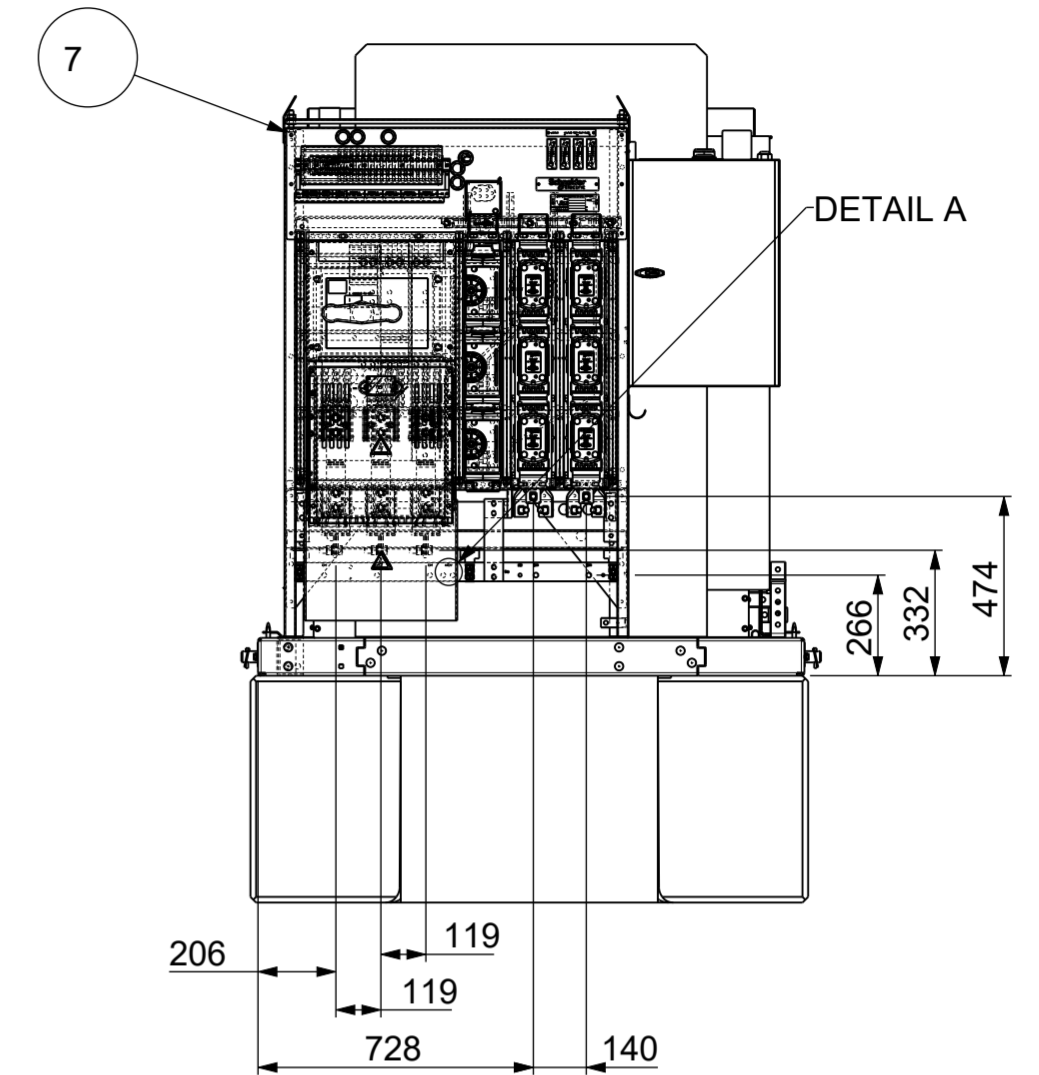
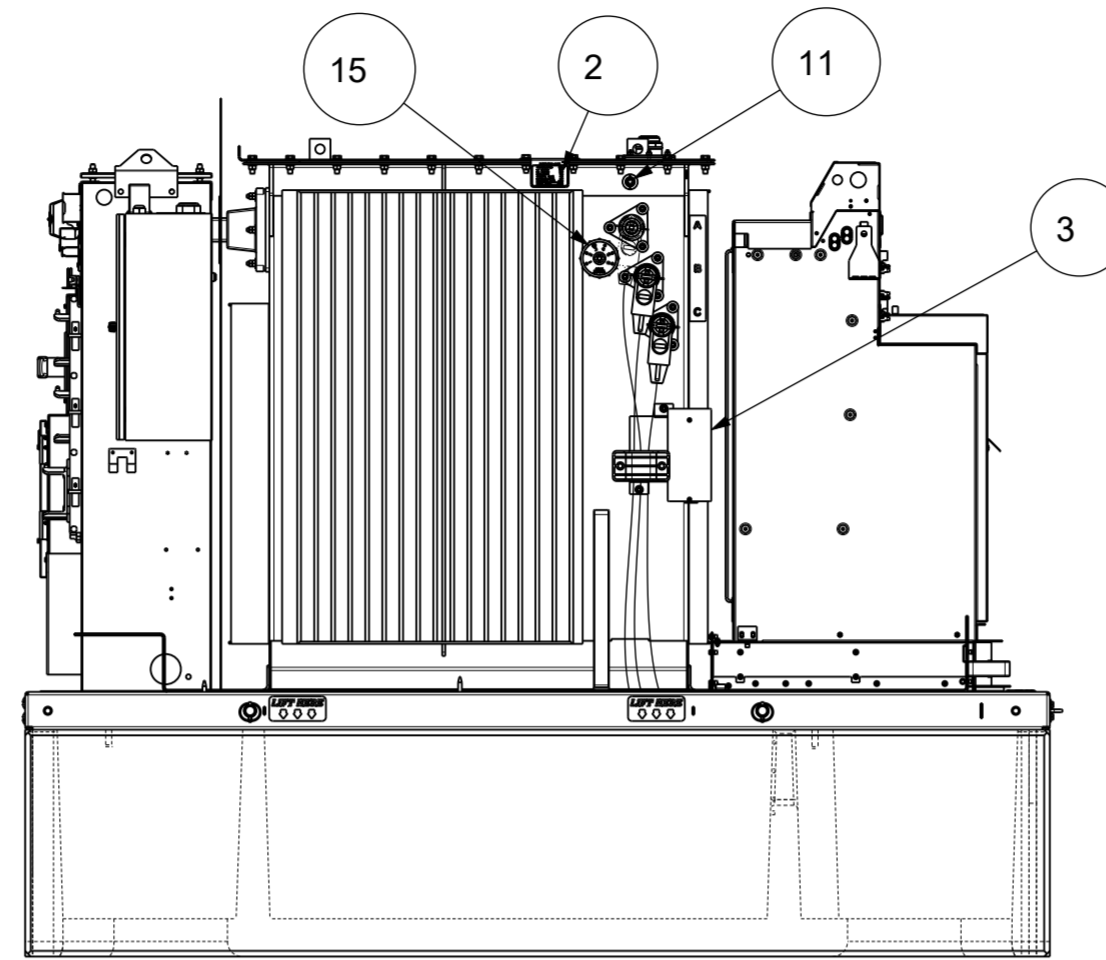


ENCLOSURE HIDDEN ON THIS SHEET  
FOR CLARITY



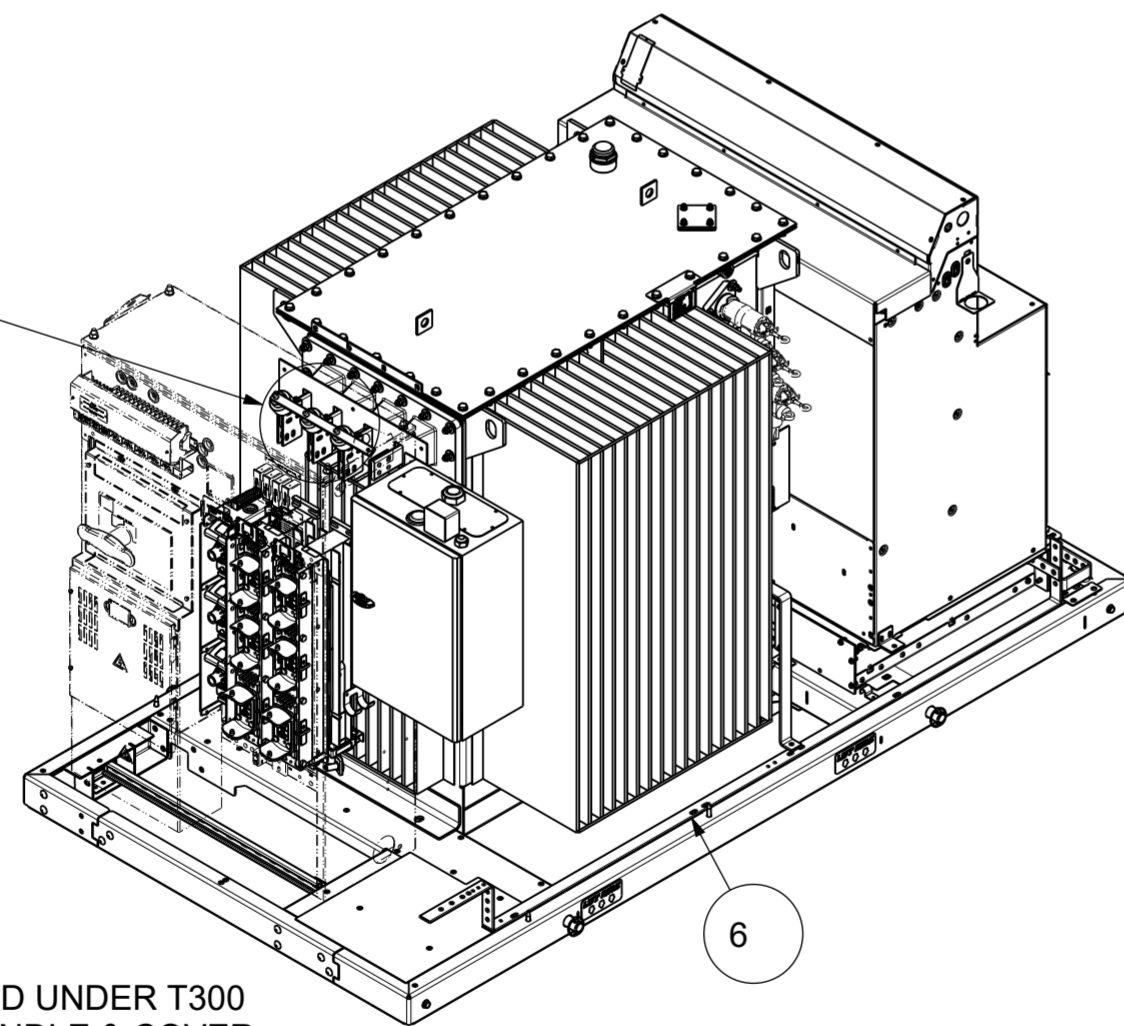
RM6 FRONT COVER & ARC BOX  
FRONT COVER HIDDEN FOR CLARITY



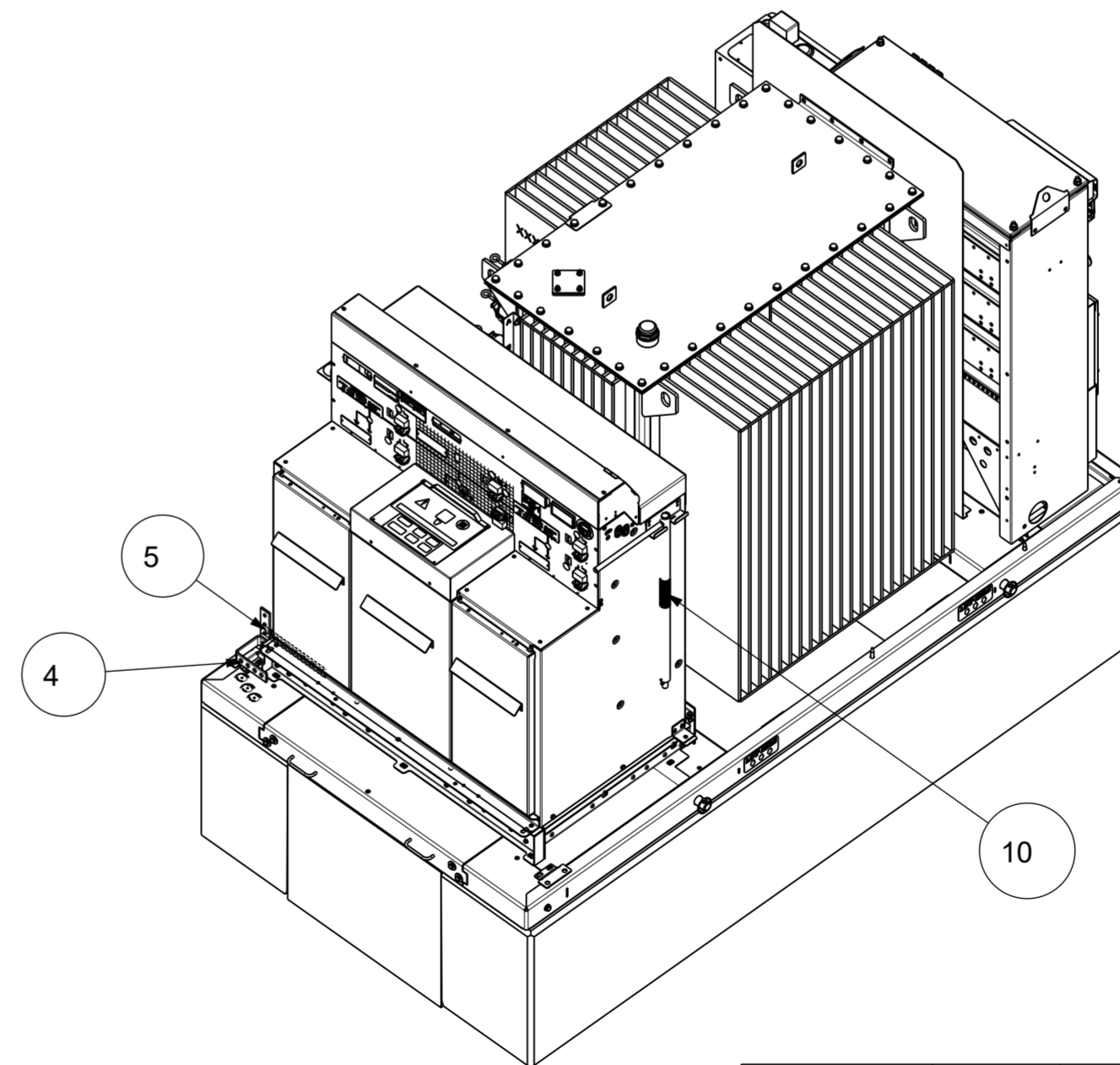
DISCONNECT EARTH CABLES FROM  
MEN TO EFFECT SEGREGATION

DETAIL A(1:2)

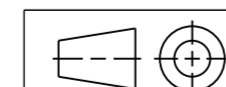
SEE DETAIL B



HOOKS INSTALLED UNDER T300  
FOR BREAKER HANDLE & COVER



DETAIL B(1:5)



Scale:  
1:20

Technical Specification:  
ISO 2768 cL  
ISO 8015

Units of measure :  
mm  
gr cm2 cm3



Document Description:  
AUSGRID KL 1000kVA 11/0.433 DYN1 KIOSK ASSEMBLY

Document Number:  
SCHNEIDER\_GA\_KL1000

Doc. Rev. Sheet:  
01 2/2

**AUSGRID 269248-2**

The Schneider Electric brand and any trademarks of Schneider Electric SE and its subsidiaries referred to in this drawing are the property of Schneider Electric SE or its subsidiaries. All other brands may be trademarks of their respective owners. This drawing and its content are protected under applicable copyright laws and furnished for informational use only.

State: