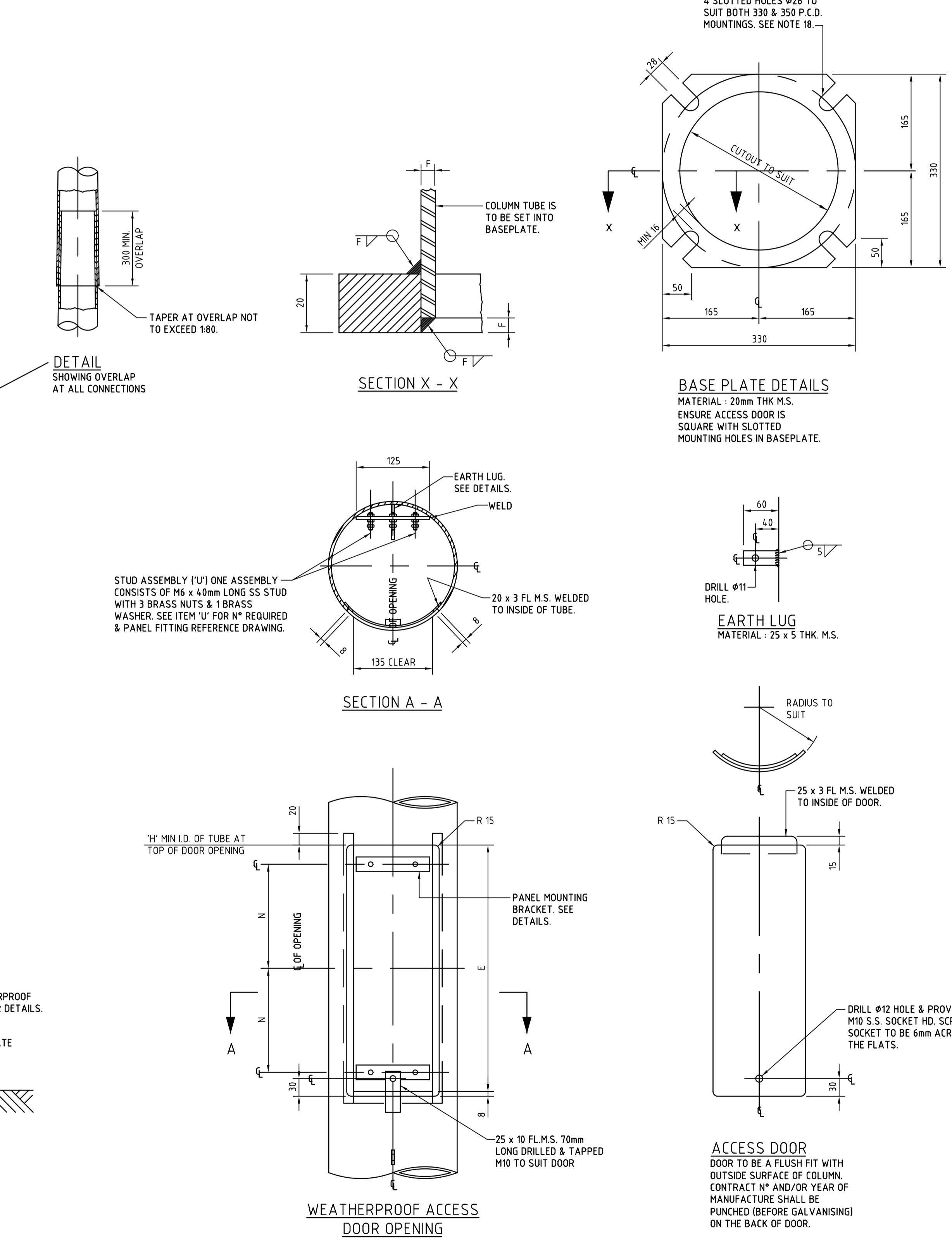


STANDARD LANTERN MOUNTING HEIGHT	DESCRIPTION	STOCK CODE	A mm	B mm	C mm	E mm	F mm MIN	H mm MIN	M mm	N mm	U REQ'D	Y mm	REMARKS
7.5m	7.5m 1 x 4.5m	184436	7500	4500	1520	610	4.8	210	45	286	5	4500	SEE REF B - 2
7.5m	7.5m 1 x 6.0m	184438	7500	6000	1520	610	4.8	210	45	286	5	4500	SEE REF B - 2
9.0m	9.0m 1 x 4.5m	181711	9000	4500	1520	610	4.8	210	45	286	5	6000	SEE REF B - 5
9.0m	9.0m 1 x 6.0m	184443	9000	6000	1520	610	4.8	210	45	286	5	6000	SEE REF B - 5
10.5m	10.5m 1 x 4.5m	181885	10500	4500	1520	610	4.8	210	45	286	5	7500	SEE REF B - 5
10.5m	10.5m 1 x 6.0m	184445	10500	6000	1520	610	4.8	210	45	286	5	7500	SEE REF B - 5
12.0m	12.0m 1 x 4.5m	181886	12000	4500	1520	610	4.8	210	45	286	5	9000	SEE REF B - 5
12.0m	12.0m 1 x 6.0m	184447	12000	6000	1520	610	4.8	210	45	286	5	9000	SEE REF B - 5

PANEL MOUNTING BRACKET & EARTH LUG ARRGT & DETAILS
MATERIAL : 25 x 5mm THK M.S



SAFETY IN DESIGN NOTES
THE DESIGNER SAFETY REPORT PREPARED BY AUSGRID DESIGNERS IS INTENDED TO MEET THE REQUIREMENTS OF THE SAFE WORK AUSTRALIA CODE OF PRACTICE JULY 2012 AND THE APPLICABLE NSW WHS 2011 REGULATIONS FOR DESIGNER SAFETY REPORT - 295.

- DESIGNER SAFETY REPORT - MECHANICAL WORKS - TRIM REFERENCE D16/145942
THIS DESIGNER SAFETY REPORT CONSIDERS MECHANICAL DESIGN ISSUES ONLY AND DOES NOT ADDRESS ELECTRICAL, EARTHING ETC WHICH SHOULD BE ADDRESSED BY THE RELEVANT DESIGNER.
- STANDARD INDUSTRY HAZARDS & RISKS WILL STILL EXIST WITH THESE DESIGNS BUT MAY NOT BE NOTED IN THE DESIGNER SAFETY REPORT. THE REPORT INCLUDES ONLY UNUSUAL OR ATYPICAL RISKS ASSOCIATED WITH THE DESIGN.
- ALL WORK TO BE UNDERTAKEN IN ACCORDANCE WITH WHS LEGISLATION, WORKCOVER REQUIREMENTS, AUSGRID'S ELECTRICAL SAFETY RULES, BE SAFE PROCEDURES, NETWORK STANDARDS AND ALL OTHER SAFETY PLANS/PROCEDURES AND SWMS.

REFERENCE DRAWINGS

M.E.D. LAMP CHOKE PANELS STREET LIGHTING COLUMNS	B1-24969
H.P.S. LAMP CHOKE PANELS STREET LIGHTING COLUMNS	A1-56312
STREET LIGHTING COLUMNS WIND LOADING ALLOWABLE CONDITIONS	A2-118244
INSULATED SPIGOT (CLAMPED TYPE) FOR STREET LIGHTING COLUMNS	A2-151959
33.7mm INSULATED SPIGOT CLAMP TYPE FOR STREET LIGHTING COLUMNS	A2-240795
STANDARD CONSTRUCTION S/L COLUMN PILE FOOTING DETAILS	A2-514087

NOTES

- ALL STEELWORK TO BE FABRICATED IN ACCORDANCE WITH AS 3990.
- UNLESS NOTED OTHERWISE:
 - ALL HOT ROLLED FLATS TO BE GRADE 250 MINIMUM IN ACCORDANCE WITH AS 1594.
 - ALL HOT ROLLED SECTIONS TO BE GRADE 250 MINIMUM IN ACCORDANCE WITH AS 3679.
 - ALL HOLLOW SECTIONS TO BE GRADE C350 IN ACCORDANCE WITH AS 1163.
- AFTER FABRICATION, ALL BURRS AND SHARP EDGES TO BE REMOVED.
- ALL WELDING TO BE IN ACCORDANCE WITH AS 1554 PART 1.
- CONSUMABLES (ELECTRODES) SHALL BE MATCHED WITH THE STEEL TYPE IN COMPLIANCE WITH AS/NZS 1554.1 TABLE 4.6.1(A) & THE RELEVANT COLUMNS OF THE TABLE DEPENDING ON THE TYPE OF WELDING PROCESS BEING UNDERTAKEN.
- UNLESS NOTED OTHERWISE:
 - ALL WELDS SHALL BE 6mm CONTINUOUS FILLET WELDS, CATEGORY GP.
 - BUTT WELDS SHALL BE CONTINUOUS FULL PENETRATION, CATEGORY SP.
 - ALL WELDS TO BE CARRIED OUT IN THE SHOP UNLESS NOTED AS 'WELD ON SITE'.
- WELDS SHALL BE INSPECTED TO AS/NZS 1554.1 CLAUSE 7.3 (VISUAL INSPECTION OF WORK) UNLESS THE WELDING PROCESS IS SUPERVISED AND CARRIED OUT BY QUALIFIED PERSONNEL AS DEFINED IN AS/NZS 1554.1 CLAUSE 4.12.1 AND CLAUSE 4.12.2.
- AFTER FABRICATION, ALL WELDS TO BE CHIPPED FREE OF SLAG.
- AFTER FABRICATION, ALL STEELWORK TO BE HOT DIP GALVANISED TO AS 4680.
- AFTER GALVANISING, ALL HOLES TO BE CLEARED AND SHARP EDGES TO BE REMOVED.
- WHERE THE GALVANISING FINISH HAS BEEN DAMAGED, AREA TO BE TREATED WITH COLD GALVANISING PAINT SIMILAR TO ZNCFIX. COATINGS TO BE APPLIED IN ACCORDANCE WITH THE MANUFACTURERS INSTRUCTIONS.
- ALL BOLTS, NUTS AND WASHERS TO BE HOT DIP GALVANISED TO AS 1214.
- EACH SECTION OF COLUMN SHALL BE MADE FROM ONE CONTINUOUS LENGTH OF TUBE. SECTIONS JOINED BY WELDING WILL NOT BE ACCEPTED.
- ALL WELDED JOINTS TO BE SEAL WELDED.
- DRAWING TO BE READ IN CONJUNCTION WITH ASSOCIATED SPECIFICATION.
- TOLERANCING IS TO BE IN ACCORDANCE WITH AS 1798.
- COLUMNS SHALL BE CAPABLE OF SUPPORTING THE LANTERN MASS & WITHSTANDING THE WINDFORCES TO AS 1170.2 & AS SPECIFIED ON DRAWING A2-118244.
- SLOTTED HOLES IN BASEPLATE ARE TO SUIT 330mm & 350mm P.C.D. MOUNTINGS TO CONFIRM TO FIG 1 LIMIT GUAGE AS FOUND IN A.S. 1798.
- COAT BASEPLATE FROM BOTTOM TO 300mm ABOVE GROUND LINE WITH 2 COATS OF 125MICRONS THICK DULUX "DUREBILD S.T.E." EPOXY MASTIC.

CAD DRAWING	
DO NOT MANUALLY AMEND	
AMENDMENTS	
1. DIMENSION Y ADDED REF F-4, DIM H CLARIFIED REF E-7 & A-10, REF DETAILS ADDED REF D-4, TOLERANCE OF OUTREACH ANGLE DELETED REF B-1.	14.87 C.SANDY K.E.M.
2. NOTE 9 ADDED DIM H CLARIFIED REF F-6, BASE PLATE DETAILS ADDED REF B-4, OVERLAP DETAILS ADDED REF D-6.	4.8.87 C.SANDY K.E.M.
3. DIMENSION H 20 WAS 270, H 4.8 WAS 130, DIMENSION C ADDED REF D-4, DIMENSION D ADDED TO OPPOSITE SIDE OF PANEL REF F-4.	23.11.87 C.SANDY K.E.M.
4. DRAWING REDRAWN, BASE PLATE ADDED REF B-4, SUIT A.S. CODE 1798, NOTE 9 ADDED, REF B-6 ADDED TO TABLE.	24.01.89 C.SANDY K.E.M.
5. DIMENSION A, B, C, D, E, F, G, H, I, J, K, L, M, N, O, P, Q, R, S, T, U, V, W, X, Y, Z, AA, AB, AC, AD, AE, AF, AG, AH, AI, AJ, AK, AL, AM, AN, AO, AP, AQ, AR, AS, AT, AU, AV, AW, AX, AY, AZ, BA, BB, BC, BD, BE, BF, BG, BH, BI, BJ, BK, BL, BM, BN, BO, BP, BQ, BR, BS, BT, BU, BV, BW, BX, BY, BZ, CA, CB, CC, CD, CE, CF, CG, CH, CI, CJ, CK, CL, CM, CN, CO, CP, CQ, CR, CS, CT, CU, CV, CW, CX, CY, CZ, DA, DB, DC, DD, DE, DF, DG, DH, DI, DJ, DK, DL, DM, DN, DO, DP, DQ, DR, DS, DT, DU, DV, DW, DX, DY, DZ, EA, EB, EC, ED, EE, EF, EG, EH, EI, EJ, EK, EL, EM, EN, EO, EP, EQ, ER, ES, ET, EU, EV, EW, EX, EY, EZ, FA, FB, FC, FD, FE, FF, FG, FH, FI, FJ, FK, FL, FM, FN, FO, FP, FQ, FR, FS, FT, FU, FV, FW, FX, FY, FZ, GA, GB, GC, GD, GE, GF, GG, GH, GI, GJ, GK, GL, GM, GN, GO, GP, GQ, GR, GS, GT, GU, GV, GW, GX, GY, GZ, HA, HB, HC, HD, HE, HF, HG, HH, HI, HJ, HK, HL, HM, HN, HO, HP, HQ, HR, HS, HT, HU, HV, HW, HX, HY, HZ, IA, IB, IC, ID, IE, IF, IG, IH, II, IJ, IK, IL, IM, IN, IO, IP, IQ, IR, IS, IT, IU, IV, IW, IX, IY, IZ, JA, JB, JC, JD, JE, JF, JG, JH, JI, JJ, JK, JL, JM, JN, JO, JP, JQ, JR, JS, JT, JU, JV, JW, JX, JY, JZ, KA, KB, KC, KD, KE, KF, KG, KH, KI, KJ, KL, KM, KN, KO, KP, KQ, KR, KS, KT, KU, KV, KW, KX, KY, KZ, LA, LB, LC, LD, LE, LF, LG, LH, LI, LJ, LK, LL, LM, LN, LO, LP, LQ, LR, LS, LT, LU, LV, LW, LX, LY, LZ, MA, MB, MC, MD, ME, MF, MG, MH, MI, MJ, MK, ML, MM, MN, MO, MP, MQ, MR, MS, MT, MU, MV, MW, MX, MY, MZ, NA, NB, NC, ND, NE, NF, NG, NH, NI, NJ, NK, NL, NM, NN, NO, NP, NQ, NR, NS, NT, NU, NV, NW, NX, NY, NZ, OA, OB, OC, OD, OE, OF, OG, OH, OI, OJ, OK, OL, OM, ON, OO, OP, OQ, OR, OS, OT, OU, OV, OW, OX, OY, OZ, PA, PB, PC, PD, PE, PF, PG, PH, PI, PJ, PK, PL, PM, PN, PO, PP, PQ, PR, PS, PT, PU, PV, PW, PX, PY, PZ, QA, QB, QC, QD, QE, QF, QG, QH, QI, QJ, QK, QL, QM, QN, QO, QP, QQ, QR, QS, QT, QU, QV, QW, QX, QY, QZ, RA, RB, RC, RD, RE, RF, RG, RH, RI, RJ, RK, RL, RM, RN, RO, RP, RQ, RR, RS, RT, RU, RV, RW, RX, RY, RZ, SA, SB, SC, SD, SE, SF, SG, SH, SI, SJ, SK, SL, SM, SN, SO, SP, SQ, SR, SS, ST, SU, SV, SW, SX, SY, SZ, TA, TB, TC, TD, TE, TF, TG, TH, TI, TJ, TK, TL, TM, TN, TO, TP, TQ, TR, TS, TT, TU, TV, TW, TX, TY, TZ, UA, UB, UC, UD, UE, UF, UG, UH, UI, UJ, UK, UL, UM, UN, UO, UP, UQ, UR, US, UT, UY, UZ, VA, VB, VC, VD, VE, VF, VG, VH, VI, VJ, VK, VL, VM, VN, VO, VP, VQ, VR, VS, VT, VU, VV, VW, VX, VY, VZ, WA, WB, WC, WD, WE, WF, WG, WH, WI, WJ, WK, WL, WM, WN, WO, WP, WQ, WR, WS, WT, WU, WV, WW, WX, WY, WZ, XA, XB, XC, XD, XE, XF, XG, XH, XI, XJ, XK, XL, XM, XN, XO, XP, XQ, XR, XS, XT, XU, XV, XW, XX, XY, XZ, YA, YB, YC, YD, YE, YF, YG, YH, YI, YJ, YK, YL, YM, YN, YO, YP, YQ, YR, YS, YT, YU, YV, YW, YX, YY, YZ, ZA, ZB, ZC, ZD, ZE, ZF, ZG, ZH, ZI, ZJ, ZK, ZL, ZM, ZN, ZO, ZP, ZQ, ZR, ZS, ZT, ZU, ZV, ZW, ZX, ZY, ZZ.	

MECHANICAL DESIGN
570 GEORGE STREET
SYDNEY NSW 2000

SCALE: 1 : 5, 20

DESIGNED: COLIN SAWDY

CHECKED: K.E.M.

APPROVED: J.H.

DATE: 26.02.1987

TRIM REF: 2016/2589

PROJECT NUMBER: ES 22531

**STREET LIGHTING
STEEL STANDARDS
4.5m OR 6m OUTREACH ARM
BASEPLATE MOUNTED
LIMITING DIMENSIONS**

DRAWING No **115041** SHEET 1 AMD 13 SIZE B1