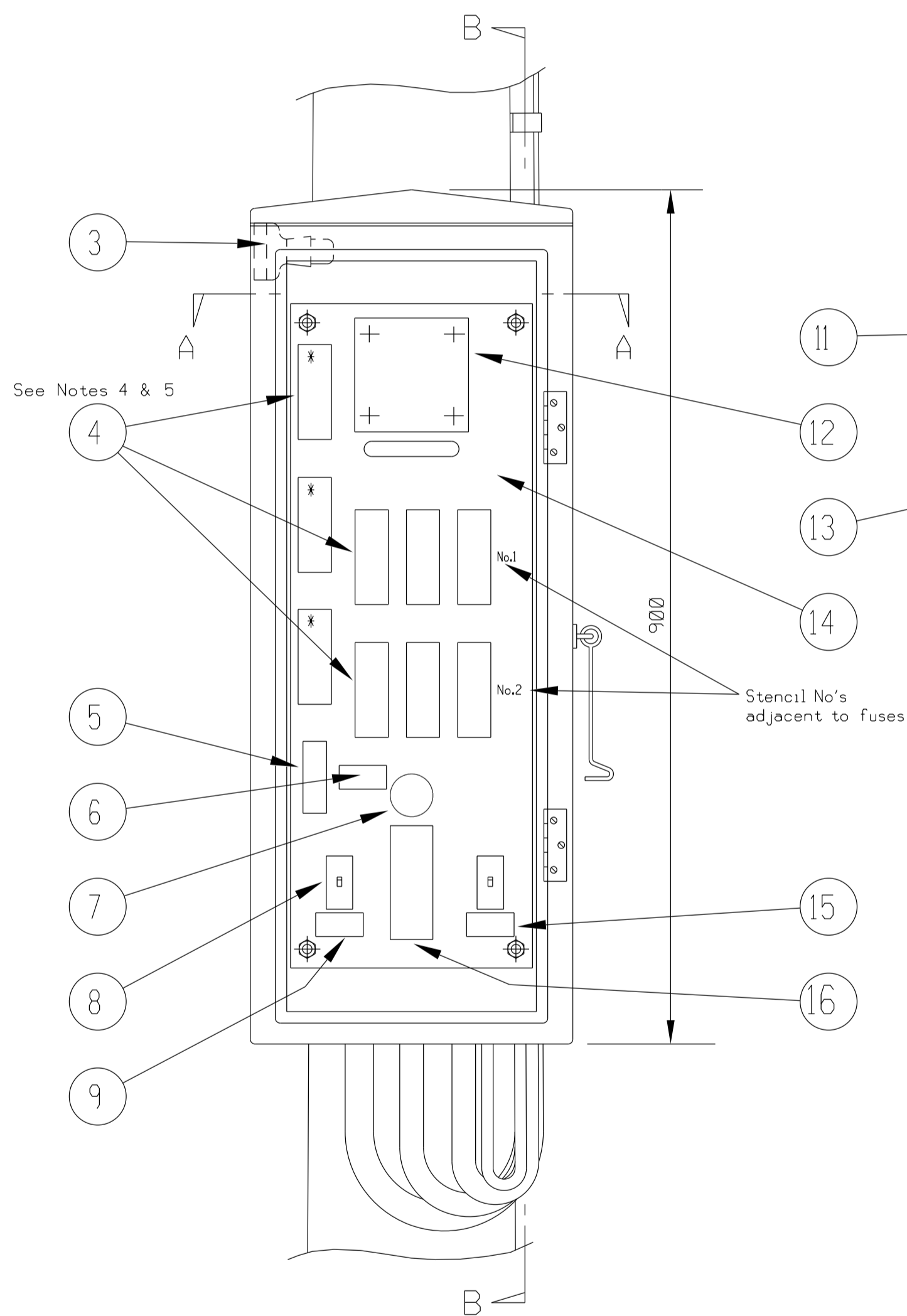
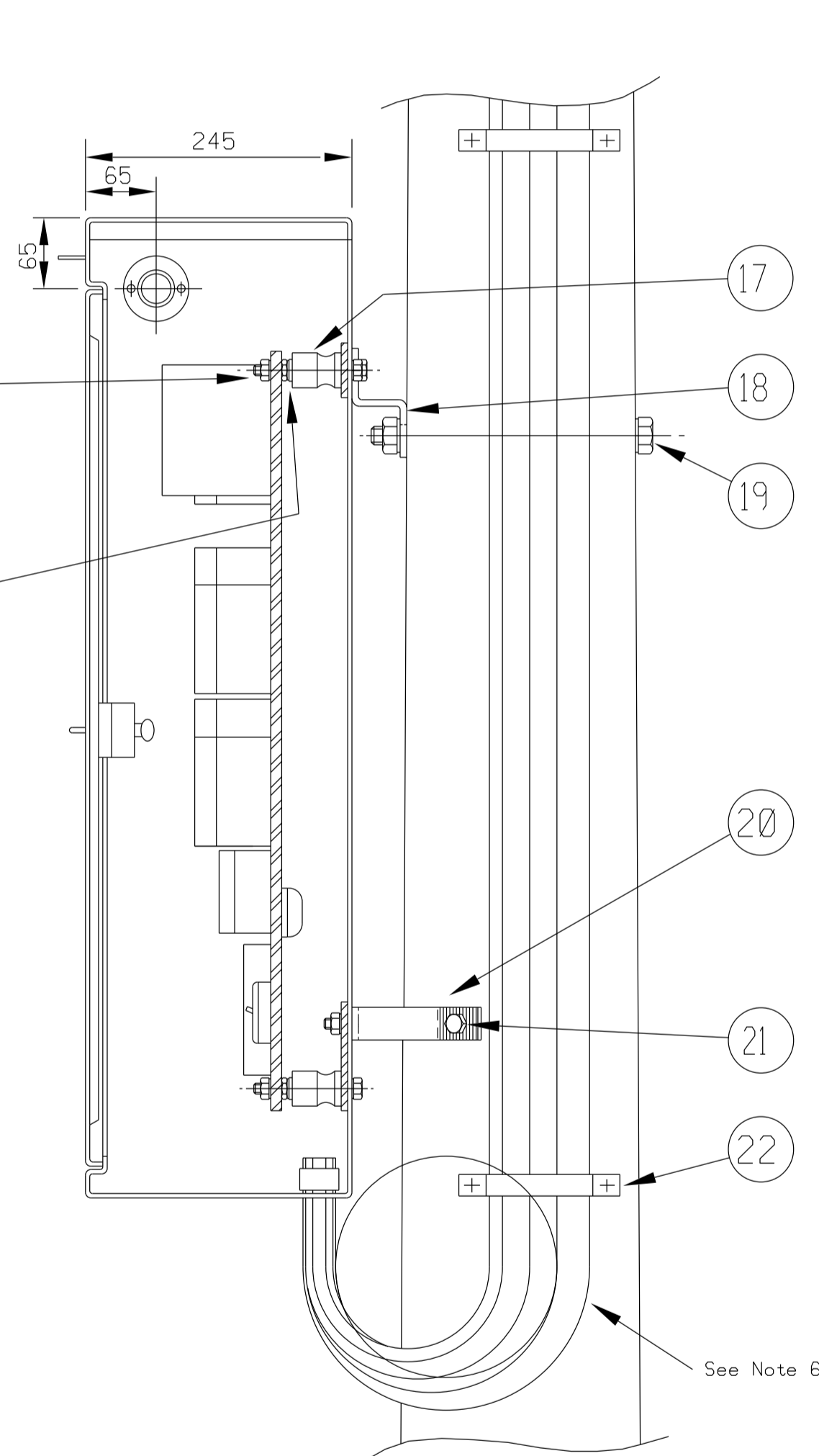


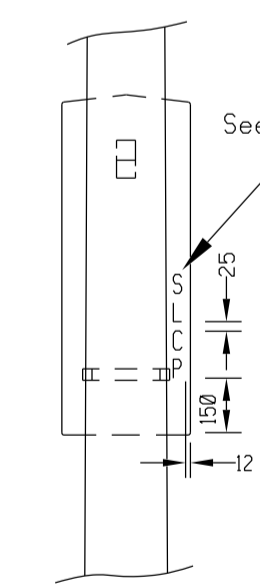
SECTION A.A



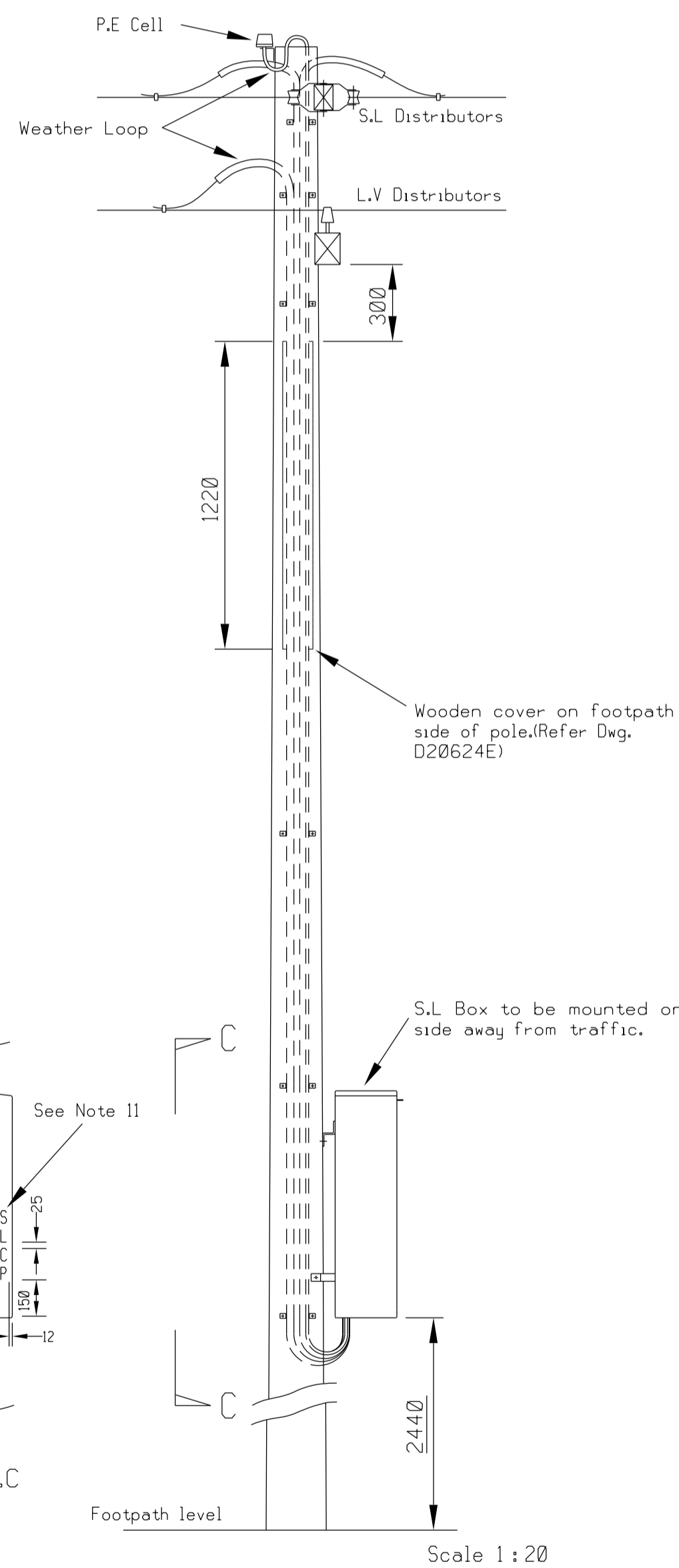
FRONT VIEW
(With door removed)



SECTION B.B

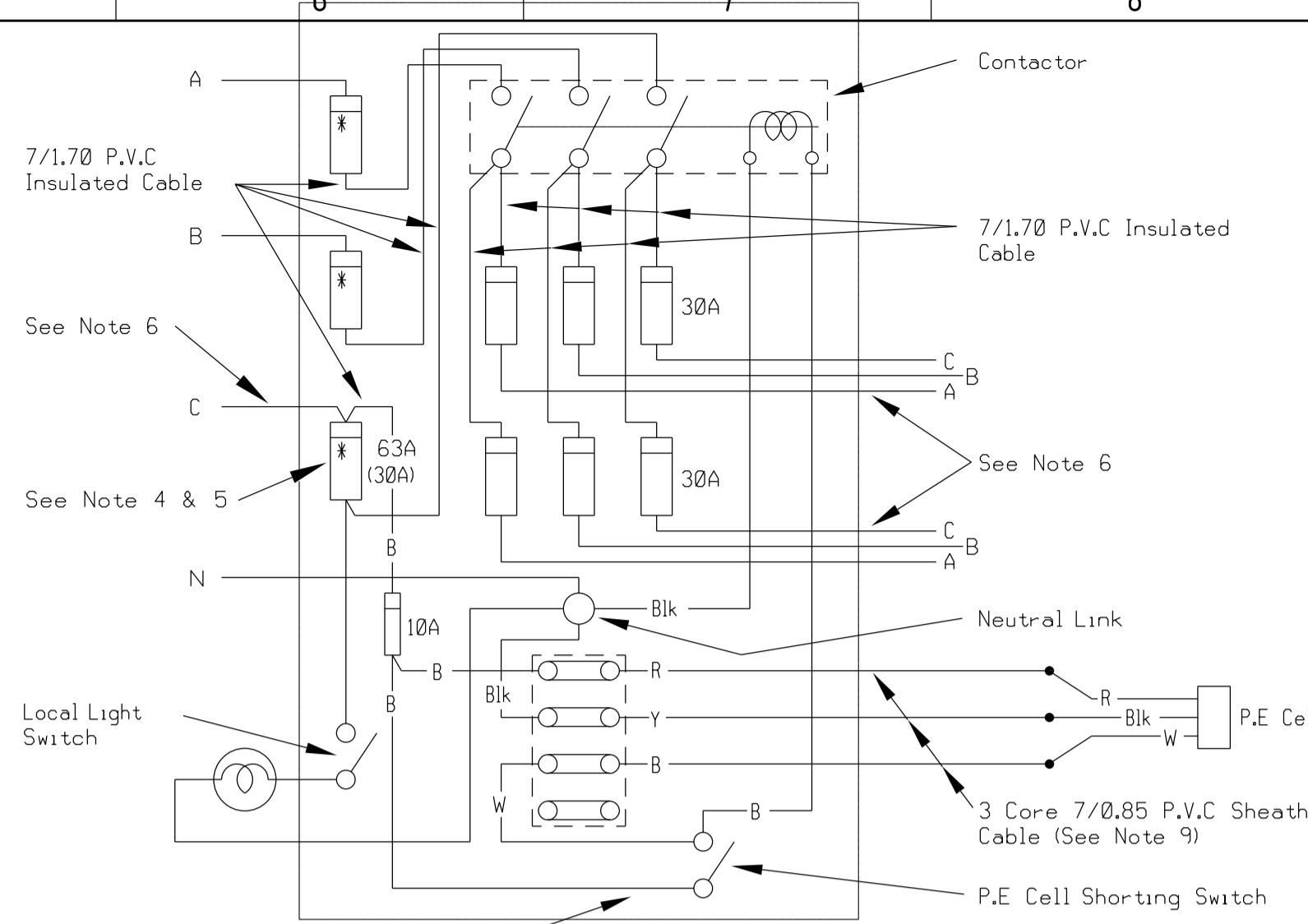


VIEW C.C



Scale 1:20

All wiring to be 7/0.50 P.V.C insulated except where otherwise stated



NOTES

- ALL EQUIPMENT ON CONTROL PANEL TO BE FRONT CONNECTED.
- CONTACTOR (ITEM 12) & FUSES TO BE FIXED TO PANEL USING M5 SCREWS & 'RAWLNUTS', ARCHITRAVE SWITCHES SECURED BY M3 SCREWS & 'RAWLNUTS'.
- ALL MOUNTING HOLES & CONDUIT ENTRIES TO BE SEALED WITH APPROVED WATERPROOF COMPOUND.
- FOR A 2 CIRCUIT PANEL, FUSES IN INCOMING LINE (MARKED THUS) TO BE LOADED WITH 63A, H.R.C FUSES. OUTGOING CIRCUIT TO BE LOADED WITH 30A, H.R.C FUSES.
- FOR A SINGLE CIRCUIT PANEL, FUSES IN INCOMING LINE (MARKED THUS) TO BE LOADED WITH 30A, H.R.C FUSES AND THE 6 FUSES IN THE OUTGOING CIRCUIT TO BE OMITTED. THE OUTGOING CIRCUIT BEING CONNECTED DIRECTLY TO THE CONTACTOR TERMINALS.
- INCOMING CABLE TO BE 4 CORE 7/1.70 P.V.C INSULATED, P.V.C SHEATHED. OUTGOING CABLE TO BE 3 CORE 7/1.70 P.V.C INSULATED, P.V.C SHEATHED. OUTER SHEATHING TO BE REMOVED FROM CABLE AT OVERHEAD MAINS END & CORES TO BE THREADED THROUGH BLACK P.V.C TUBING, FROG EFFECTIVELY TAPED, PRIOR TO CONNECTION TO MAINS.
- A LAMINATED ENGRAVING MATERIAL LABEL, SIZE 100 x 75mm INSCRIBED WITH THE OUTGOING S.L CIRCUIT NAMES, IS TO BE ATTACHED TO THE INSIDE FACE OF THE DOOR.
- A HOOK, OR METAL CONTAINER FOR S.L ENVELOPES TO BE SECURED TO INSIDE FACE OF DOOR.
- CABLE FOR CONNECTION TO P.E CELL TO BE RUN UP POLE WITH OTHER CABLES IN NORMAL MANNER ALLOWING SUFFICIENT LENGTH TO EXTEND 300mm BEYOND TOP OF POLE.
- 4 WAY TERMINAL BLOCK (ITEM 16) TO BE FITTED WITH A PLASTIC COVER (D-33740).
- S.L.C.P SIGN ON REAR OF HOUSING (REF.G6) TO BE COMPILED OF 50mm HIGH x 25mm WIDE LETTERS IN SELF ADHESIVE WHITE REFLECTIVE MATERIAL.

HOUSING DETAILS	A2-20082
PANEL DRILLING DETAILS	A2-20083

ITEM No.	DESCRIPTION	MATERIAL	No. OFF	REMARKS
22	CONDUIT SADDLE	GALV. M/STEEL	AS REQ'D	
21	12 x 75mm COACH SCREWS	GALV. M/STEEL	2	
20	LOWER SUPPORT BRACKET	GALV. M/STEEL	1	REFER A2-20082
19	M20 H/HD BOLT, NUT & 2 WASHERS	GALV. M/STEEL	1	LENGTH TO SUIT POLE *
18	UPPER SUPPORT BRACKET	GALV. M/STEEL	1	REFER A2-20082
17	BUTTON INSULATOR	PORCELAIN	4	A.P.I No.8 OR EQUIV.
16	4 WAY TERMINAL BLOCK (See Note 10)		1	REFER A3-12835
15	50 x 25mm LABEL 'P.E CELL SHORTING SWITCH'	'TRAFFOLYTE'	1	
14	PANEL	ELECTRICAL PANEL	1	REFER A2-20083
13	'11 I.D SPECIAL WASHER	RED FIBRE	4	
12	100A.T/P CONTACTOR - AC3(1)		1	
11	M10 x 100mm H/HD BOLT,NUT & WSHRS	GALV. M/STEEL	4	
10	ABLOY A7 LOCK	S/C 175272	1	
9	50 x 25mm LABEL - 'LIGHT SWITCH'	'TRAFFOLYTE'	1	
8	10A.S/P ARCHITRAVE SW. & MTG BLOCK		2	
7	NEUTRAL LINK (7 WAY)		1	MOUNTED ON REAR
6	50 x 25mm LABEL 'NOT CONTROLLED BY MAIN FUSES'	'TRAFFOLYTE'	1	
5	10A.FUSE (E.E TYPE NS-H)		1	
4	660V. 63A FUSE BASE & CARRIER	(WITH SILVER PLATED CONTACTS)	3 - 9	SEE NOTES 4 & 5
3	B.C BATTEN HOLDER,MTG BLOCK & 15W P/LAMP		1	
2	M10 x 30mm H/HD SCREW,NUT & WSHR	GALV. M/STEEL	3	
1	WEATHERPROOF HOUSING (S/C 100271)	F.R.POLYESTER	1	REFER A2-20082

ITEM No.	DESCRIPTION	MATERIAL	No. OFF	REMARKS
----------	-------------	----------	---------	---------

SCHEDULE OF COMPONENTS

CAD DRAWING
DO NOT MANUALLY AMEND
A. REVISIONS
22: NEW DRAWING MADE TO SHOW FIBREGLASS REINFORCED POLYESTER HOUSING LABELS (ITEMS 1 & 15) ADDED. D.L. & 15/06/2023. PN24985. CHECKED: M.P. APPROVED: B.J.L.
DWN: P.R.
CHKD: G.F.
APP'D: G.F.
DATE: 28/02/2023
ITEM 10 CHANGED.
23

20110901
19398-1.dgn 2/28/2023 9:55:10 AM

SCALE	AS SHOWN
DESIGNED	-
DRAWN	J.M.C
CHECKED	J.U
APPROVED	L.T.W
DATE	21/06/1955
PROJECT NUMBER	STD
PROJTRAK NUMBER	-

SIZE	DRAWING No	SHEET	AMD
A1	19398	1	23

NETWORK STANDARD
Ausgrid
145 NEWCASTLE RD WALLSEND, NSW 2287

STANDARD CONSTRUCTION
POLE MOUNTED STREET LIGHTING
CONTROL PANEL
GENERAL ASSEMBLY