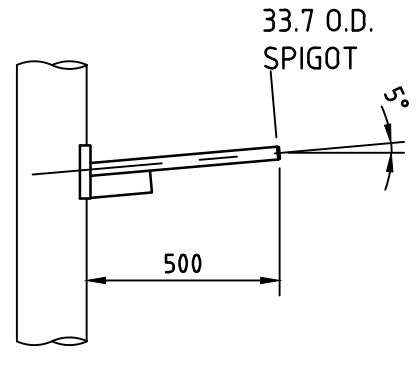
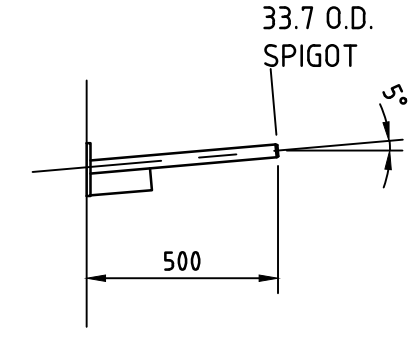


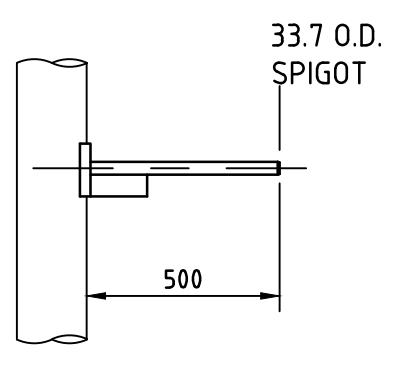
S/C N°	72348
DRG N°	A2-48728
MASS(Kg)	3.5
PRINCIPAL USE	SMALLER ROAD RESERVES UP TO 12m



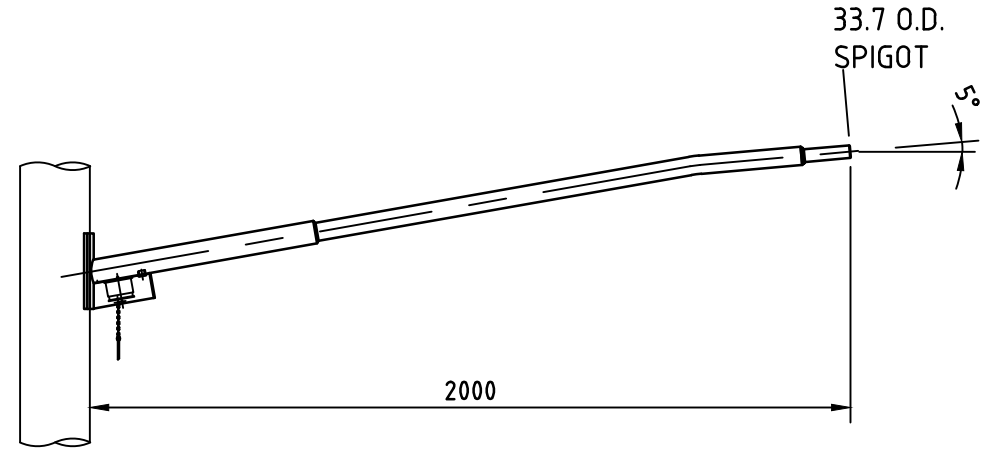
S/C N°	72330
DRG N°	A2-32329
MASS(Kg)	3.5
PRINCIPAL USE	WALL MOUNTING INTEGRAL GEAR



S/C N°	72322
DRG N°	A2-62405
MASS(Kg)	3.5
PRINCIPAL USE	SMALLER ROAD RESERVES UP TO 12m WITH GLARE ISSUES

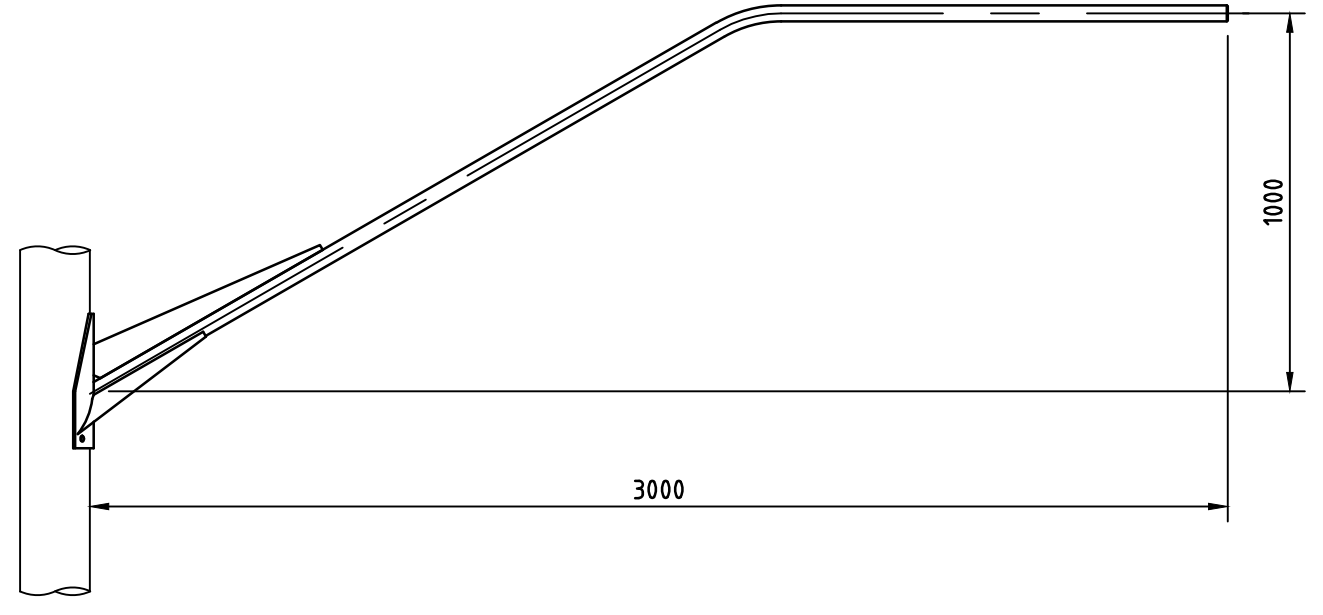


S/C N°	72421
DRG N°	A1-32330
MASS(Kg)	7
PRINCIPAL USE	WHEN A LONGER OUTREACH IS REQUIRED

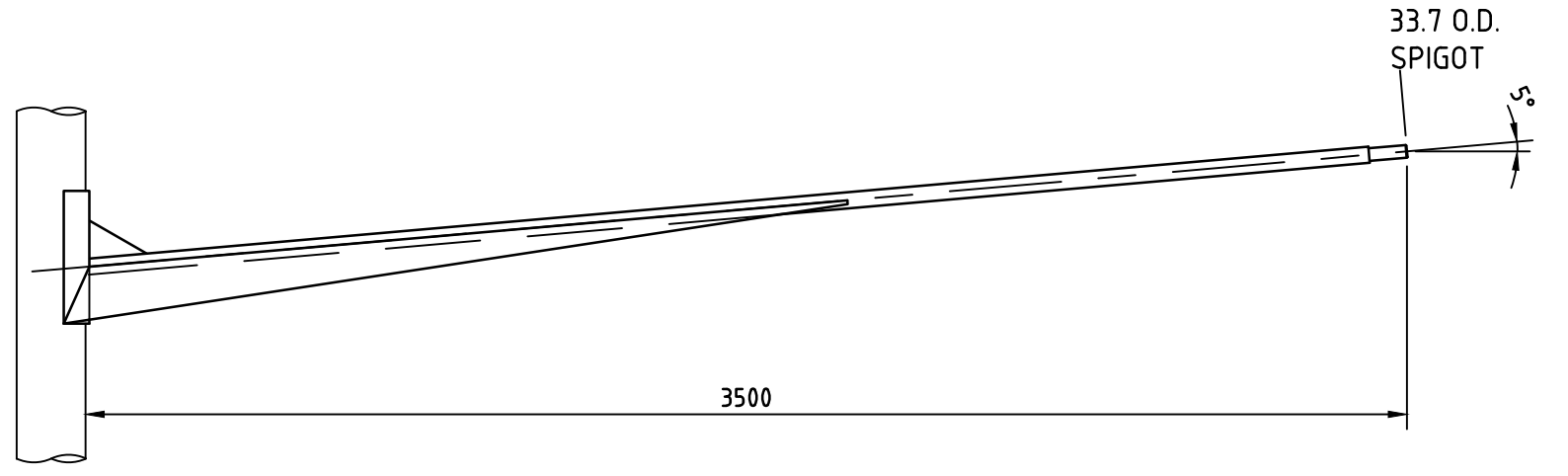


STANDARD BRACKET

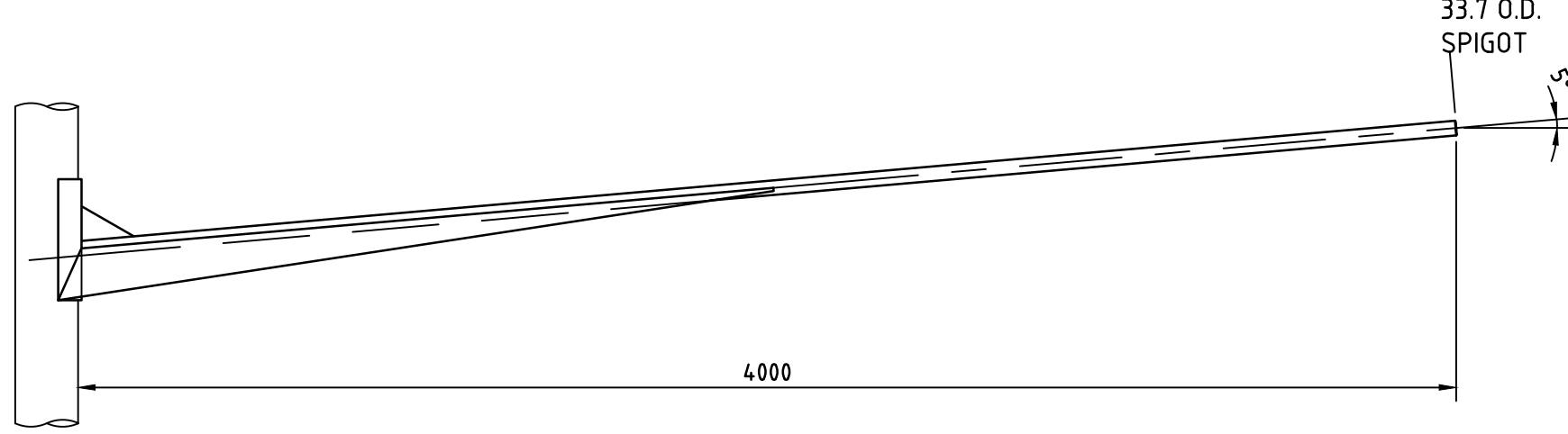
S/C N°	72439
DRG N°	D29188
MASS(Kg)	25
PRINCIPAL USE	FLOODLIGHT AT PEDESTRIAN CROSSING



S/C N°	72447
DRG N°	A1-46911
MASS(Kg)	54
PRINCIPAL USE	FOR TREE LINED STREETS



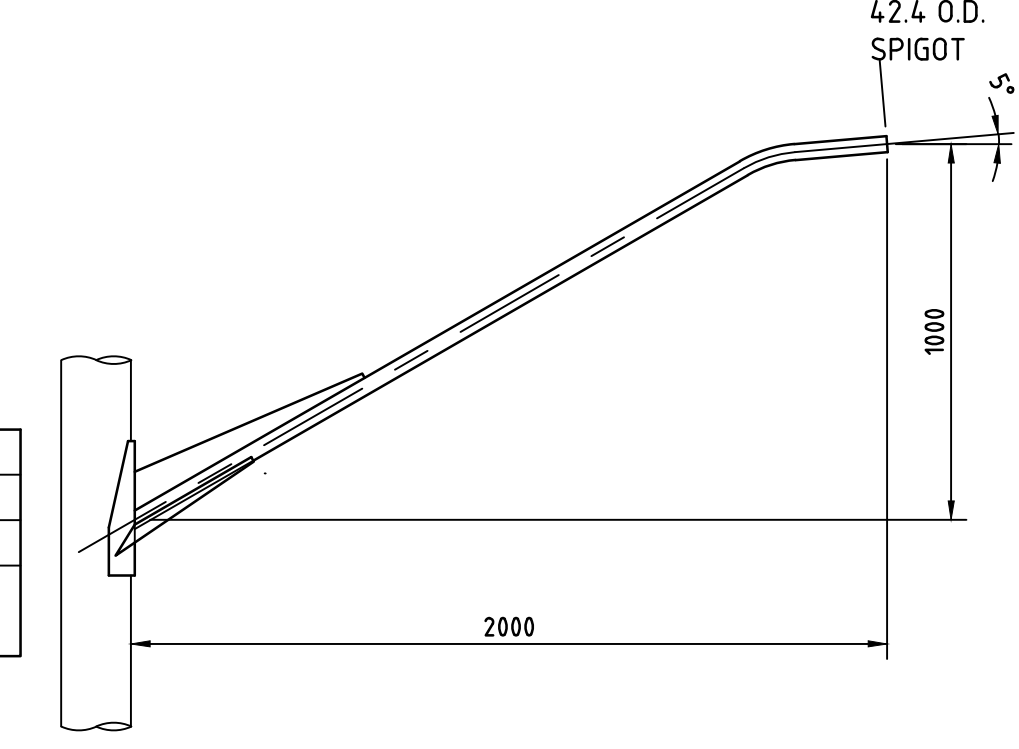
S/C N°	72397
DRG N°	A1-36355
MASS(Kg)	56
PRINCIPAL USE	PROBLEM STREETS WITH DENSE TREE GROWTH



RANGE OF BRACKETS AVAILABLE FOR MINOR ROADS
NOTE - BRACKETS ARE IDENTIFIED BY LENGTH OF OUTREACH

TYPE 1

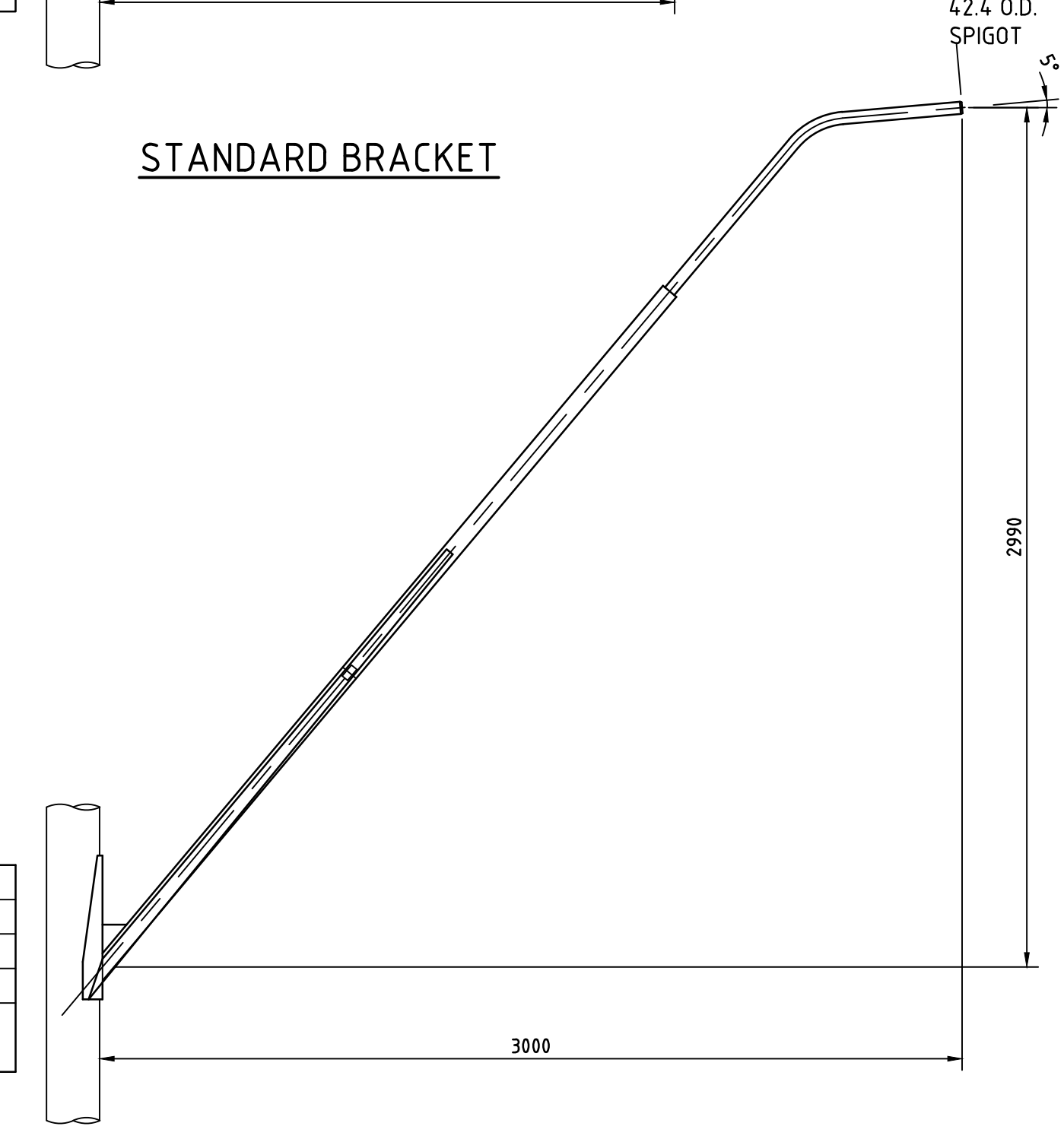
S/C N°	72280
DRG N°	A1-23227
MASS(Kg)	20
PRINCIPAL USE	WHEREVER POSSIBLE



STANDARD BRACKET

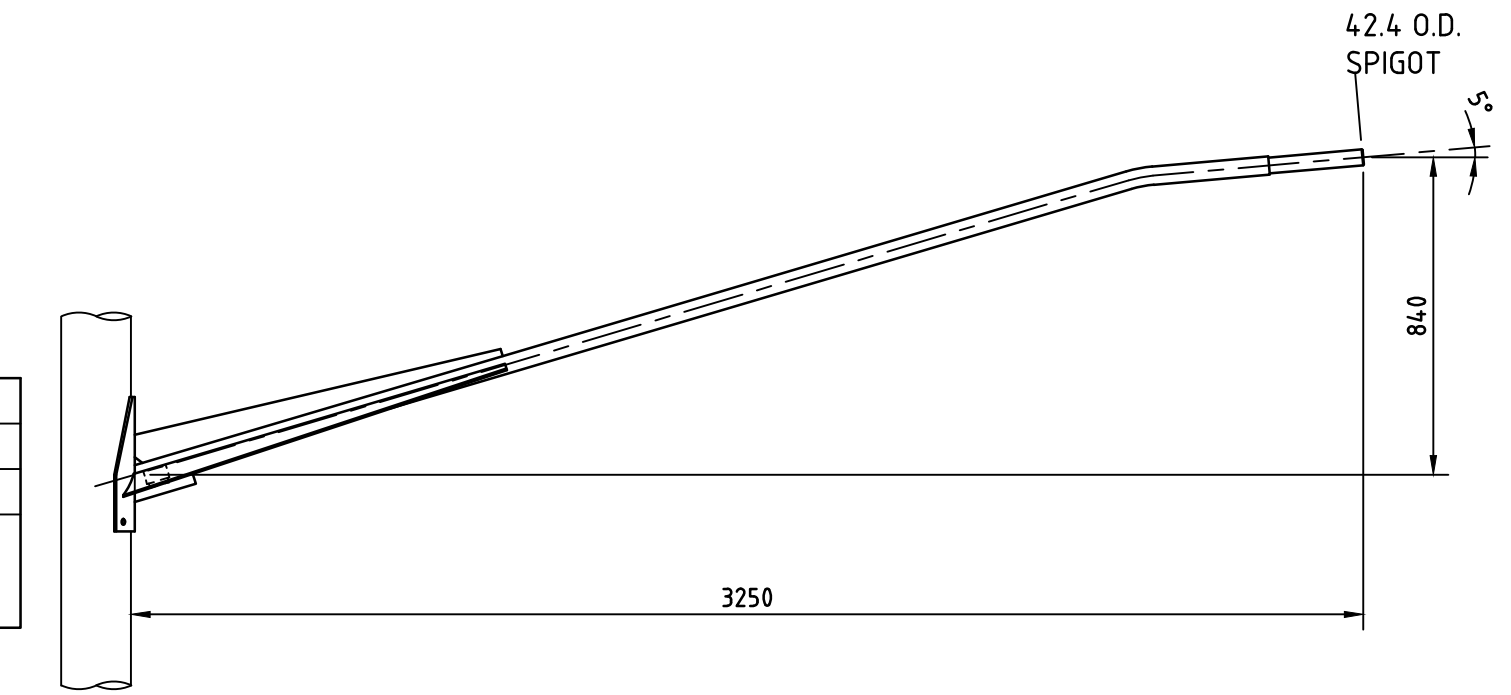
TYPE 2A

S/C N°	72264
DRG N°	B1-58188
MASS(Kg)	BASE 24 ARM 17 TOTAL 41
PRINCIPAL USE	TO CLEAR O.H.H.V. AND/OR EXTRA HEIGHT



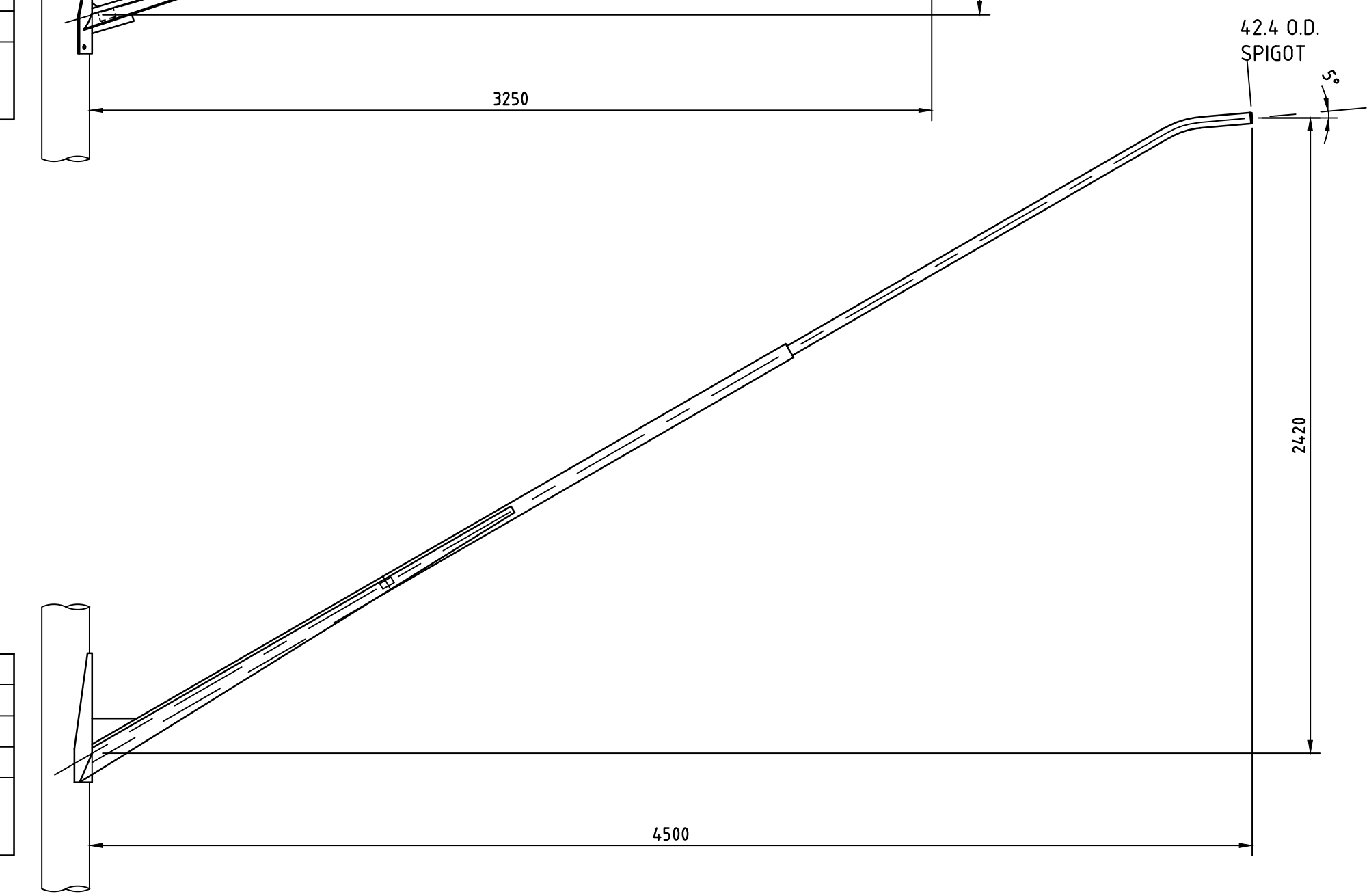
TYPE C

S/C N°	H65938
DRG N°	A1-515156
MASS(Kg)	24
PRINCIPAL USE	TO CLEAR OVERHEAD MAINS



TYPE 3A

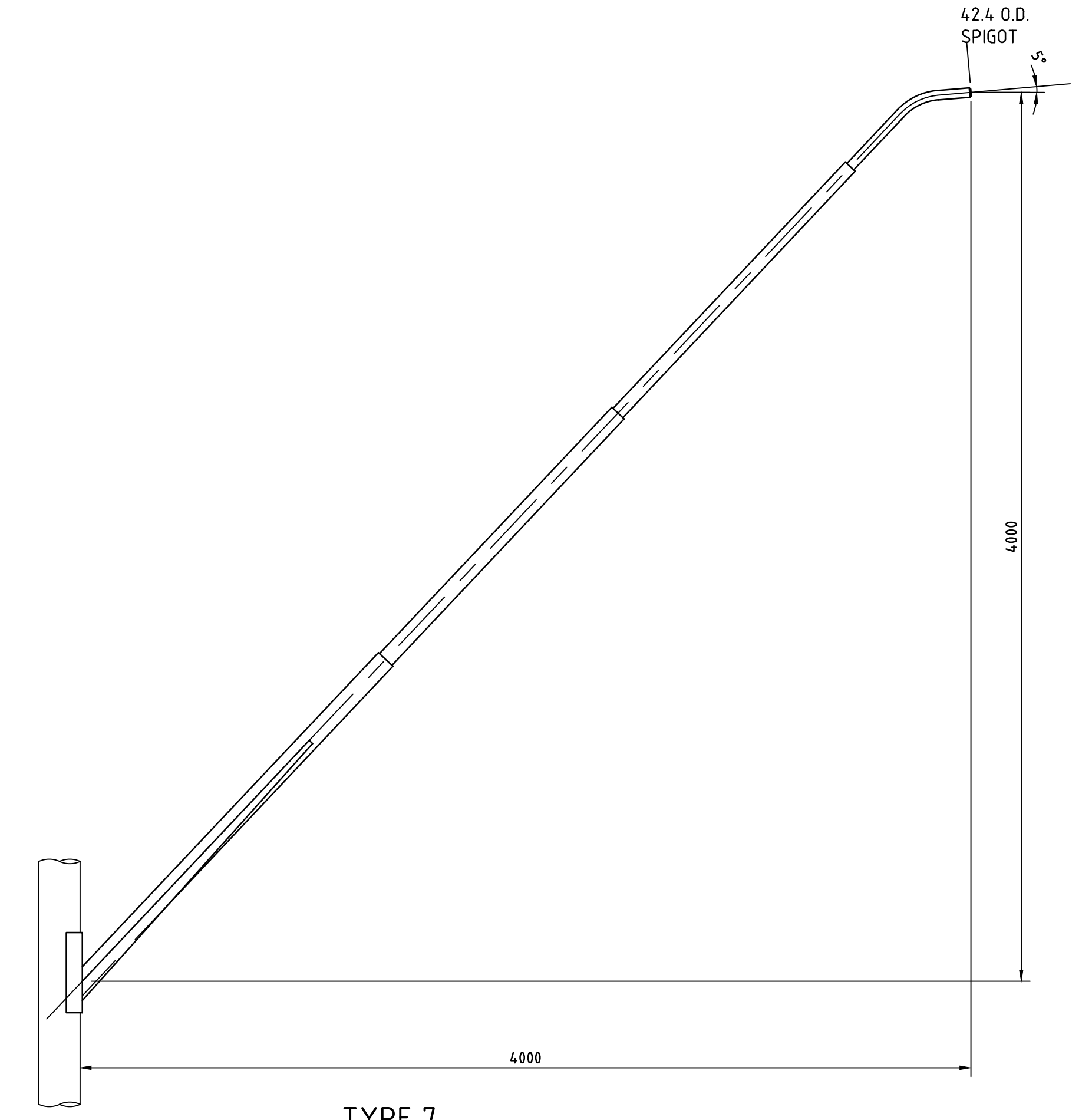
S/C N°	72272
DRG N°	B1-59737
MASS(Kg)	BASE 24 ARM 21 TOTAL 45
PRINCIPAL USE	TO CLEAR TREES & ON WIDE ROADS WITH ROUGH EDGES



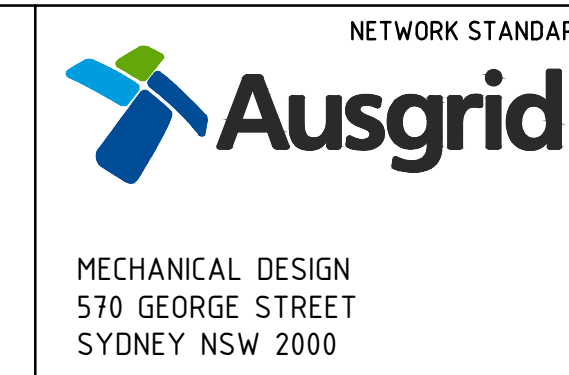
RANGE OF BRACKETS AVAILABLE FOR USE ON WOOD POLES FOR MAJOR ROADS
NOTE - BRACKETS ARE IDENTIFIED BY TYPE NUMBER

TYPE 7

S/C N°	72256
DRG N°	B1-66439
MASS(Kg)	58
PRINCIPAL USE	TO CLEAR O.H.H.V. AND/OR TREES & GIVE EXTRA HEIGHT



CAD DRAWING	
DO NOT MANUALLY AMEND	
A. M E N D I N T S	
1. S/L 000280 SPIGOT	27.7.90
2. SIZE WAS 34.5/L 0X0276	28.4.88
3. & 0X0278 REVERSED	28.4.88
4. P.N. 30000	24.4.87
5. C.S.A.M.D.Y. 8-7-92	24.4.87
6. CHECKED K.E.M.	
7. TYPE 7 BRACKET ADDED	
8. REF G-10.	
9. 3.1.2 METRE OUTREACH	
10. BRACKET ADDED TO THOSE	
11. FOR MINOR STREETS.	
12. P.N. 24457	
13. C.S.A.M.D.Y. 24.4.87	
14. CHECKED K.E.M.	
15. 4. MASS OF TYPE 7 BRACKET	
16. ENTERED FROM 51kg TO	
17. P.N. 30000	
18. C.S.A.M.D.Y. 27.7.90	
19. CHECKED K.E.M.	
20. INSULTED SPIGOT SHOWN (1)	
21. ALL STOCK LINE NOS. &	
22. DWG. Nos. UPDATED.	
23. AMC 8-7-92	
24. CHECKED C.S.A.M.D.Y.	
25. RANGE OF BRACKETS FOR MINOR	
26. STREETS ANGLE 5° WAS 10°	
27. P.J.H. 01.04.2009	
28. CHECKED GEORGE ANTONIOU	
29. DRAWING BORDER UPDATED.	
30. 1. 2. 3. 4. 5. 6. 7. 8. 9. 10. 11. 12. 13. 14. 15. 16. 17. 18. 19. 20. 21. 22. 23. 24. 25. 26. 27. 28. 29. 30. 31. 32. 33. 34. 35. 36. 37. 38. 39. 40. 41. 42. 43. 44. 45. 46. 47. 48. 49. 50. 51. 52. 53. 54. 55. 56. 57. 58. 59. 60. 61. 62. 63. 64. 65. 66. 67. 68. 69. 70. 71. 72. 73. 74. 75. 76. 77. 78. 79. 80. 81. 82. 83. 84. 85. 86. 87. 88. 89. 90. 91. 92. 93. 94. 95. 96. 97. 98. 99. 100.	
31. 1200mm OUTREACH BRACKETS	
32. REMOVED & NEW STYLE OF	
33. STANDARD BRACKET FOR MINOR	
34. STREETS ADDED TO THOSE	
35. REMOVED FROM MAJOR ROADS.	
36. FLOODLIGHT BRACKET ADDED &	
37. NEW TYPE C BRACKET ADDED.	
38. 1. 2. 3. 4. 5. 6. 7. 8. 9. 10. 11. 12. 13. 14. 15. 16. 17. 18. 19. 20. 21. 22. 23. 24. 25. 26. 27. 28. 29. 30. 31. 32. 33. 34. 35. 36. 37. 38. 39. 40. 41. 42. 43. 44. 45. 46. 47. 48. 49. 50. 51. 52. 53. 54. 55. 56. 57. 58. 59. 60. 61. 62. 63. 64. 65. 66. 67. 68. 69. 70. 71. 72. 73. 74. 75. 76. 77. 78. 79. 80. 81. 82. 83. 84. 85. 86. 87. 88. 89. 90. 91. 92. 93. 94. 95. 96. 97. 98. 99. 100.	
39. 1. 2. 3. 4. 5. 6. 7. 8. 9. 10. 11. 12. 13. 14. 15. 16. 17. 18. 19. 20. 21. 22. 23. 24. 25. 26. 27. 28. 29. 30. 31. 32. 33. 34. 35. 36. 37. 38. 39. 40. 41. 42. 43. 44. 45. 46. 47. 48. 49. 50. 51. 52. 53. 54. 55. 56. 57. 58. 59. 60. 61. 62. 63. 64. 65. 66. 67. 68. 69. 70. 71. 72. 73. 74. 75. 76. 77. 78. 79. 80. 81. 82. 83. 84. 85. 86. 87. 88. 89. 90. 91. 92. 93. 94. 95. 96. 97. 98. 99. 100.	
40. SPIGOT DIAMETERS FOR MAJOR	
41. STREETS CORRECTED.	
42. C.S.A.M.D.Y. 13.02.2017	
43. APPROVED K.GALLEN	



SCALE	1 : 20
DESIGNED	
DRAWN	COLIN SAWDY
CHECKED	K.E.M.
APPROVED	J.H.
DATE	09.09.1986
TRIM REF	2016/2589
PROJECT NUMBER	21944

STREET LIGHTING			
RANGE OF POLE AND WALL MOUNTED			
STREET LIGHTING BRACKETS			
DRAWING No	66251	SHEET	1
AMD	10	SIZE	B1

