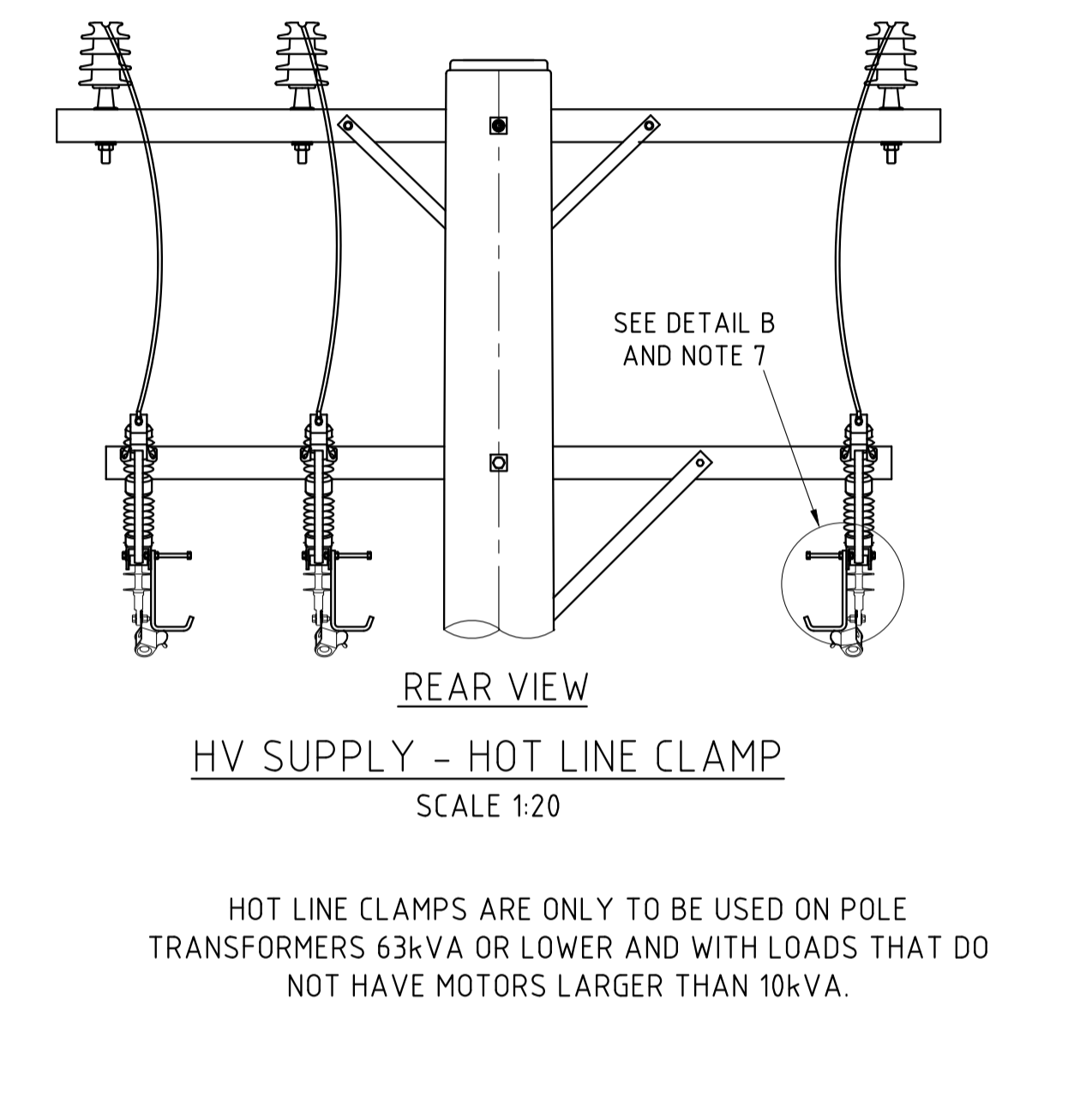
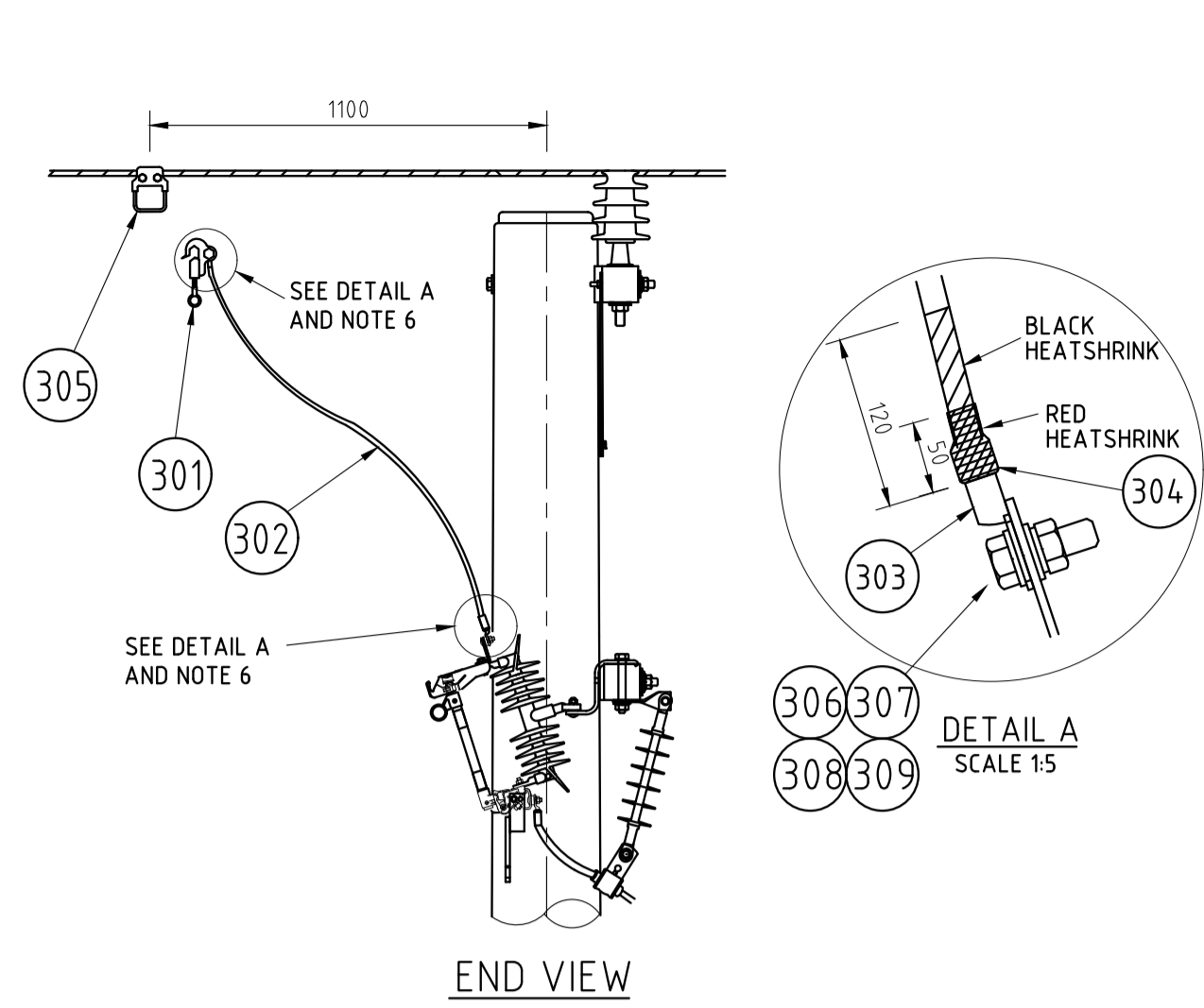


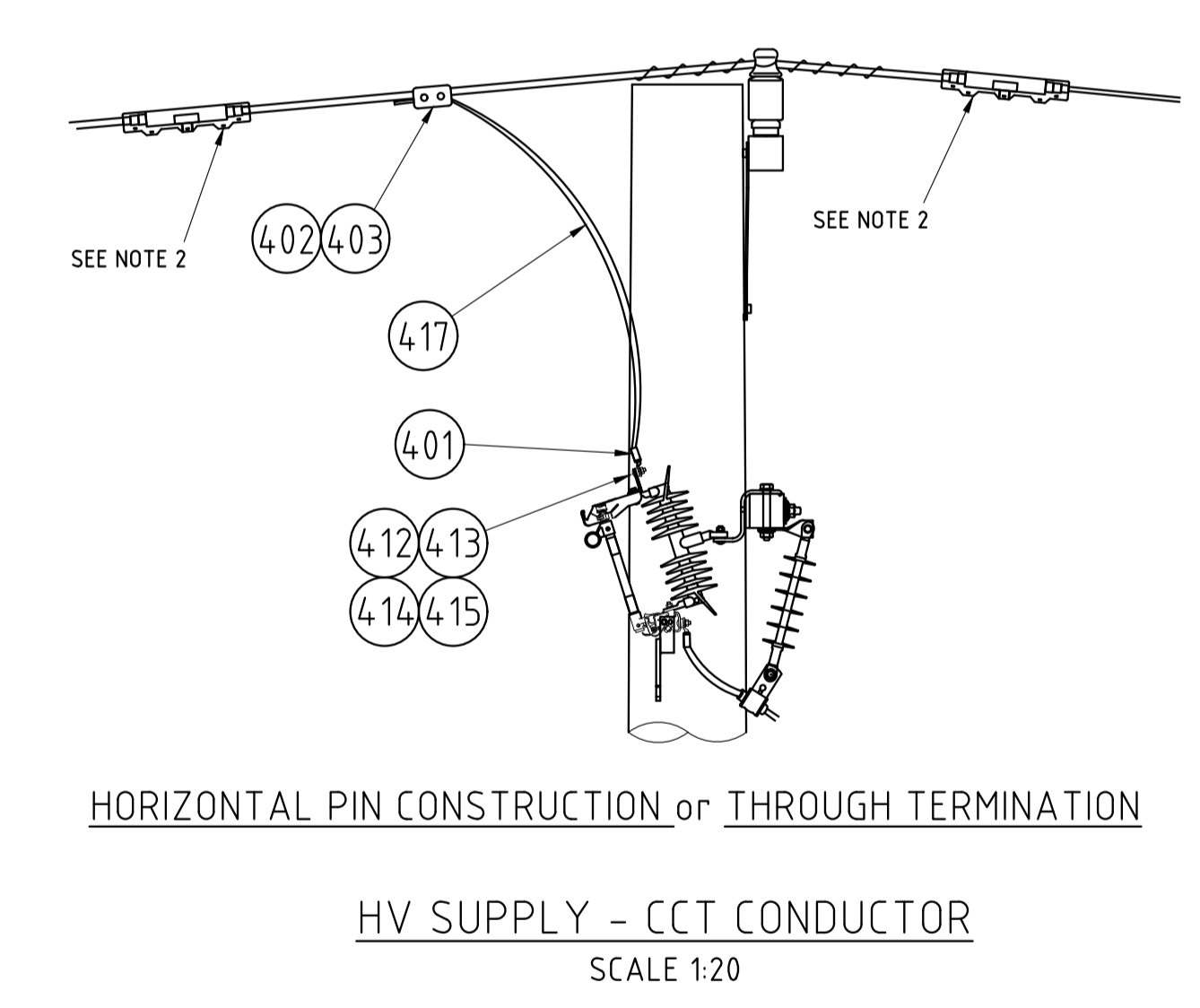
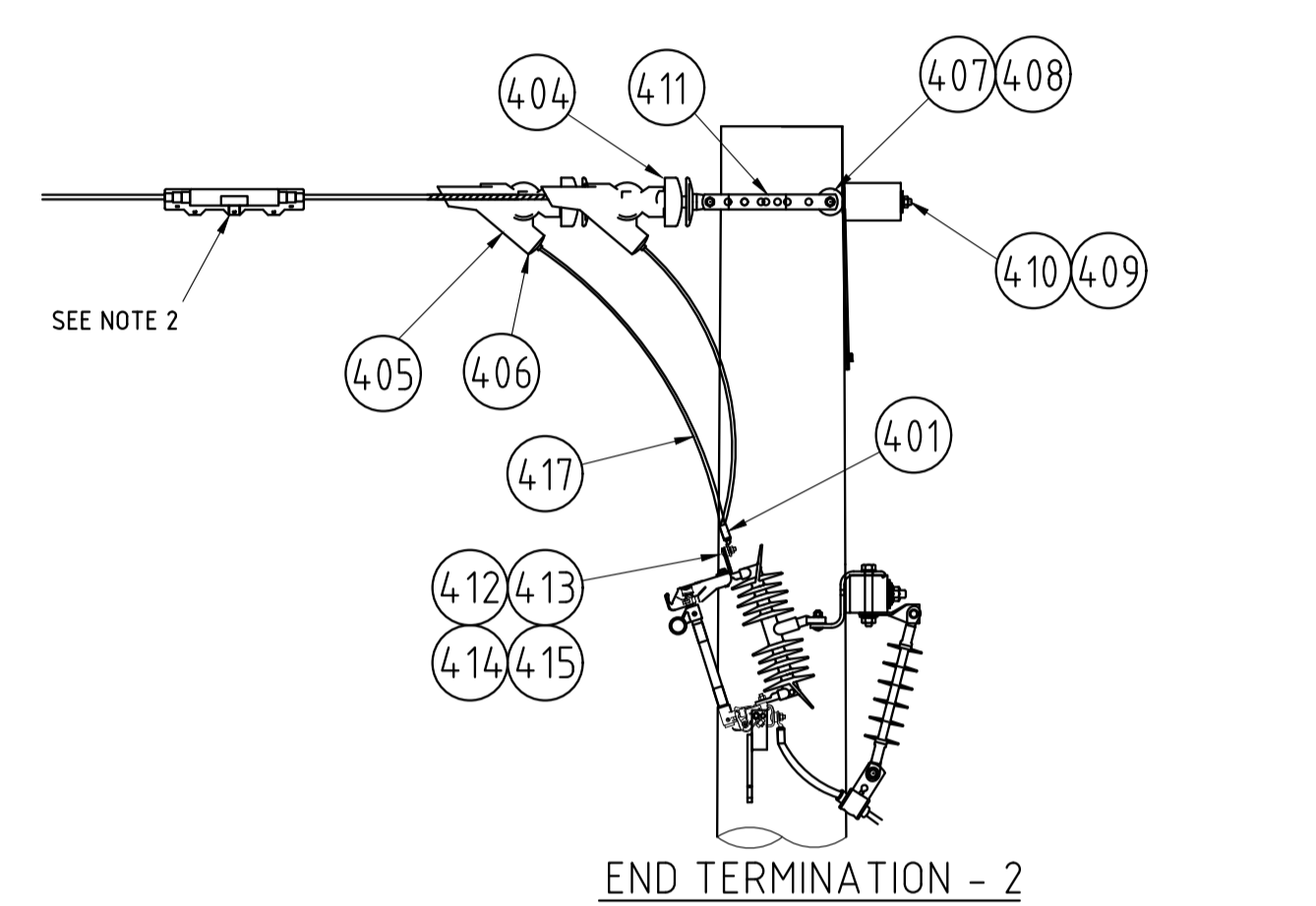
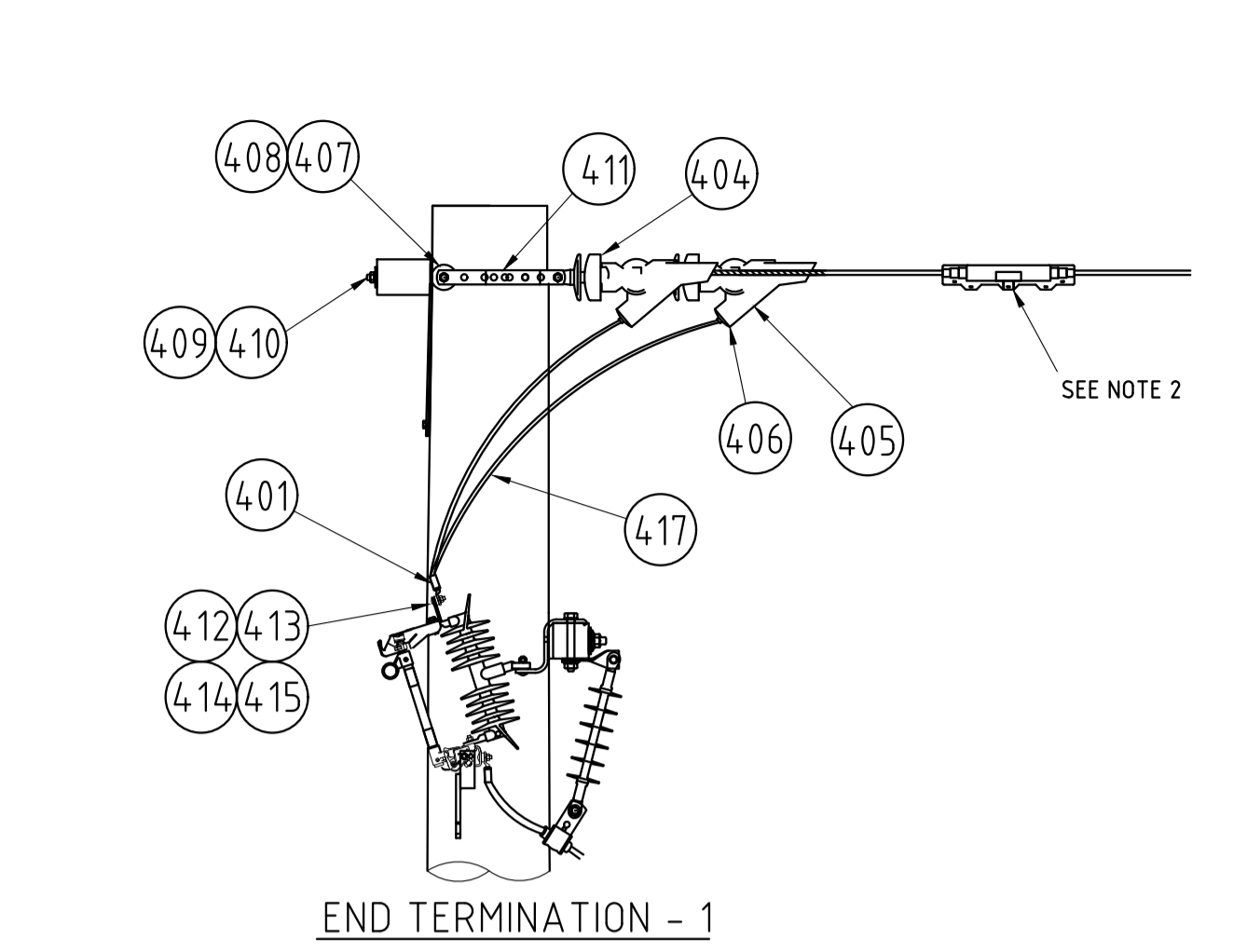
NOTES

1. DETAILS OF 11kV ARRANGEMENTS ARE TO NS126 AND NS122.
2. CCT STANDARD EARTHING POINT AND COVER TO BE INSTALLED AS DETAILED IN NS126.
3. COPPER CABLE MUST BE INSTALLED BELOW ALUMINIUM MAINS.
4. HOT LINE CLAMPS MAY BE INSTALLED ON END TERMINATION PROVIDED BAIL CLAMP IS CONNECTED ON MAINS AND NOT ON A PREFORMED DEADEND.
5. HOT LINE CLAMPS MUST BE CHECKED FOR TIGHTNESS BY TESTING FOR MOVEMENT AFTER CLAMP IS INSTALLED.
6. HEAVY DUTY 35mm² LUGS MUST BE USED ON HV FLEXIBLE CABLE. TWO CRIMP OPERATIONS ARE REQUIRED FOR COMPLETE TERMINATION OF CABLE INTO LUG TUNNEL.
7. THE 130mm BOLT SUPPLIED WITH THE HVDO SERVES A DUAL PURPOSE. IT IS USED TO ATTACH THE EARTH STIRRUP AND AS THE PARKING BOLT FOR THE HOT LINE CLAMP WHEN THE CLAMP IS DISCONNECTED FROM THE HV MAINS.
8. A HV SUPPORT CROSSARM IS REQUIRED FOR ALL INSTALLATIONS WHERE THE DISTANCE BETWEEN HV FEEDER & HV DROP-OUT FUSE CROSSARM IS EQUAL TO OR GREATER THAN 1500mm. THE SUPPORT CROSSARM IS TO BE CONSTRUCTED AS SHOWN IRRESPECTIVE OF THE TYPE OF HV MAINS CABLE, MIDWAY BETWEEN THE HV FEEDER AND HV DROP-OUT FUSE CROSSARM. REFER TO DRAWING 228823 FOR HV FEEDER SUPPORT CROSSARM DETAILS.
9. CCT CABLE (SIZED TO SUIT THE FEEDER RATING) IS TO BE USED ON ALL POLES REQUIRING A HV SUPPORT CROSS ARM.

ITEM	DESCRIPTION	DWG. NO.	STOCK CODE	QTY.
HV END TERMINATION				
151	BOLT HEX HEAD STAINLESS STEEL M10 X 40mm		45096	3
152	NUT HEX HEAD STAINLESS STEEL M10		H39401	3
153	WASHER STAINLESS STEEL M10 X 21 X 1.2mm		49411	6
154	SPRING WASHER STAINLESS STEEL M10 X 3.5 X 2.2mm		50120	3
155a	LUG TINNED COPPER COMPRESSION M10 TO SUIT CU MAINS		to suit mains	3
155b	LUG BI-METALLIC COMPRESSION M10 TO SUIT ALUM. MAINS		to suit mains	3
HV PARALLEL GROOVE CLAMP				
201	CONDUCTOR - 19/2.14 BLACK PVC INSULATED HD (70mm ² EARTH)		60111	AS REQ.
202	LUG TINNED COPPER COMPRESSION M10 TO SUIT 70mm ² CU CABLE		74849	3
203	BOLT HEX HEAD STAINLESS STEEL M10 X 40mm		45096	3
204	NUT HEX HEAD STAINLESS STEEL M10		H39401	3
205	WASHER STAINLESS STEEL M10 X 21 X 1.2mm		49411	6
206	SPRING WASHER STAINLESS STEEL M10 X 3.5 X 2.2mm		50120	3
207a	CLAMP PARALLEL GROOVE 2 OR 3 BOLT TO SUIT COPPER MAINS		to suit mains	3
207b	CLAMP PARALLEL GROOVE 2 OR 3 BOLT BI-METALLIC TO SUIT ALUMINIUM MAINS UP TO 150mm ²		H88013	3
HV HOT LINE CLAMP				
301	CLAMP LIVE LINE		H18140	3
302	CABLE FLEXIBLE 35mm ² CU PVC INSULATED BLACK 1008/0.205		60095	6m
303	LUG KIT HEAVY DUTY TO SUIT 11kV LDPE CABLE (3 SET)		H125260	1
304	HEATSHRINK TERMINATION KIT FOR HV DROPPER LUGS		152207	1
305a	CLAMP BAIL PG 7/3.0-19/3.75 TO SUIT ALUMINIUM MAINS		62356	3
305b	CLAMP BAIL HOT LINE 14 - 212mm ² . TO SUIT COPPER MAINS		176954	3
306	BOLT HEX HEAD STAINLESS STEEL M10 X 40mm		45096	3



307	NUT HEX HEAD STAINLESS STEEL M10		H39401	3	
308	WASHER STAINLESS STEEL M10 X 21 X 1.2mm		49411	6	
309	SPRING WASHER STAINLESS STEEL M10 X 3.5 X 2.2mm		49411	3	
HV CCT CONNECTIONS					
401a	LUG 80mm ² (BANANA) BI METALLIC COMPRESSION M12		176953	3	
401b	LUG 120mm ² BI METALLIC COMPRESSION M12		58321	3	
THROUGH TERMINATION					
402	PARALLEL GROOVE CLAMP		144568	3	
403	PARALLEL GROOVE CLAMP COVER		144576	3	
END TERMINATION					
404	STRAIN ROD INSULATOR		144550	3	
405a	STRAIN CLAMP 80mm ²		144535	3	
405b	STRAIN CLAMP 120mm ²		144527	3	
406	STRAIN CLAMP COVER		144543	3	
407a	EYE BOLT - M20 GALVANISED (LENGTH TO SUIT POLE)		513653	1	
407b	EYE BOLT - M20 X 200mm GALVANISED		513653	2	
408	WASHER - SQUARE, 75x75x6mm, GALVANISED		518081	H39231	4
409	WASHER - CONICAL, M20, STAINLESS STEEL		518082	146316	3
410	WASHER - LIP, M24 - GALVANISED		518081	176912	2
411	LINK - SAG, 70kN (PLP PART NO.CTSLEW-070-1)			PURCHASE	3
412	BOLT HEX HEAD STAINLESS STEEL M10 X 40mm		45096	3	
413	NUT HEX HEAD STAINLESS STEEL M10		H39401	3	
414	WASHER STAINLESS STEEL M10 X 21 X 1.2mm		49411	6	
415	SPRING WASHER STAINLESS STEEL M10 X 3.5 X 2.2mm		50120	3	
INSTALLATION FOR POLES GREATER THAN 12.5 METRES					
416	PARALLEL GROOVE CLAMP, BIMETALLIC		176491	AS REQ.	
417	COVERED CONDUCTOR THICK - TO SUIT FEEDER RATING			AS REQ.	
418	INSULATOR - PIN POST LONG STUD (FOR CCT)		145052	AS REQ.	
419	WIRE-TIE PREFORMED INSULATED FOR CCT TO SUIT CONDUCTOR			AS REQ.	



REFERENCE DRAWINGS	
TITLE	DRAWING No
3 PHASE POLE TRANSFORMER ON TIMBER POLE GENERAL ARRANGEMENT	228821
3 PHASE POLE TRANSFORMER ON COMPOSITE POLE GENERAL ARRANGEMENT	244219

CAD DRAWING
 DO NOT MANUALLY AMEND
 A. M. E. N. D. S.
 1. END TERMINATION DETAILS
 UPDATED TO DETAIL
 TERMINATION FROM EITHER
 DIRECTION.
 HV DROP-OUT FUSE DETAIL
 POLYMER TYPE
 DETAIL 'B' ADDED.
 NOTE 8 AMENDED.
 NOTE 9 AND REFERENCES
 REMOVED
 DATE: 15-10-2014
 DRAWN: M. GHARAN
 CHECKED: P. JARVIS
 APPROVED: P. JARVIS
 2. INSTALLATION FOR POLES
 GREATER THAN 12.5 METRES
 ADDED.
 NOTES 9 & 10 ADDED.
 ITEMS 306-309 & 412-419
 ADDED.
 P/N: DPEX-06568-1-1-6
 DRAWN: M. GHARAN 27/2/15
 CHECKED: P. JARVIS
 APPROVED: P. JARVIS
 3. NEW EARTH STIRRUP ADDED
 P/N: DPEX-06568-1-1-6
 DRAWN: M. GHARAN
 CHECKED: P. JARVIS
 APPROVED: D. GRCEV
 4. REFERENCE DRAWING TABLE
 UPDATED TO SHOW TIMBER
 AND COMPOSITE POLES.
 CONNECTION TO HOT LINE
 CLAMP ALTERED.
 NOTE 7 DELETED. REMAINING
 NOTES RENUMBERED.
 NEW NOTE 7 RECORDED.
 NOTE 8 ALTERED TO CLARIFY
 WHEN A HV SUPPORT
 CROSSARM IS REQUIRED.
 P/N: 129021840
 CHECKED: S. ISLAM
 APPROVED: D. GRCEV
 5. OUTLINE OF TYPE CHANGED
 TO SHOW CHANGE TO PARKING
 BOLT FOR HOT LINE CLAMPS.
 DETAIL B ADDED.
 P/N: 129021840
 P. JARVIS 8.10.19
 CHECKED: S. ISLAM
 APPROVED: D. GRCEV

CONSTRUCTION
 NETWORK STANDARD

 ASSET ENGINEERING, POLICY AND STANDARDS
 TRANSMISSION & DISTRIBUTION SUBSTATION ENGINEERING
 24 CAMPBELL STREET, SYDNEY

SCALE	AS SHOWN
DESIGNED	C. MABBUTT
DRAWN	P. JARVIS
CHECKED	D. GRCEV
APPROVED	15/10/2012
DATE	
PROJECT NUMBER	PM02-02010-1-3-1
PROJTRAK NUMBER	
SIZE	DRAWING No
A1	228825
SHEET	1
AMOUNT	5

STANDARD CONSTRUCTION
3 PHASE - 11kV POLE MOUNTED
DISTRIBUTION SUBSTATION
11kV OVERHEAD SUPPLY
CONNECTION OPTIONS