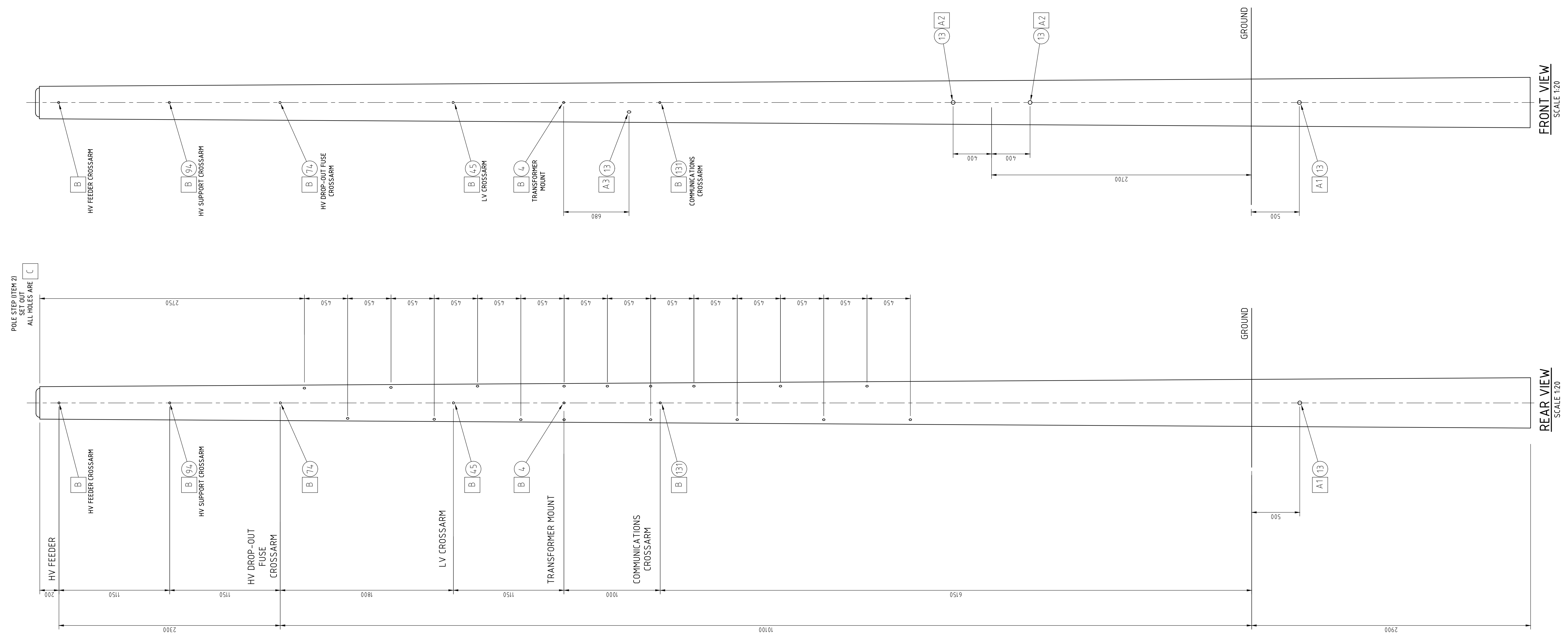
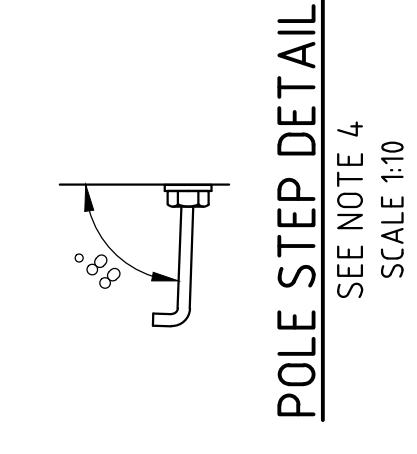
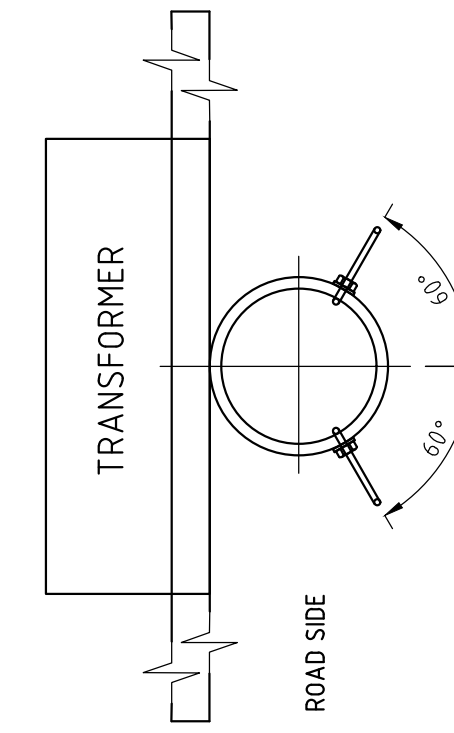


REFERENCE DRAWING	
TITLE	DRAWING No
POLE TRANSFORMER - 3 PHASE COMPOSITE POLE GENERAL ARRANGEMENT	244219

**NOTES**

1. THIS DRAWING IS TO BE READ IN CONJUNCTION WITH NETWORK STANDARDS T22 AND T28.
2. THIS DRAWING IS FOR ITEM 16 OF DRAWING 244219 AND SHOWS THE GENERAL ARRANGEMENT OF THE POLE AND THE LOCATION OF THE POLE BEFORE POLE DELIVERY. ALL OTHER HOLES REQUIRED FOR THE INSTALLATION ARE TO BE DRILLED ON SITE IN THE LOCATIONS SHOWN ON DRAWING 244220.
3. REFER TO DRAWING 244219 FOR ITEMS NUMBERS SHOWN IN CIRCLES. HOLES SIZES ARE SHOWN IN SQUARES AND ARE TO BE DRILLED AS PER HOLE SIZE TABLE.
4. HOLES FOR CROSSARMS AND TRANSFORMER MOUNTING BRACKET ARE TO BE SYMMETRICAL TO AXIS OF POLE. HOLES FOR POLE STEPS ARE TO BE DRILLED AT 7° ANGLES SHOWN ON POLE STEP DETAIL AND PLAN.

DESIGNATION	USE	SIZE
A1	EARTH CABLES	Φ41
A2	EARTH CABLES	Φ44
A3	EARTH CABLES	Φ51
B	CROSSARMS & TRANSFORMER MOUNTING	Φ22
C	POLE STEPS	Φ50



**CONSTRUCTION**



SCALE	AS SHOWN
DESIGNED	P. JARVIS
DRAWN	P. JARVIS
CHECKED	D. THENUNJARA
APPROVED	D. GRICEV
DATE	8.10.19
PROJECT NUMBER	129021840
PROJTRAK NUMBER	

STANDARD CONSTRUCTION	
3 PHASE - 11kV COMPOSITE POLE MOUNTED DISTRIBUTION TRANSFORMER	
0-400kVA	
15.5 METRE POLE MANUFACTURER DRILLING	
SIZE	DRAWING No
B1	251877