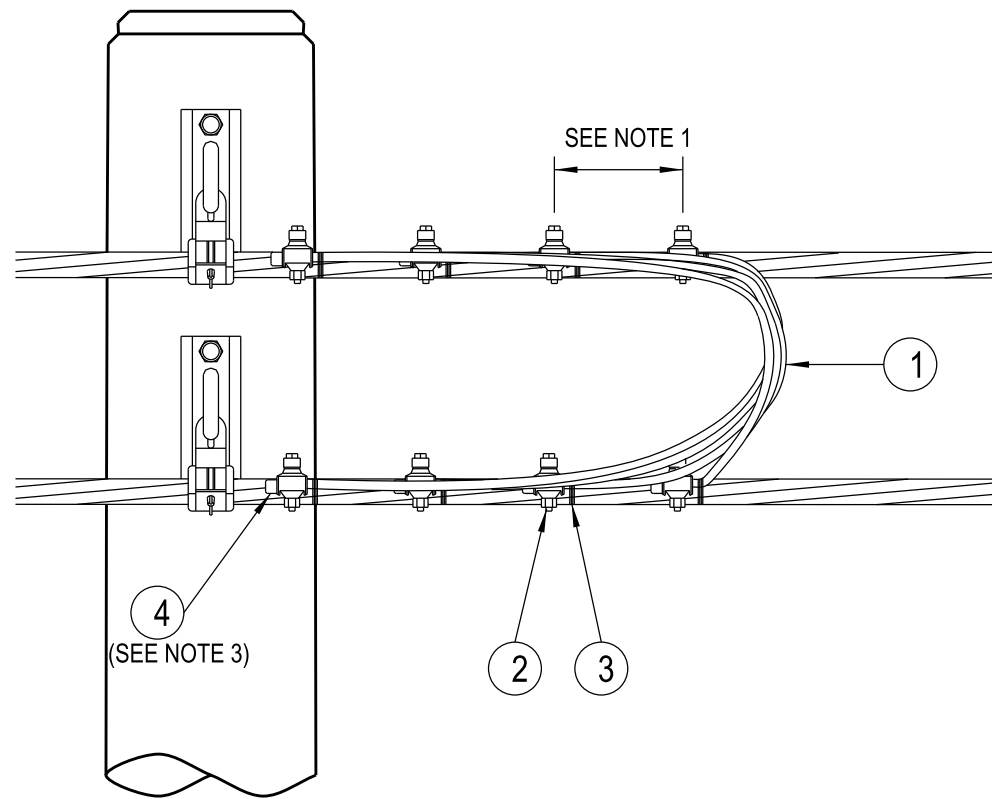
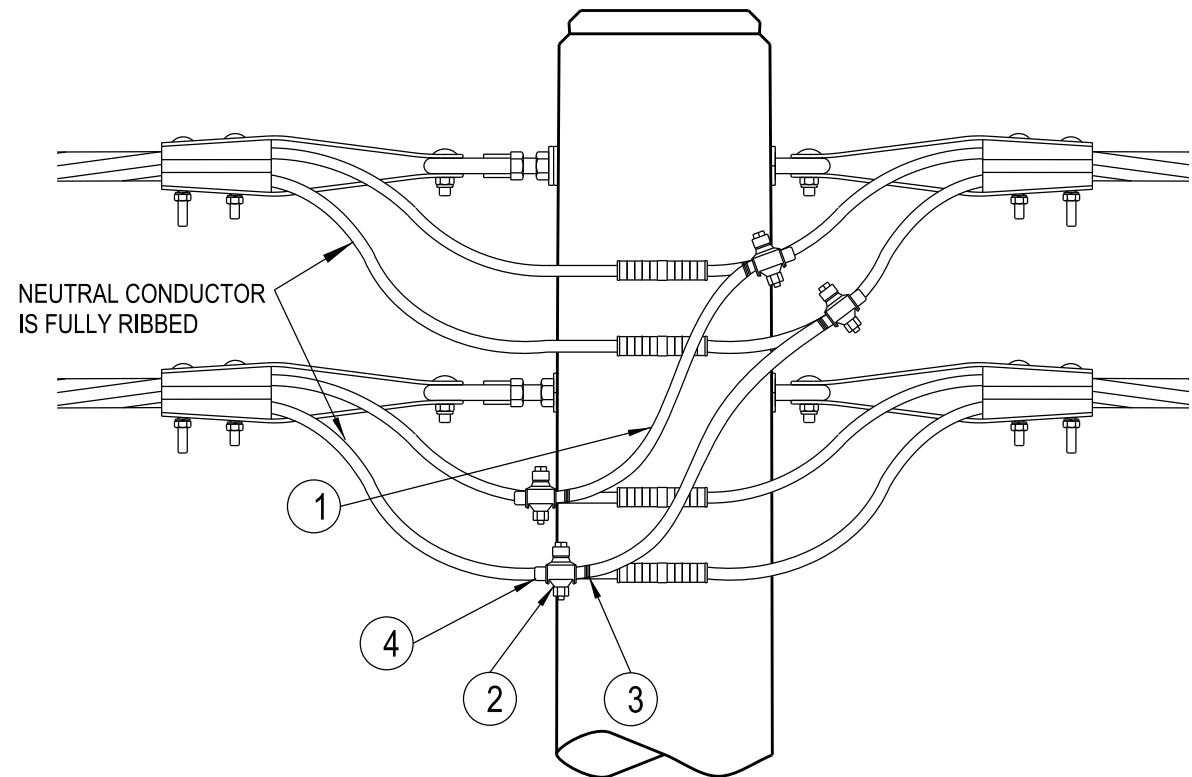
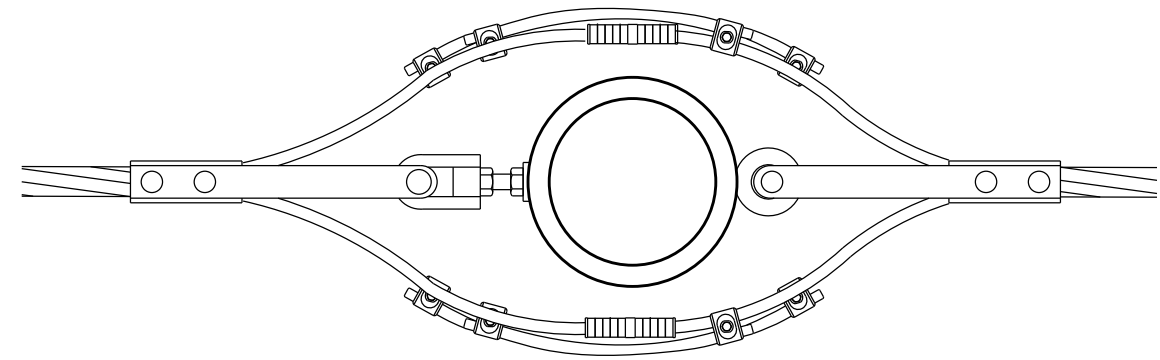


**NOTES :**

1. A MINIMUM DISTANCE OF 150mm IS TO BE MAINTAINED BETWEEN INSULATION PIERCING CONNECTORS.
2. THESE BONDING ARRANGEMENTS BETWEEN PARALLEL CABLES TO BE INSTALLED APPROXIMATELY EVERY 100m.
3. INSTALL PUSH ON END CAPS ON THE ENDS OF THE BRIDGING CABLE CORES.

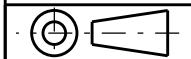


**ARRANGEMENT 1**



**ARRANGEMENT 2**

4	CAP - END, PUSH ON (TO SUIT 25mm <sup>2</sup> LV ABC) (SEE NOTE 3)	H109447	8	8	
	CAP - END, PUSH ON (TO SUIT 95mm <sup>2</sup> & 150mm <sup>2</sup> LV ABC) (SEE NOTE 3)	H77222	8	8	
3	TIE - CABLE, 382 x 7.5mm, BLACK, PVC	59907	8	8	
2	CONNECTOR - INSULATION PIERCING, 25-95mm <sup>2</sup> TO 6-25mm <sup>2</sup>	73593	8	8	
	CONNECTOR - INSULATION PIERCING, 95-150mm <sup>2</sup> TO 95-150mm <sup>2</sup>	176591			
1	CONDUCTOR - OVERHEAD, TAPPINGS (TO SUIT CONDUCTOR SIZE)		2m	4m	
ITEM	DESCRIPTION	DRG.NO	STOCK CODE	ARR-1 QTY	ARR-2 QTY



ALL DIMENSIONS IN MILLIMETRES UNLESS NOTED OTHERWISE.

DO NOT SCALE.

CAD DRAWING DO NOT MANUALLY AMEND A M E N D M E N T S	DWN: PATRICIA RIOS CHKD: PHILLIP JONES	APP'D by: GLENN FORD
	DATE: 11/03/2020 NOTES & MATERIAL LIST AMENDED.	DWN: PATRICIA RIOS CHKD: PHILLIP JONES
4	DATE: 15/07/2020 STOCK CODE ADDED FOR ITEM 2.	APP'D by: GLENN FORD



145 NEWCASTLE RD WALLSEND,  
NSW 2287

SCALE	1:10
DESIGNED	PHIL JONES
DRAWN	PATRICIA RIOS
CHECKED	PHIL JONES
APPROVED	GLENN FORD
DATE	08/04/08
PROJECT NUMBER	NET-STD
PROJTRAK NUMBER	STD

STANDARD CONSTRUCTION LV ABC PARALLEL CIRCUIT BONDING ARRANGEMENTS				
SIZE	DRAWING No	SHEET	AMD	
A3	186336	01	5	