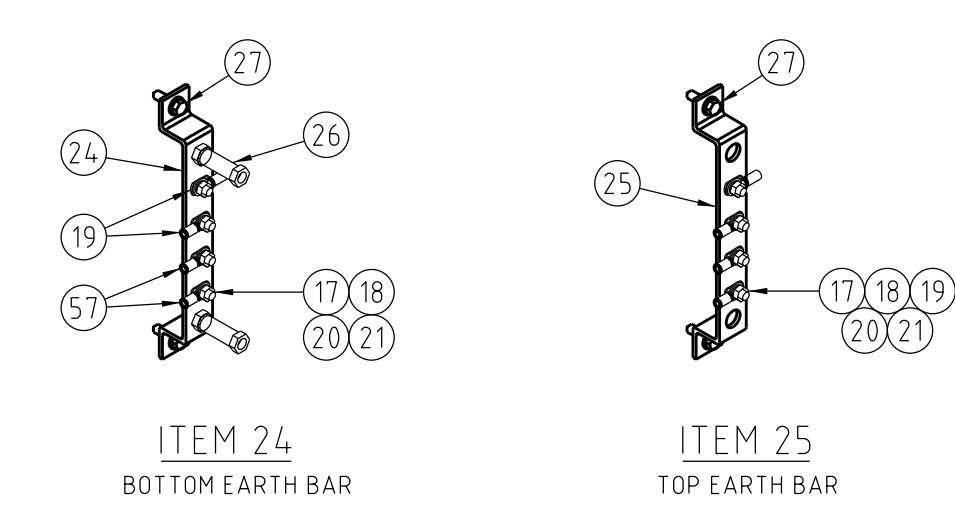
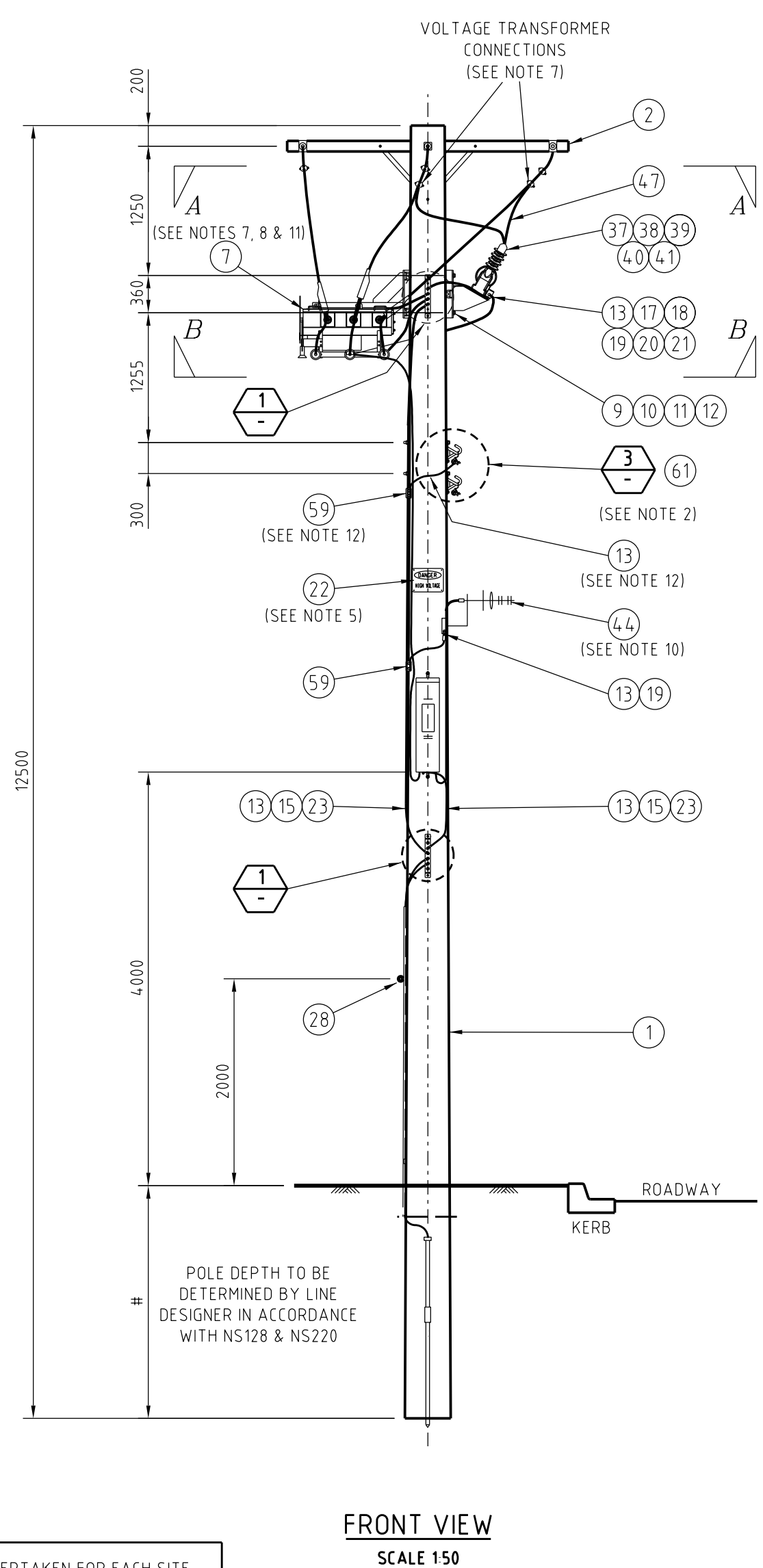
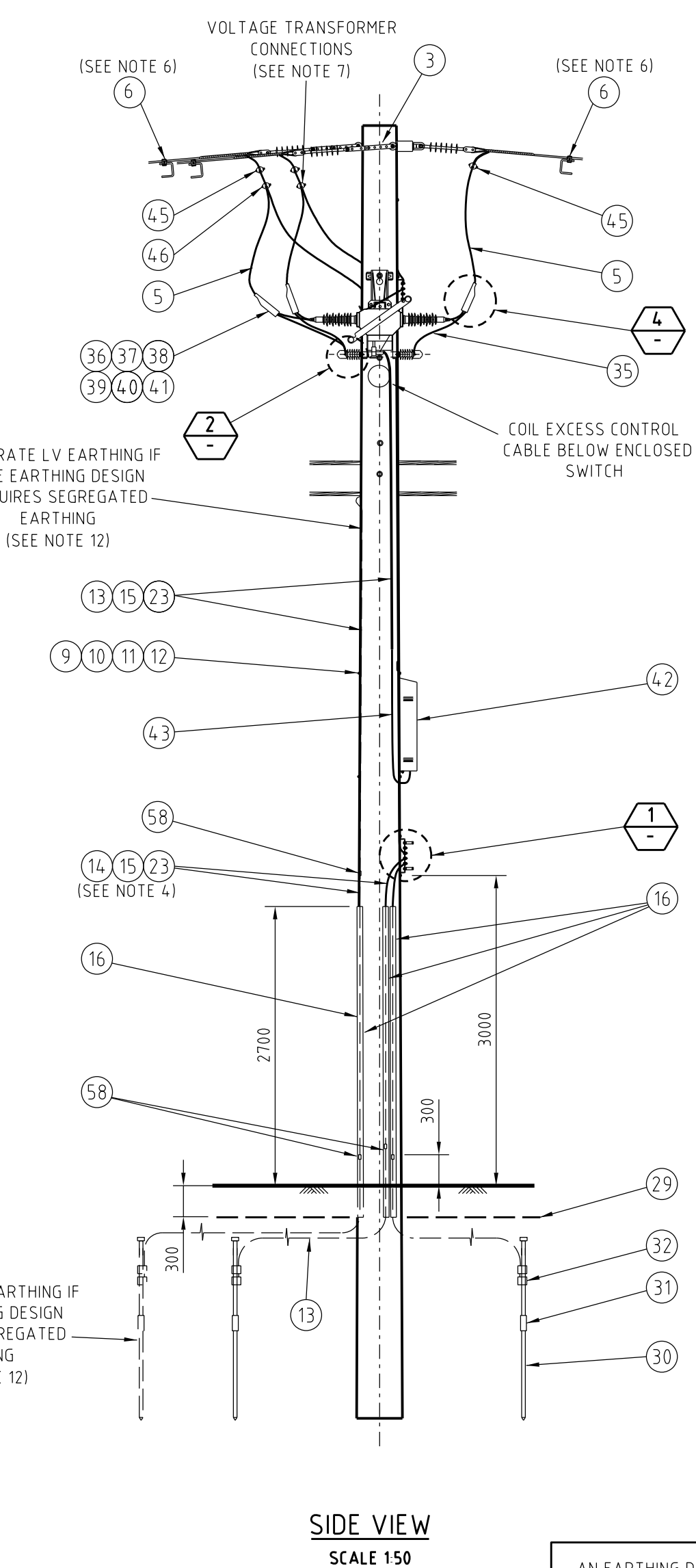
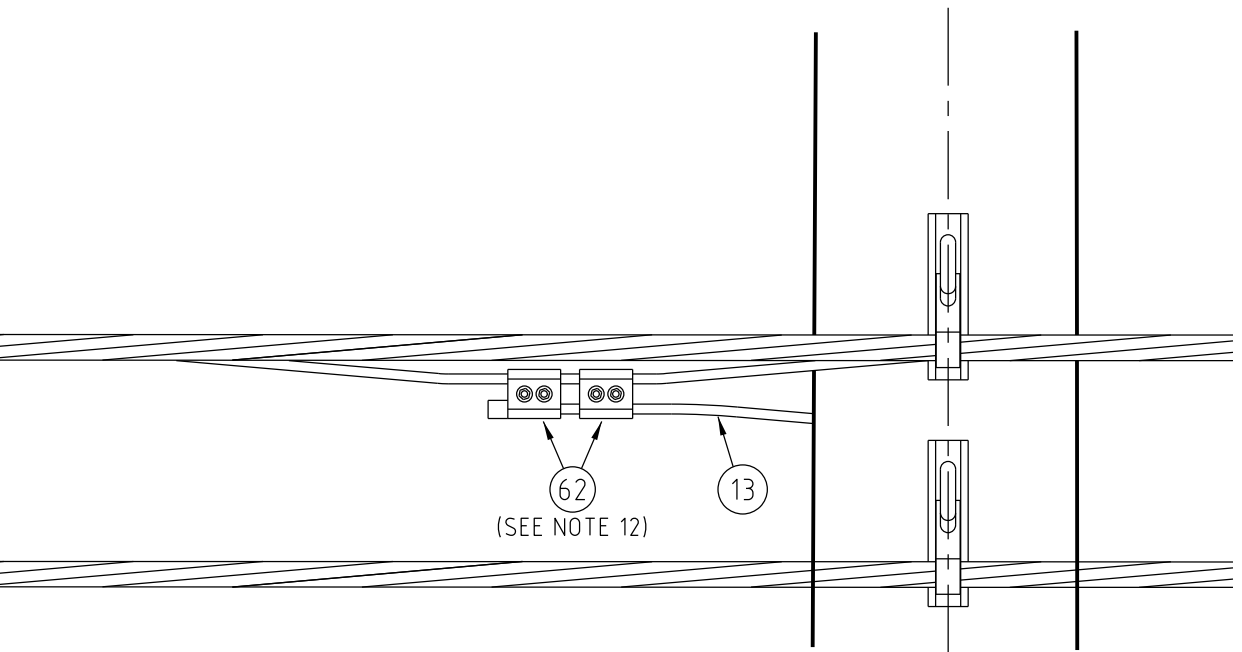
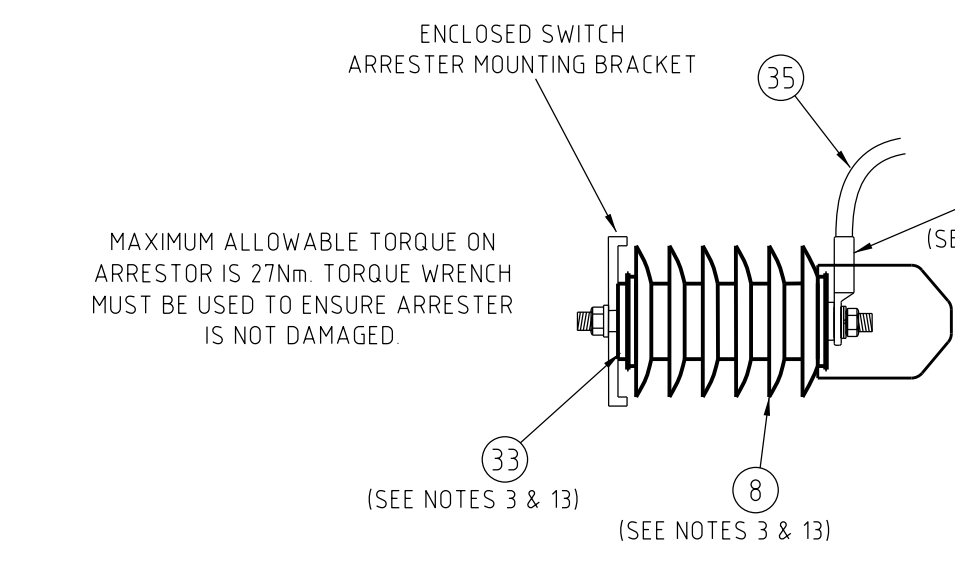
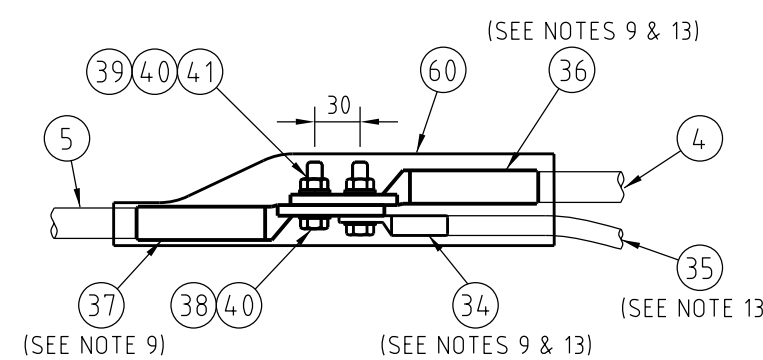


- NOTES**
- THE MINIMUM 11kV PHASE TO EARTH CLEARANCE IS 200mm. THE MINIMUM 11kV PHASE TO PHASE CLEARANCE IS 280mm.
 - LV ATTACHMENT POINT IS TO BE DETERMINED BASED ON GROUND CLEARANCE REQUIREMENTS WHILST GIVING CONSIDERATION TO AUSGRID'S ELECTRICAL SAFETY RULES MINIMUM SAFE WORKING DISTANCES. THE LV ABC CAN BE CHANGED FROM A 1-70 INTERMEDIATE CONSTRUCTION (DRG 513981) TO A 1-80 INTERMEDIATE CONSTRUCTION ON STAND-OFF BRACKETS (DRG 206544) TO MAINTAIN OR INCREASE SAFE WORKING CLEARANCES. ABC FEUSE/LINK SWITCHES SHOULD BE LOCATED ON AN ADJACENT POLE. SEE NOTE 11 FOR FURTHER DETAILS.
 - HV SURGE ARRESTERS ARE TO BE EARTHED VIA THE EARTH BAR ARRANGEMENT (ITEM 33). THE EARTH BAR IS TO BE ELECTRICALLY BONDED TO THE MAIN EARTH CONDUCTOR USING 70mm² PVC INSULATED CONDUCTOR (ITEM 13).
 - MERCURY (7/4.5 AAC) ALUMINIUM CONDUCTOR SHALL BE USED FROM THE BOTTOM EARTH BAR TO 300mm ABOVE GROUND WHERE 70mm² COPPER PVC INSULATED EARTH CONDUCTOR WILL BE EXTENDED FROM BI-METALLIC LINKS TO THE EARTH ELECTRODES. THE BI-METALLIC LINKS ARE TO BE STAGGERED UNDER THE CABLE COVER.
 - DANGER SIGNS ARE TO BE INSTALLED ON BOTH FRONT AND REAR OF THE POLE. SIGNS MUST BE BENT AROUND POLE BEFORE SECURING.
 - WHERE CCSX CONDUCTORS ARE USED, IPC EARTH PARKING DEVICES ARE TO BE INSTALLED AS DETAILED IN NS126.
 - THE VOLTAGE TRANSFORMER IS TO BE CONNECTED TO THE LINE SIDE OF THE ENCLOSED SWITCH WHEN THE SYSTEM IS CONFIGURED NORMALLY. ALTHOUGH, THIS IS NOT MANDATORY.
 - THE ENCLOSED SWITCH IS TO BE LABELLED IN ACCORDANCE WITH NS158 TABLE 4.6 - 'RE-CLOSERS & SECTIONALISERS'. THE POLE NUMBER IS TO BE INSTALLED IN ACCORDANCE WITH NS14.8.
 - INSTALL MEDIUM WALLED MASTIC LINED BLACK HEATSHRINK OVER THE BARE LUG BARREL AND CABLE INSULATION.
 - AN EXTERNAL ANTENNA CAN BE INSTALLED WHERE REQUIRED. THE ACTUAL LOCATION OF THE ANTENNA ON THE POLE IS TO BE DETERMINED DURING INSTALLATION OF COMMUNICATIONS EQUIPMENT. THE LOCATION IS ALWAYS TO COMPLY WITH THE MINIMUM SAFE WORKING DISTANCES SPECIFIED IN AUSGRID'S ELECTRICAL SAFETY RULES.
 - FOR POLES GREATER THAN 12.5m, THE ARRANGEMENT ABOVE THE ENCLOSED SWITCH SHOULD BE AS PER THE DETAIL SHOWN. THE SWITCH CAN BE MOUNTED UP TO 8.5m ABOVE THE GROUND. HOWEVER, IF A GREATER MOUNTING HEIGHT IS REQUIRED TO MAINTAIN SPECIFIED CLEARANCES, THE REGIONAL FIELD OPERATING GROUP WILL NEED TO BE CONSULTED.
 - IF THE SITE SPECIFIC EARTHING DESIGN REQUIRES THE LV MAINS NEUTRAL TO BE CONNECTED TO THE ENCLOSED SWITCH EARTHING SYSTEM, DETAIL 3 SHOULD BE USED FOR THE CONNECTION IF TWO LV ABC CONDUCTORS ARE LOCATED ON THE POLE. A CONNECTION TO ONLY ONE NEUTRAL CONDUCTOR IS REQUIRED FOR A COMBINED EARTHING SYSTEM. A CONNECTION IS TO BE MADE USING ITEM 62 AS SHOWN FOR A SEGREGATED EARTHING SYSTEM. THE CABLE SHOWN IN DETAIL 3 AS ITEM 13 IS TO BE RUN DOWN THE POLE USING COPPER AND ALUMINIUM CABLES AS PER NOTE 4 TO A SEPARATE LV EARTH ROD SYSTEM.
 - AUSGRID PROVIDES ITEMS 8, 33, 34, 35 & 36 TO THE ENCLOSED SWITCH SUPPLIER SO THE MANUFACTURER CAN DRESS TO UNIT PRIOR TO DELIVERY.
 - REFER TO DESIGNER SAFETY REPORT D25/20221 FOR ATYPICAL HAZARDS ASSOCIATED WITH THIS STANDARD CONSTRUCTION.



EQUIPMENT WEIGHTS

ENCLOSED SWITCH	100kg
ENCLOSED SWITCH MOUNTING BRACKET	20kg
ENCLOSED SWITCH CONTROL CABINET	45kg
VOLTAGE TRANSFORMER	4.3kg
VOLTAGE TRANSFORMER MOUNTING BRACKET	8kg



ITEM	DESCRIPTION	DRG. No	STOCK CODE	QTY
62	CONNECTOR - INSULATION PIERCING, LV ABC, 95-150mm ² LV ABC TO 50-150mm ² CU CONDUCTOR (SEE DETAIL 3 & NOTE 12)		148387	2
61	CONSTRUCTION - LV, OVERHEAD, ABC, INTERMEDIATE, 1-70 (SEE NOTE 2)	513981		1
60	COVER - ANIMAL PROTECTION (3 PHASE SET) (NKT PART NO.: CE-APC-T1)		186486	2
59	CLAMP - PARALLEL GROOVE, 2 BOLT	514099	176946	A/R
58	LINK - COMPRESSION, BI-METALLIC (MERCURY (7/4.5AAC) TO 19/2.14 (70mm ²) Cu CABLE)		187132	A/R
57	LUG - COMPRESSION, BI-METALLIC, M12 HOLE (TO SUIT MERCURY CONDUCTOR)	514053	H19675	2
56	WIRE - TIE, PREFORMED, INSULATED, FOR CCSX159 (SET OF 6) (ENSTO REF. SO216.157)		186874	2
55	INSULATOR - 11kV, PN POST, LONG STUD		145052	6
54	WASHER - CONICAL, M16, GALVANISED	518082	H39647	6
53	WASHER - CONICAL, M12, GALVANISED	518082	H39639	4
52	WASHER - FLAT, M12, GALVANISED	518081	177982	8
51	BOLT & NUT - M12x130mm, HEX, GALVANISED	515466	46805	4
50	BRACE - CROSSARM, FLAT, 690mm, GALVANISED	514385	H17738	4
49	BLOCK - GAN, ALUMINIUM, 100mm		146274	2
48	CROSSARM - 240x100x100mm, HARDWOOD		71589	2
47	CONDUCTOR - 11kV CCT80 (SUPPLIED WITH SWITCH)			A/R
46	JOINT - NON TENSION, IPC TO IPC (ENSTO REF. SLW26.A)		186863	2
45	JOINT - NON TENSION, IPC TO IPC (ENSTO REF. SLW26.A)		186863	6
44	ANTENNA - COMMUNICATIONS (SEE NOTE 10)			1
43	CABLE - CONTROL (SUPPLIED WITH SWITCH)			1
42	CUBICLE - CONTROL (SUPPLIED WITH SWITCH)			1
41	WASHER - SPRING, M10, STAINLESS STEEL	518082	50120	16
40	WASHER - FLAT, M10, STAINLESS STEEL	518081	49411	32
39	NUT - M10, HEX, STAINLESS STEEL	515467	H39401	16
38	BOLT - M10x20mm, HEX, STAINLESS STEEL	515467	45088	16
37	LUG - COMPRESSION, BI-METALLIC, 2 x M10 HOLES (TO SUIT CCSX159 CONDUCTOR) (CABC PART NO. BL188/PB103) (SEE NOTE 9)	514053		8
36	LUG - COMPRESSION, BI-METALLIC, 2 x M10 HOLES (TO SUIT CCT CONDUCTOR) (SEE NOTE 9 & 13)	514053		6
35	CONDUCTOR - 25mm ² , HENDRIX TAP CABLE (SEE NOTE 13)			6m
34	LUG - COMPRESSION, COPPER, M12 HOLE (TO SUIT 25mm ² HENDRIX TAP CABLE) (SEE NOTES 9 & 13)			12
33	EARTH BAR, SURGE ARRESTER KIT (INCLUDES 2 x 50x3mm & 1 x 50x2.3mm TINNED COPPER EARTH BARS) (SEE NOTES 3 & 13)	224405	182462	1
32	CONNECTOR - COMPRESSION, PROFILE 6, COPPER (70mm ² CONDUCTOR TO Ø15mm ROD)		H31699	A/R
31	COUPLER - EARTH ELECTRODE (TO SUIT Ø15mm ROD)		H31649	A/R
30	ELECTRODE - DRIVEN EARTH, Ø15x180mm		H31631	A/R
29	COVER - CABLE, PROTECTOR, 150mm WIDE		151084	A/R
28	BOLT - EYED LAG, M8x110mm, STAINLESS STEEL		182589	1
27	SCREW - COACH, M12x100mm, GALVANISED		H40484	4
26	STUBB - EARTH, McKEOWN	520088	H108415	2
25	BAR - EARTH, TOP, FLAT, TINNED COPPER, 50.8x3.3mm (SEE DETAIL 1)	222406	182110	1
24	BAR - EARTH, BOTTOM, FLAT, TINNED COPPER, 50.8x3.3mm (SEE DETAIL 1)	222406	182110	1
23	SCREW - #12x45mm, SELF DRILLING		175567	A/R
22	SIGN - DANGER HIGH VOLTAGE (SEE NOTE 5)		H47012	2
21	NUT - M12, HEX, STAINLESS STEEL	515467	8987	A/R
20	WASHER - SPRING, M16, STAINLESS STEEL	518082	96149	A/R
19	LUG - COMPRESSION, COPPER, Ø14mm HOLE (TO SUIT 70mm ² CABLE)		74831	A/R
18	WASHER - FLAT, M12, STAINLESS STEEL	518081	49429	A/R
17	SCREW - SET, M12x30mm, HEX, STAINLESS STEEL	515467	H38528	A/R
16	GUARD - EARTH, COVER, 3m, BLACK, PVC		157552	A/R
15	SADDLE - CABLE, 12.7mm, HEAVY DUTY, DOUBLE SIDED, GALVANISED		176494	A/R
14	CONDUCTOR - MERCURY, 7/4.5AAC (SEE NOTE 4)		H13433	A/R
13	CONDUCTOR - 19/2.14(70mm ²) COPPER, PVC COVERED, BLACK		60111	A/R
12	WASHER - FLAT, M20, GALVANISED	518081	177986	A/R
11	WASHER - CONICAL, M20, GALVANISED	518082	H39655	A/R
10	WASHER - SQUARE, 75x75x6mm, GALVANISED (Ø22mm HOLE)	518081	H39231	A/R
9	BOLT & NUT - M20, HEX, GALVANISED (LENGTH TO SUIT POLE)	515466		A/R
8	ARRESTER - 11kV, 10kA, POLYMERIC, SURGE, WITH CAP (SEE NOTES 3 & 13)		111948	6
7	SWITCH - 12kV, SCHNEIDER, RL SERIES, ENCLOSED, WITH VOLTAGE TRANSFORMER (SEE NOTES 7, 8 & 11)		181887	1
6	EARTH - PARKING DEVICE, IPC CC TO EPD (ENSTO REF. SLW26.A2) (SEE NOTE 6)		186865	6
5	CONDUCTOR - 11kV CCSX159, 159mm ² , 19/3.26 AAC		186858	A/R
4	CONDUCTOR - 11kV CCT (TO SUIT PHASE CONDUCTORS) (MINIMUM CCT 120) (SUPPLIED WITH SWITCH)			A/R
3	LINK - SAG, 70KN (PLP PART NO. CTSLEW-70-1)			PURCHASE
2	CONSTRUCTION - 11kV, OVERHEAD, 2-11CCSX (EXCLUDING BRIDGES)	265990		1
1	CONSTRUCTION - 11kV, OVERHEAD, 2-11 (EXCLUDING BRIDGES)	513915		1
1	POLE - TIMBER (MINIMUM 8x8) (POLE LENGTH AS REQUIRED)	513988		1

AMENDMENTS

NO.	DATE	DESCRIPTION
1	20/07/2025	CC CONNECTION CHANGED TO CCSX159. EARTHING CHANGED.

ASSOCIATED DRAWINGS

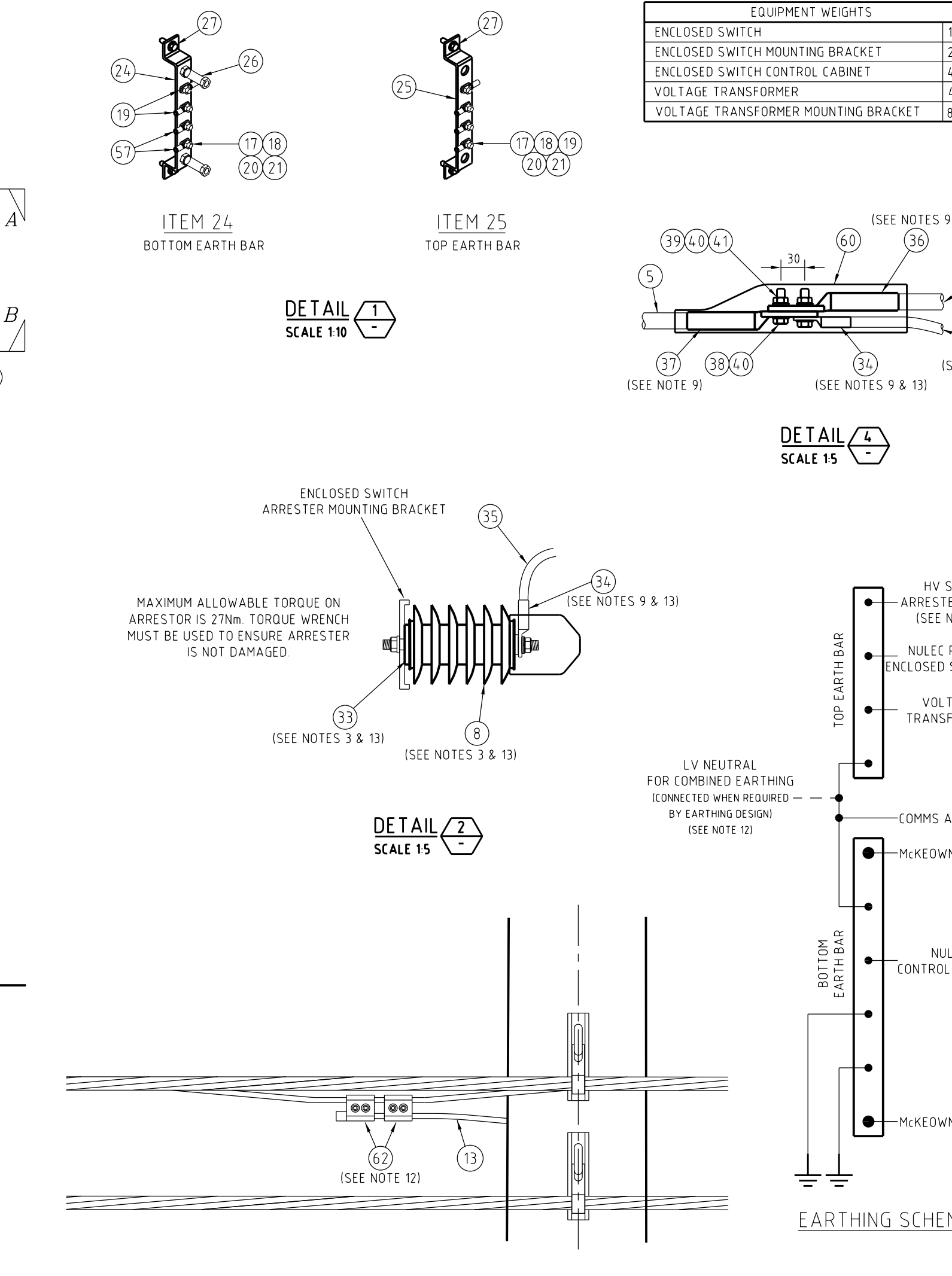
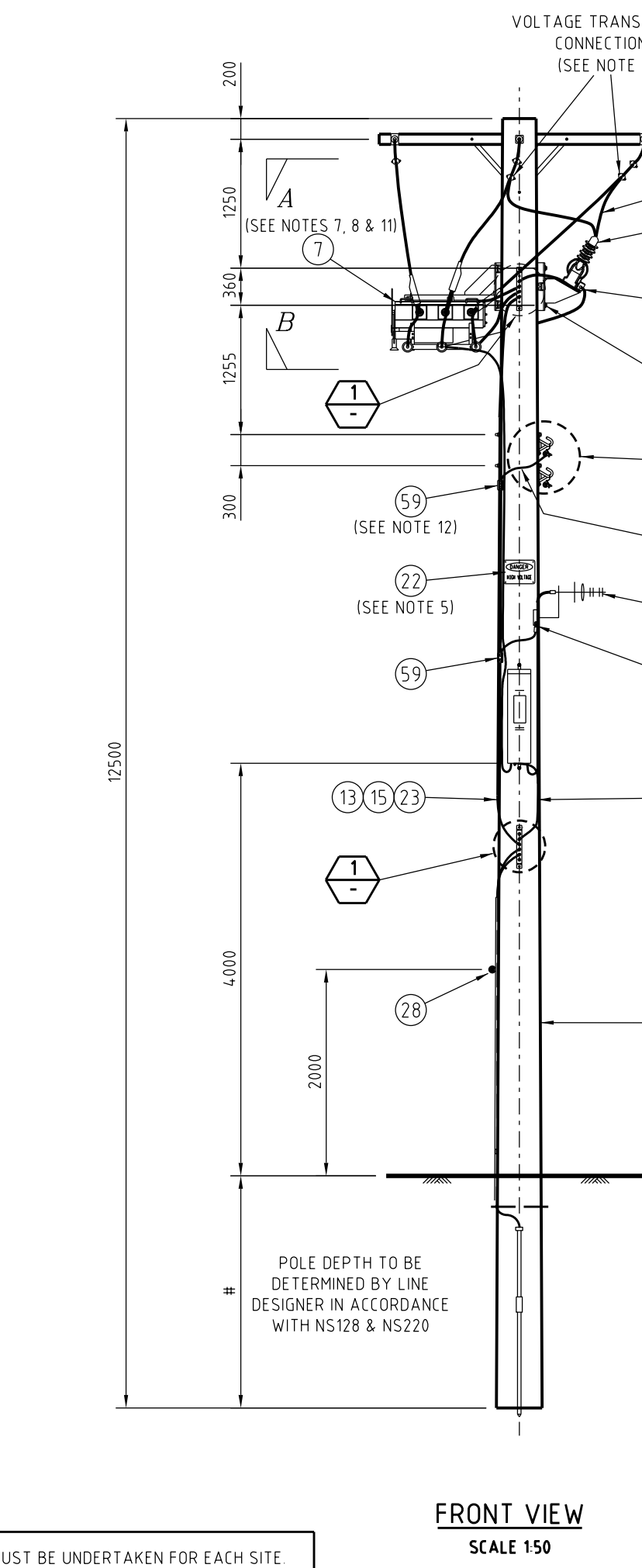
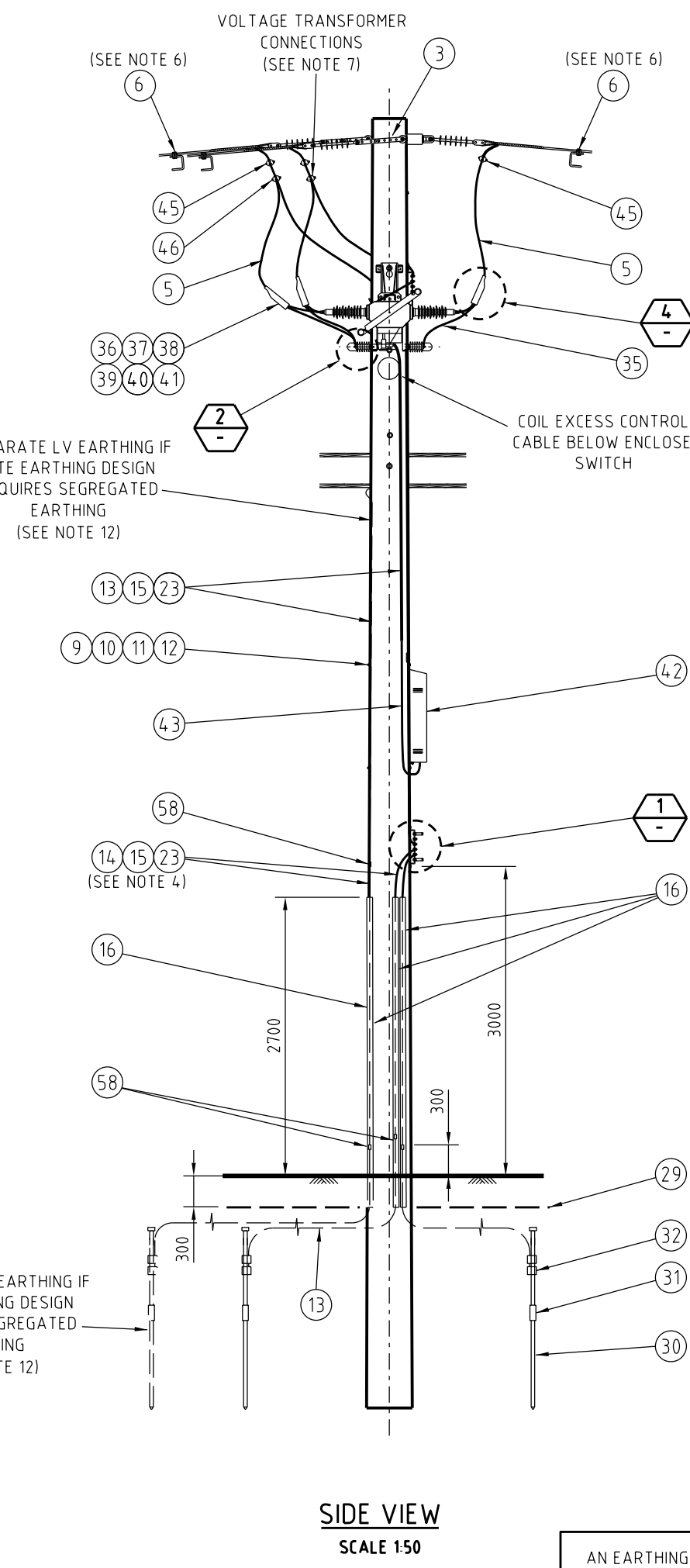
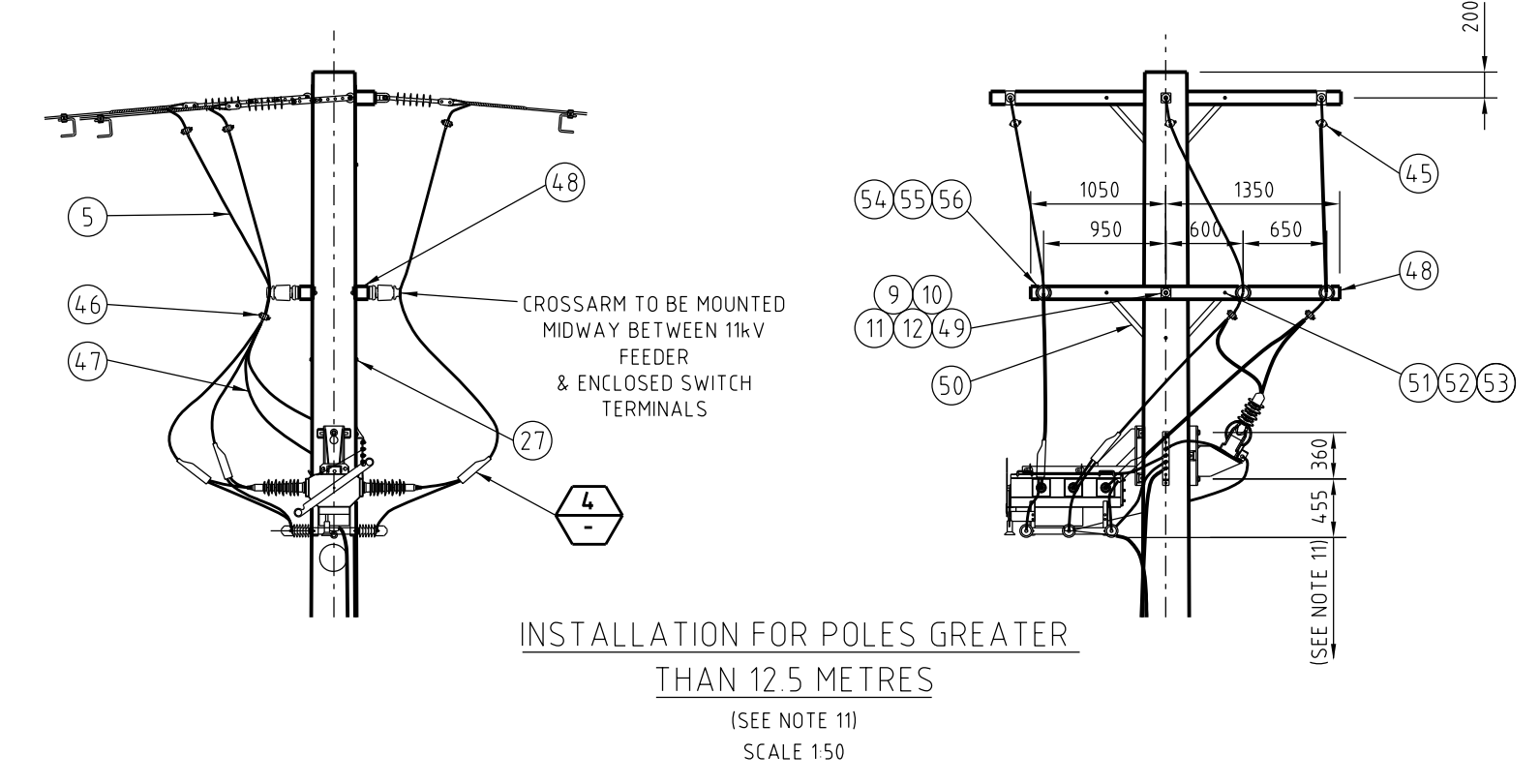
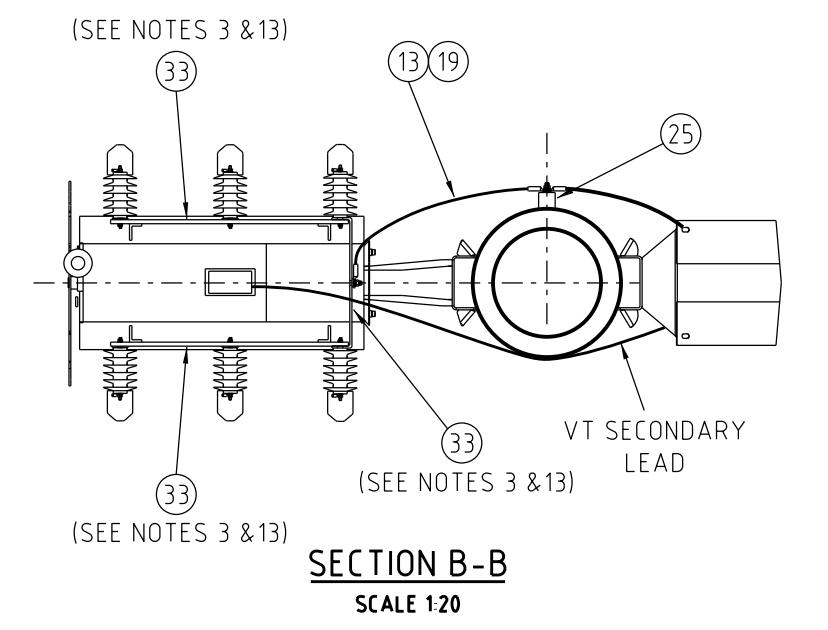
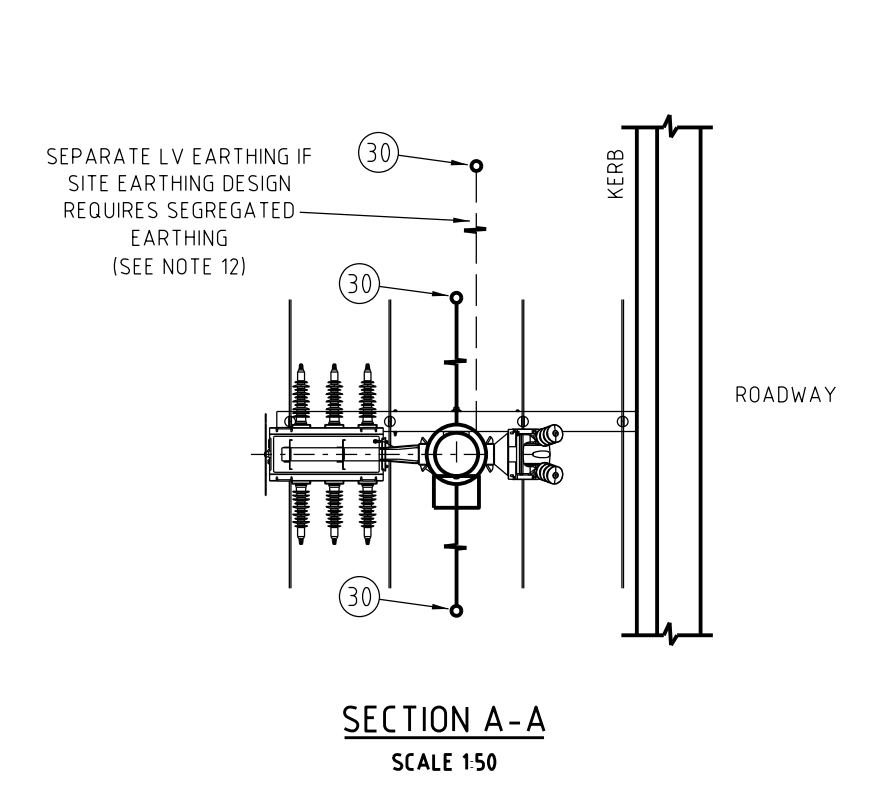
NO.	DESCRIPTION
1	2024.1022
2	
3	
4	
5	
6	
7	
8	
9	
10	
11	
12	

NETWORK STANDARD

42 HONEYSUCKLE DRIVE, NEWCASTLE WEST NSW 2300

SCALE	AS SHOWN
DESIGNED	D.DAFO
DRAWN	D.DAFO/P.JARVIS
CHECKED	M.ANDREWS
APPROVED	D.GRCEV
DATE	11/02/2011
PROJECT NUMBER	STD
TRIM REF NUMBER	-

SCALE	AS SHOWN	STANDARD CONSTRUCTION
SCALE	AS SHOWN	STANDARD CONSTRUCTION
DESIGNED	D.DAFO	11kV SCHNEIDER RL SERIES
DRAWN	D.DAFO/P.JARVIS	POLE MOUNTED ENCLOSED SWITCH
CHECKED	M.ANDREWS	MOUNTED OVER ABC LV MAINS
APPROVED	D.GRCEV	GENERAL ARRANGEMENT
DATE	11/02/2011	
PROJECT NUMBER	STD	
TRIM REF NUMBER	-	
SIZE	DRAWING No	SHEET
A1	170234	1
		REV
		4



- NOTES**
- THE MINIMUM 11kV PHASE TO EARTH CLEARANCE IS 200mm. THE MINIMUM 11kV PHASE TO PHASE CLEARANCE IS 280mm.
 - LV ATTACHMENT POINT IS TO BE DETERMINED BASED ON GROUND CLEARANCE REQUIREMENTS WHILST GIVING CONSIDERATION TO AUSGRID'S ELECTRICAL SAFETY RULES MINIMUM SAFE WORKING DISTANCES. THE LV ABC CAN BE CHANGED FROM A 1-TO INTERMEDIATE CONSTRUCTION (DRG 519891) TO A 1-80 INTERMEDIATE CONSTRUCTION ON STAND-OFF BRACKETS (DRG 206541) TO MAINTAIN OR INCREASE SAFE WORKING CLEARANCES. ABC FUSE/LINK SWITCHES SHOULD BE LOCATED ON AN ADJACENT POLE. SEE NOTE 11 FOR FURTHER DETAILS.
 - HV SURGE ARRESTERS ARE TO BE EARTHED VIA THE EARTH BAR ARRANGEMENT (ITEM 33). THE EARTH BAR IS TO BE ELECTRICALLY BONDED TO THE MAIN EARTH CONDUCTOR USING 70mm² PVC INSULATED CONDUCTOR (ITEM 13).
 - MERCURY 17/4.5 AAC ALUMINIUM CONDUCTOR SHALL BE USED FROM THE BOTTOM EARTH BAR TO 300mm ABOVE GROUND WHERE 70mm² COPPER PVC INSULATED EARTH CONDUCTOR WILL BE EXTENDED FROM BI-METALLIC LINKS TO THE EARTH ELECTRODES. THE BI-METALLIC LINKS ARE TO BE STAGGERED UNDER THE CABLE COVER.
 - DANGER SIGNS ARE TO BE INSTALLED ON BOTH FRONT AND REAR OF THE POLE. SIGNS MUST BE BENT AROUND POLE BEFORE SECURING.
 - WHERE CCSX CONDUCTORS ARE USED, IPC EARTH PARKING DEVICES ARE TO BE INSTALLED AS DETAILED IN NS126.
 - THE VOLTAGE TRANSFORMER IS TO BE CONNECTED TO THE LINE SIDE OF THE ENCLOSED SWITCH WHEN THE SYSTEM IS CONFIGURED NORMALLY. ALTHOUGH THIS IS NOT MANDATORY.
 - THE ENCLOSED SWITCH IS TO BE LABELLED IN ACCORDANCE WITH NS158 TABLE 4.6 - 'RE closers & SECTIONALISERS'. THE POLE NUMBER IS TO BE INSTALLED IN ACCORDANCE WITH NS148.
 - INSTALL MEDIUM WALLED MASTIC LINED BLACK HEATSHRINK OVER THE BARE LUG BARREL AND CABLE INSULATION.
 - AN EXTERNAL ANTENNA CAN BE INSTALLED WHERE REQUIRED. THE ACTUAL LOCATION OF THE ANTENNA ON THE POLE IS TO BE DETERMINED DURING INSTALLATION OF COMMUNICATION EQUIPMENT. THE LOCATION IS ALWAYS TO COMPLY WITH THE MINIMUM SAFE WORKING DISTANCES SPECIFIED IN AUSGRID'S ELECTRICAL SAFETY RULES.
 - FOR POLES GREATER THAN 12.5m, THE ARRANGEMENT ABOVE THE ENCLOSED SWITCH SHOULD BE AS PER THE DETAIL SHOWN. THE SWITCH CAN BE MOUNTED UP TO 8.5m ABOVE THE GROUND. HOWEVER, IF A GREATER MOUNTING HEIGHT IS REQUIRED TO MAINTAIN SPECIFIED CLEARANCES, THE REGIONAL FIELD OPERATING GROUP WILL NEED TO BE CONSULTED.
 - IF THE SITE SPECIFIC EARTHING DESIGN REQUIRES THE LV MAINS NEUTRAL TO BE CONNECTED TO THE ENCLOSED SWITCH EARTHING SYSTEM, DETAIL 3 SHOULD BE USED FOR THE CONNECTION. IF TWO LV ABC CONDUCTORS ARE LOCATED ON THE POLE, A CONNECTION TO ONLY ONE NEUTRAL CONDUCTOR IS REQUIRED. FOR A COMBINED EARTHING SYSTEM A CONNECTION IS TO BE MADE USING ITEM 62 AS SHOWN. FOR A SEGREGATED EARTHING SYSTEM, THE CABLE SHOWN IN DETAIL 3 AS ITEM 13 IS TO BE RUN DOWN THE POLE USING COPPER AND ALUMINIUM CABLES AS PER NOTE 4 TO A SEPARATE LV EARTH ROD SYSTEM.
 - AUSGRID PROVIDES ITEMS 8, 33, 34, 35 & 36 TO THE ENCLOSED SWITCH SUPPLIER SO THE MANUFACTURER CAN DRESS TO UNIT PRIOR TO DELIVERY.
 - REFER TO DESIGNER SAFETY REPORT 025/20221 FOR ATYPICAL HAZARDS ASSOCIATED WITH THIS STANDARD CONSTRUCTION.

EQUIPMENT WEIGHTS

ENCLOSED SWITCH	100kg
ENCLOSED SWITCH MOUNTING BRACKET	20kg
ENCLOSED SWITCH CONTROL CABINET	45kg
VOLTAGE TRANSFORMER	43kg
VOLTAGE TRANSFORMER MOUNTING BRACKET	8kg

ITEM	DESCRIPTION	DRG. No	STOCK CODE	QTY
62	CONNECTOR - INSULATION PIERCING, LV ABC, 96-150mm ² LV ABC TO 50-150mm ² CU CONDUCTOR (SEE DETAIL 3 & NOTE 12)		148387	2
61	CONSTRUCTION - LV OVERHEAD, ABC, INTERMEDIATE, 1-70 (SEE NOTE 2)	513681		1
60	COVER - ANIMAL PROTECTION (3 PHASE SET) (NKT PART NO. CEAPCT1)	514099	184886	2
59	CLAMP - PARALLEL GROOVE, 2 BOLT	514053	176946	A/R
58	LINK - COMPRESSION, BI-METALLIC (MERCURY (7/4.5 AAC) TO 192.14 (70mm ²) Cu CABLE)	187132		A/R
57	LUG - COMPRESSION, BI-METALLIC, M12 HOLE (TO SUIT MERCURY CONDUCTOR)	514053	H19675	2
56	WIRE - IIE, PREFORMED, INSULATED, FOR CCSX159 (SET OF 6) (ENSTO REF. 50216.157)		186874	2
55	INSULATOR - 11kV, PIN POST, LONG STUD	518082	146352	6
54	WASHER - CONICAL, M10, GALVANISED	518082	143630	4
53	WASHER - CONICAL, M12, GALVANISED	518081	177982	8
52	WASHER - FLAT, M12, GALVANISED	515467	177982	8
51	BOLT & NUT - M12x100mm, HEX, GALVANISED	515466	48055	4
50	BRACE - CROSSARM, FLAT, 600mm, GALVANISED	514385	H17738	4
49	BLOCK - GAIN, ALUMINIUM, 100mm		146274	2
48	CROSSARM - 2400x100x100mm, HARDWOOD		71589	2
47	CONDUCTOR - 11kV CCT80 (SUPPLIED WITH SWITCH)			A/R
46	JOINT - NON TENSION, IPC TO IPC (ENSTO REF. SLW26A)		186893	2
45	JOINT - NON TENSION, IPC TO IPC (ENSTO REF. SLW26A)		186893	6
44	JOINT - NON TENSION, IPC TO BARE (ENSTO REF. SLW94A)		186894	1
43	ANTENNA - COMMUNICATIONS (SEE NOTE 10)			1
42	CABLE - CONTROL (SUPPLIED WITH SWITCH)			1
41	CUBICLE - CONTROL (SUPPLIED WITH SWITCH)			1
40	WASHER - SPRING, M10, STAINLESS STEEL	518082	50120	16
39	WASHER - FLAT, M10, STAINLESS STEEL	518081	49411	32
38	NUT - M10, HEX, STAINLESS STEEL	515467	H39401	16
37	BOLT - M10x30mm, HEX, STAINLESS STEEL	515467	45088	16
36	LUG - COMPRESSION, BI-METALLIC, 2 x M10 HOLES (TO SUIT CCSX159 CONDUCTOR) (CABLE PART NO. RL 181 (PH100)) (SEE NOTE 9)	514053		8
35	LUG - COMPRESSION, BI-METALLIC, 2 x M10 HOLES (TO SUIT CCT CONDUCTOR) (SEE NOTE 9 & 13)	514053		6
34	CONDUCTOR - 25mm ² HENDRIX TAP CABLE (SEE NOTE 13)			8m
33	LUG - COMPRESSION, COPPER, M12 HOLE (TO SUIT 25mm ² HENDRIX TAP CABLE) (SEE NOTES 9 & 13)			12
32	EARTH BAR SURGE ARRESTER KIT (INCLUDES 2 x 50x3mm & 1 x 50x3.3mm TINNED COPPER EARTH BARS) (SEE NOTES 3 & 13)	224405	162462	1
31	CONNECTOR - COMPRESSION, PROFILE 6, COPPER (70mm ² CONDUCTOR TO Ø15mm ROD)		H31699	A/R
30	COUPLER - EARTH ELECTRODE (TO SUIT Ø15mm ROD)		H31649	A/R
29	ELECTRODE - DRIVEN EARTH, Ø15x1800mm		H31631	A/R
28	COVER - CABLE, PROTECTOR, 150mm WIDE		151084	A/R
27	BOLT - EYED LAG, M8x110mm, STAINLESS STEEL		182289	1
26	SCREW - COACH, M12x100mm, GALVANISED		H40844	4
25	STUBB - EARTH, MCKEOWN	520088	H108415	2
24	BAR - EARTH, TOP, FLAT, TINNED COPPER, 50.8x6.3mm (SEE DETAIL 1)	224406	182110	1
23	BAR - EARTH, BOTTOM, FLAT, TINNED COPPER, 50.8x6.3mm (SEE DETAIL 1)	224406	182110	1
22	SCREW - M12x45mm, SELF DRILLING		176987	A/R
21	SCREW - DANGER HIGH VOLTAGE (SEE NOTE 9)		140712	2
20	NUT - M12, HEX, STAINLESS STEEL	515467	8897	A/R
19	WASHER - SPRING, M16, STAINLESS STEEL	518082	96149	A/R
18	LUG - COMPRESSION, COPPER, Ø14mm HOLE (TO SUIT 70mm ² CABLE)		74831	A/R
17	WASHER - FLAT, M12, STAINLESS STEEL	518081	49429	A/R
16	SCREW - SET, M12x30mm, HEX, STAINLESS STEEL	515467	H38528	A/R
15	GUARD - EARTH COVER, 3m, BLACK, PVC		175752	A/R
14	SADDLE - CABLE, 12.7mm, HEAVY DUTY, DOUBLE SIDED, GALVANISED		176494	A/R
13	CONDUCTOR - MERCURY, 7/4.5 AAC (SEE NOTE 4)		H13433	A/R
12	CONDUCTOR - 192.14(70mm ²) COPPER, PVC COVERED, BLACK		60111	A/R
11	WASHER - FLAT, M20, GALVANISED	518081	177986	A/R
10	WASHER - CONICAL, M20, GALVANISED	518082	H39655	A/R
9	WASHER - SQUARE, 75x75x6mm, GALVANISED (Ø22mm HOLE)	518081	H39231	A/R
8	BOLT & NUT - M20, HEX, GALVANISED (LENGTH TO SUIT POLE)	515466		A/R
7	ARRESTER - 11kV, 10kA, POLYMERIC, SURGE, WITH CAP (SEE NOTES 3 & 13)		111048	6
6	SWITCH - 12kV, SCHNEIDER, RL SERIES, ENCLOSED, WITH VOLTAGE TRANSFORMER (SEE NOTES 7, 8 & 11)		181887	1
5	EARTH - PARKING DEVICE, IPC COT TO EPD (ENSTO REF. SLW26A) (SEE NOTE 6)		186895	6
4	CONDUCTOR - 11kV CCSX159, 150mm ² , 193.26 AAC		186858	A/R
3	CONDUCTOR - 11kV CCT (TO SUIT PHASE CONDUCTORS) (MINIMUM CCT 120) (SUPPLIED WITH SWITCH)			A/R
2	LINK - SAG, 70kN (PLP PART NO. CTSLEW-70-1)			PURCHASE
1	CONSTRUCTION - 11kV, OVERHEAD, 2-11CCSX (EXCLUDING BRIDGES)	265880		1
1	CONSTRUCTION - 11kV, OVERHEAD, 2-11 (EXCLUDING BRIDGES)	513915		1
1	POLE - TIMBER (MINIMUM 8kN) (POLE LENGTH AS REQUIRED)	513968		1

REVISIONS

NO.	DATE	DESCRIPTION
1	20/02/2025	ISSUED FOR CONSTRUCTION
2	20/02/2025	ISSUED FOR CONSTRUCTION
3	20/02/2025	ISSUED FOR CONSTRUCTION
4	20/02/2025	ISSUED FOR CONSTRUCTION

ASSOCIATED DRAWINGS

NO.	DESCRIPTION
1	170234-1.dwg
2	170234-2.dwg
3	170234-3.dwg
4	170234-4.dwg
5	170234-5.dwg
6	170234-6.dwg
7	170234-7.dwg
8	170234-8.dwg
9	170234-9.dwg
10	170234-10.dwg
11	170234-11.dwg
12	170234-12.dwg

42 HONEYSUCKLE DRIVE, NEWCASTLE WEST NSW 2300

Ausgrid

42 HONEYSUCKLE DRIVE, NEWCASTLE WEST NSW 2300

SCALE	AS SHOWN	STANDARD CONSTRUCTION
DESIGNED	D.DAFO	11kV SCHNEIDER RL SERIES
DRAWN	D.DAFO/P.JARVIS	POLE MOUNTED ENCLOSED SWITCH
CHECKED	M.ANDREWS	MOUNTED OVER ABC LV MAINS
APPROVED	D.GREY	GENERAL ARRANGEMENT
DATE	11/02/2011	
PROJECT NUMBER	STD	
TRIM REF NUMBER	-	
	SIZE	DRAWING No
	A1	170234
	SHEET	REV
	1	4

REVISIONS

1. DETAILS FOR ON POLES GREATER THAN 12.5 METRES TO BE ADDED TO THIS DRAWING.

2. STOCK CODES ADDED TO ITEMS 23, 24, 32a & 32b. DETAIL 3 WAS FOR ITEMS 32a.

3. DRAWING TITLE CHANGED TO SCHNEIDER 11kV MAINS AND SURGE TO BE FITTED TO ENCLOSED SWITCH TO ALIGN WITH MANUFACTURER'S DRESSING METHOD. ARRESTERS REPOSITIONED AND NEW LOCK SHOWN.

4. ITEMS MARKED @ TO SHOW THOSE WHICH WILL BE FITTED TO ENCLOSED SWITCH BY MANUFACTURER.

5. ITEMS 5 & 36 SPLIT INTO 2a & 2b.

6. ITEM 4 DELETED AND RE-NUMBERED.

7. ITEM 27 REVISED.

8. ITEMS 33 & 34, WERE 35mm² Cu LPE.

9. ITEM 49 STOCK CODE CHANGED.

10. ITEMS 5 & 51, WERE GALVANISED.

11. ITEM 59 REVISED.

12. ITEM 61 ADDED.

13. PN 02-2010-1-3.

14. PN 02-2010-1-3.

15. CHECKED: M.ANDREWS.

16. APPROVED: D.GREY.