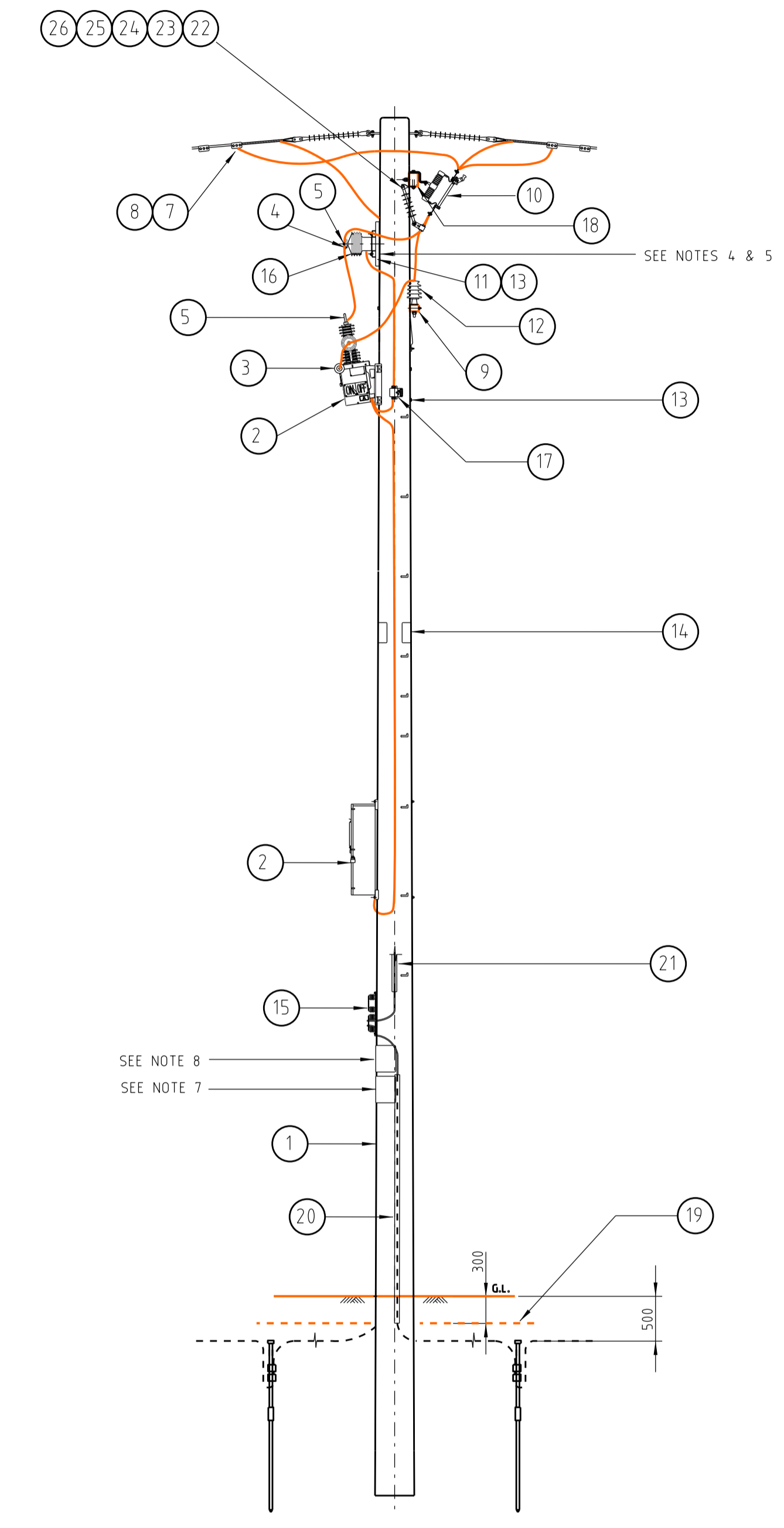
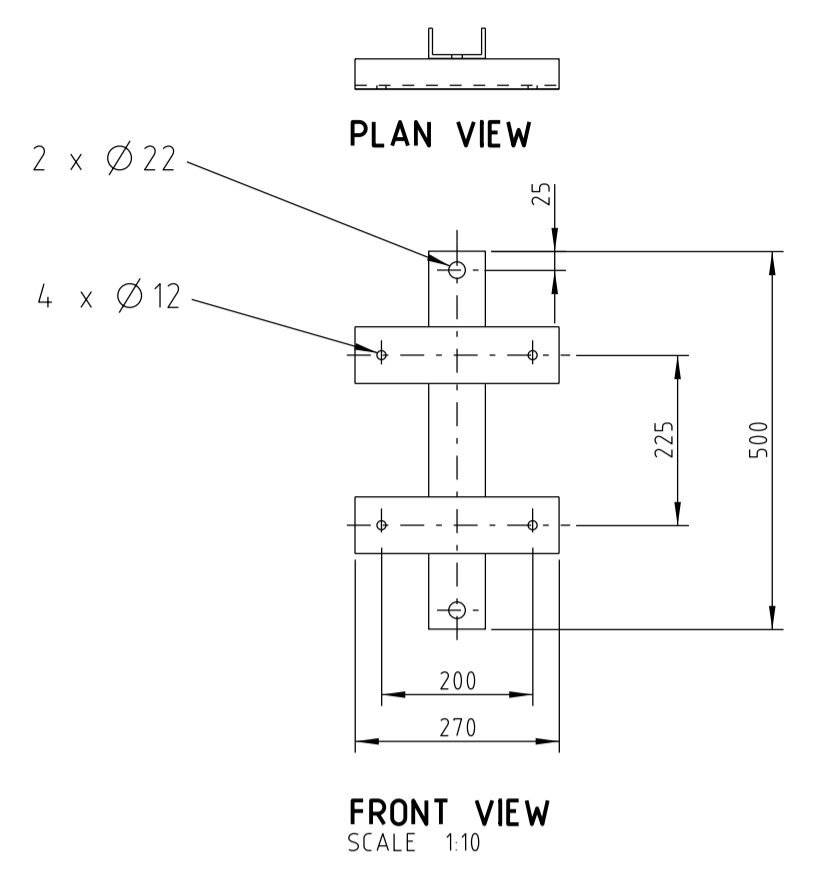


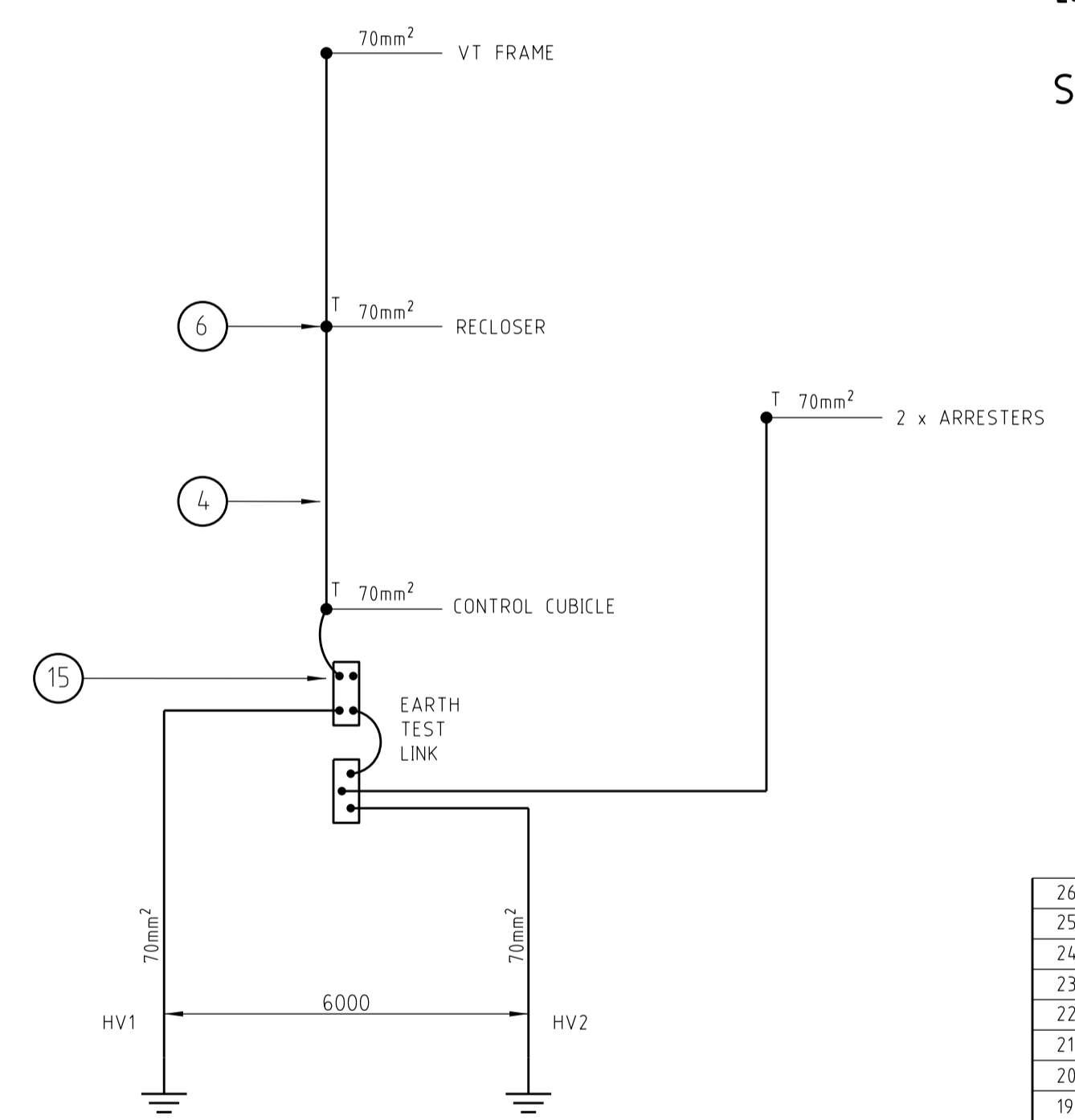
FRONT VIEW
SCALE 1:50



SIDE VIEW
SCALE 1:50



MERLIN GERIN 12kV/62.5V
VOLTAGE TRANSFORMER
MOUNTING BRACKET
MATERIAL : 75PFC
FINISH : HD GALVANISED
WELDING : WELD ALL ROUND



EARTHING SCHEMATIC

- NOTES:**
- EARTH CABLE TO BE INSTALLED WITH MAXIMUM SEPARATION FROM CONTROL CABLE (MIN 300mm).
 - EARTH END OF SURGE ARRESTERS TO BE CONNECTED TO MAIN EARTH USING 70mm² CABLE.
 - HV1 AND HV2 EARTH CABLES TO BE PROTECTED TO ENSURE THEY ARE ABSOLUTELY PROTECTED (BULL PROOF).
 - VT SECONDARY CABLE TO BE ENCLOSED IN BLACK FLEXIBLE CONDUIT.
 - ONE LEG OF VT SECONDARY SUPPLY IS TO BE CONNECTED TO EARTH (SEE PAGE 83 OF "W" TECHNICAL MANUAL).
 - VERMIN PROOFING TO BE INSTALLED ON RECLOSER AND VT PRIMARY TERMINALS.
 - DANGER SIGN INDICATING AN EARTH GRID IS INSTALLED IN THE IMMEDIATE VICINITY AROUND THE POLE AND DIGGING IS PROHIBITED.
 - DANGER SIGN TO BE ATTACHED ADJACENT TO THE EARTH TEST LINK ADVISING THAT THE EQUIPMENT EARTH SHALL NOT BE DISCONNECTED. (VT PRIMARY VOLTAGE)
 - LABELS SHALL BE ATTACHED TO HV LINK CROSSARM INDICATING "BYPASS", "S" AND "L".
 - EARTHING SYSTEM TO BE INSTALLED IN ACCORDANCE WITH NS116 TABLES 6.1 AND 6.2.



DANGER SIGN



BY-PASS
SIZE 100 x 300mm
WHITE REFLECTIVE 50mm LETTERING
ON BLACK BACKGROUND
MATERIAL: MARINE GRADE ALUMINIUM



S L
SIZE 100 x 100mm
WHITE REFLECTIVE 50mm LETTERING
ON BLACK BACKGROUND
MATERIAL: MARINE GRADE ALUMINIUM

LABELS FOR LINKS

SIGNAGE
SCALE 1:10

ITEM	DESCRIPTION	DWG No	S/CODE	QTY
26	NUT NYLOC M16 STAINLESS STEEL	177122		3
25	BOLT HEX HEAD STAINLESS STEEL M16 x 50	H38413		3
24	PLATE TWISTED GALV. 150 x 50 x 6	176901		3
23	CLAMP SUSPENSION L.V.	H113472		3
22	INSULATOR 22kV POLYMERIC LONG ROD	150375		3
21	COVER STRIP PVC FOR EARTH CABLE	157552	AS REQ	
20	PIPE 20mm STEEL GALVANISED		PURCHASE	AS REQ
19	CABLE COVER PVC 150 x 1200mm SLAB	151100	AS REQ	
18	CROSSARM WOOD 100 x 100 x 1800	71712		1
17	CIRCUIT BREAKER 10A IN WEATHERPROOF ENCLOSURE		PURCHASE	1
16	VT 12kV/62.5V MERLIN GERIN TYPE OV2n		PURCHASE	1
15	TEST LINK FOR EARTH CABLES	177069		1
14	SIGN "DANGER HIGH VOLTAGE"	H47012		2
13	BOLT M20 x 350	47159		2
12	INSULATOR 24kV PIN	75697		1
11	BRACKET MOUNTING TO SUIT MERLIN GERIN OUTDOOR VT		CONSTRUCT	1
10	LINK 12/24kV SINGLE INSULATOR	58750		3
9	CROSSARM WOOD 75 x 100 x 1200	71795		1
8	BAIL CLAMP TO SUIT ALUMINIUM OR STEEL CONDUCTOR	62356		2
7	CLAMP LIVE LINE	H18140		1
6	"T" COMPRESSION JOINT TO SUIT 70mm² CABLE	59154		3
5	LUG COMPRESSION COPPER M10 HOLE TO SUIT 70mm² CABLE	74849		2
4	CABLE COPPER 70mm² PVC INSULATED BLACK	60111	AS REQ	
3	ARRESTER SURGE POLYMERIC > 12.5kV MCOV		PURCHASE	2
2	RECLOSER/CONTROL BOX, NU-LEC SINGLE PHASE TYPE "W"		PURCHASE	1
1	POLE - WOOD, 12.5m x 8kN	146720		1

CONSTRUCTION ISSUE



145 NEWCASTLE RD WALLSEND, NSW 2287

SCALE	AS SHOWN
DESIGNED	WILLIAM GRAHAM
DRAWN	BARBARA BARSKI
CHECKED	WILLIAM GRAHAM
APPROVED	ROSS HUGHES
DATE	15/09/05
PROJECT NUMBER	STD
PROJTRAK NUMBER	

STANDARD CONSTRUCTION
SWER NU-LEC TYPE "W" RECLOSER
CONSTRUCTION DETAIL

SIZE	DRAWING No	SHEET	AMD
A1	172146	01	2

CAD DRAWING	DO NOT MANUALLY AMEND
A. H. E. N. D. M. E. N. T. S.	
DWN. BARBARA BARSKI	
CHKD. WILLIAM GRAHAM	
DATE: 17/04/2007	
SIGNAGE DETAILS ADDED	
APPD BY WILLIAM GRAHAM	
DWN. SPENCER PASCOE	
CHKD. SPENCER PASCOE	
APP'D. SPENCER PASCOE	
DATE: 21/09/2015	
AUSGRID TITLEBLOCK	

ASSOCIATED DRAWINGS