

A

B

C

D

E

F

A

B

C

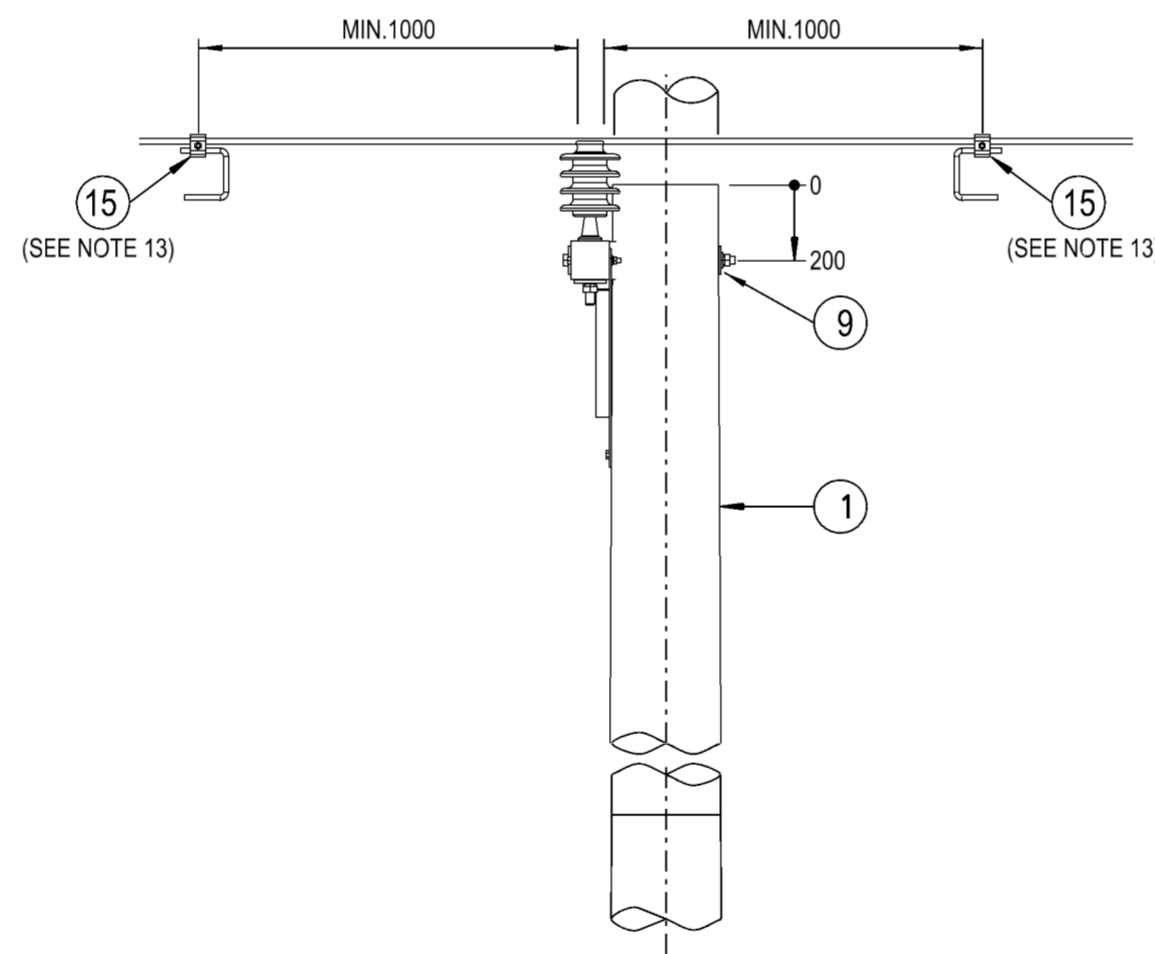
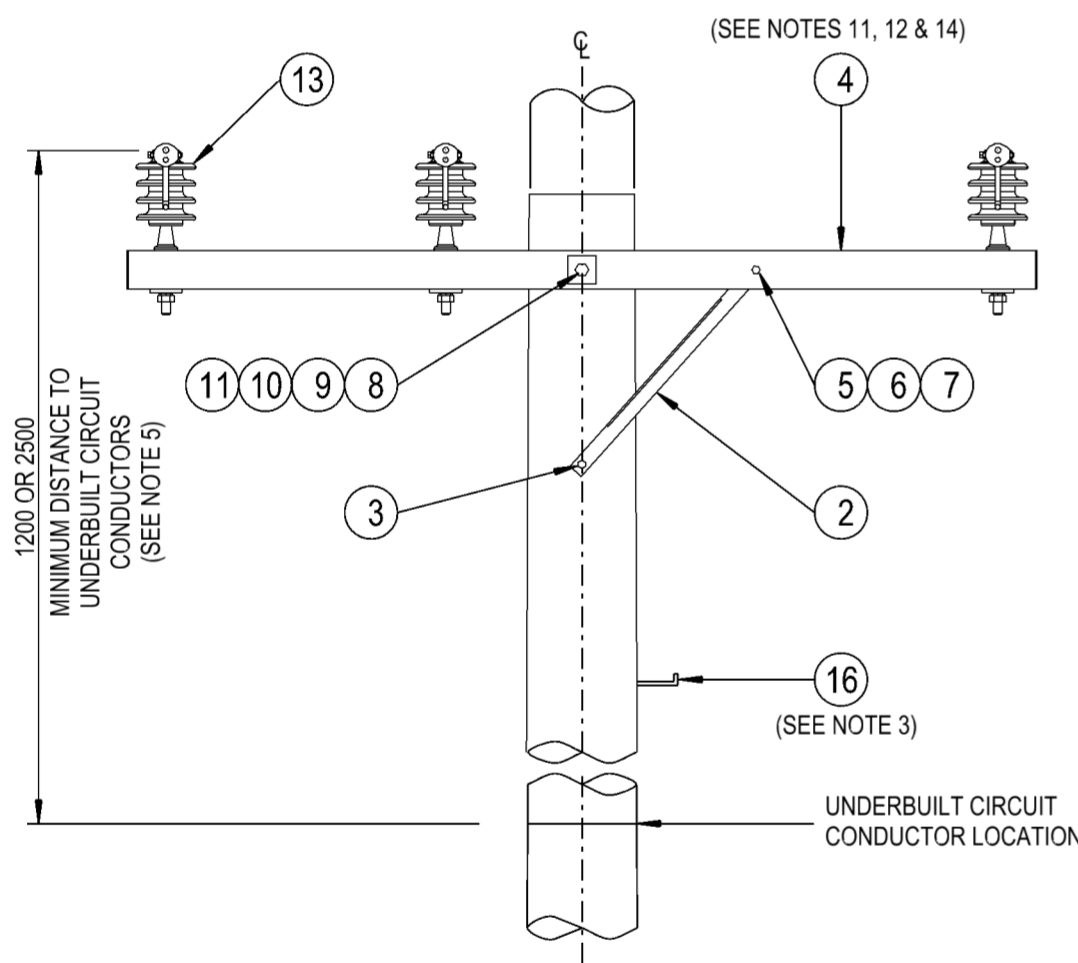
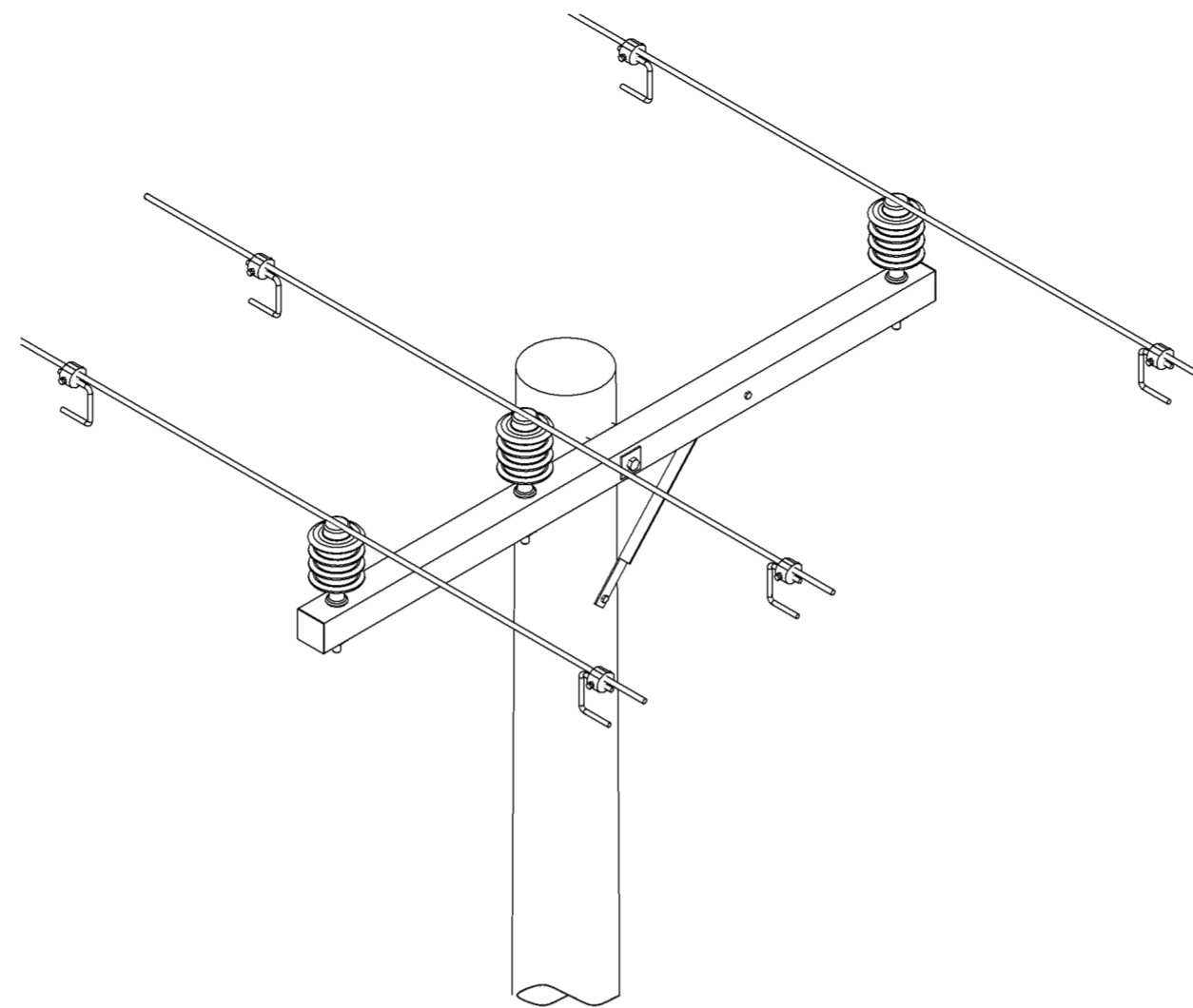
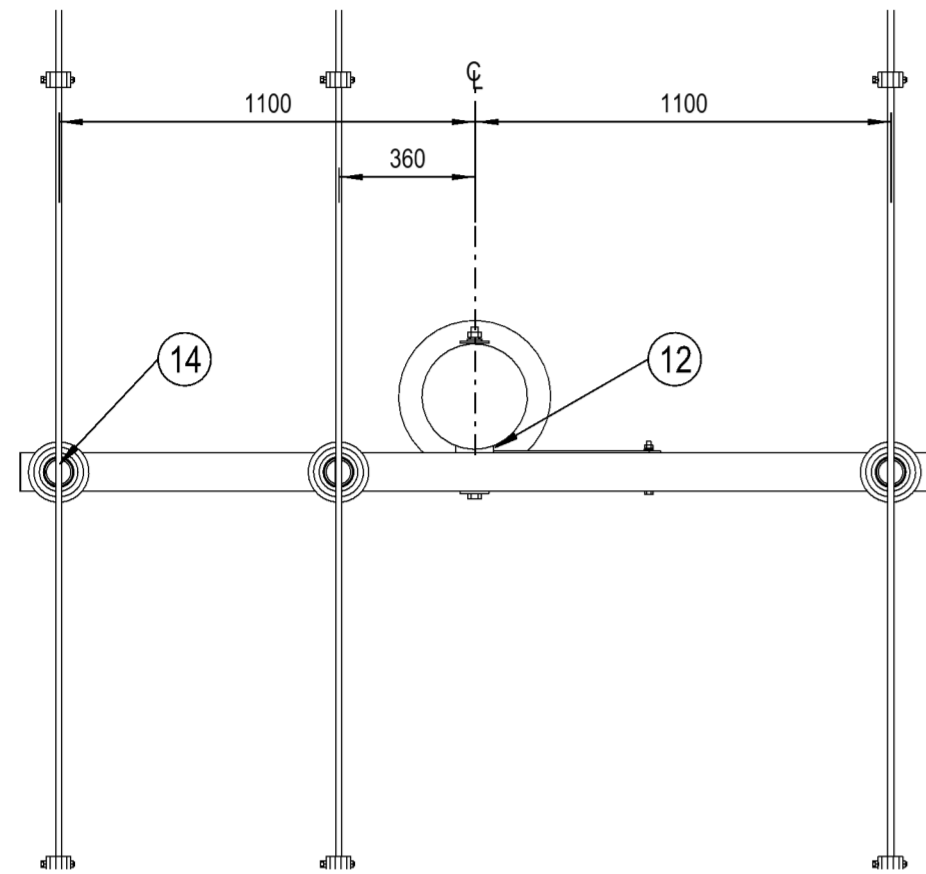
D

E

F

**NOTES :**

1. THE FOLLOWING INFORMATION IS OBTAINED FROM THE PROJECT DESIGN DRAWINGS:
  - a. POLE LENGTH AND STRENGTH.
  - b. SPECIAL FOUNDATION REQUIREMENTS.
  - c. POLE EMBEDMENT DEPTH.
  - d. CONDUCTOR SIZE.
  - e. CROSSARM REQUIREMENTS.
  - f. STAY REQUIREMENTS.
  - g. DEVIATION ANGLE.
2. THE MAXIMUM LINE DEVIATION ANGLE TO BE CONSTRUCTED ON THIS ARRANGEMENT IS TO BE DETERMINED BY THE LINE DESIGNER.
3. POLE STEPS ARE TO BE INSTALLED IN ACCORDANCE WITH THE REQUIREMENTS OF NS128.
4. ALTERNATE THE CENTRE PHASE INSULATOR ON EITHER SIDE OF THE POLE ALONG THE LINE.
5. IN AREAS WHERE THE 11kV NETWORK CANNOT BE WORKED ON USING LIVE LINE TECHNIQUES, UNDERBUILT CIRCUITS SHALL BE INSTALLED WITH A MINIMUM CLEARANCE OF 1200mm. IN AREAS WHERE THE 11kV NETWORK CAN BE WORKED ON USING LIVE LINE TECHNIQUES, UNDERBUILT CIRCUITS SHALL BE INSTALLED WITH A MINIMUM CLEARANCE OF 2500mm.
6. THIS CONSTRUCTION IS TO BE USED WHEN UNDERBUILDING ANOTHER CIRCUIT OR FOR UNDERCROSSING OTHER CONDUCTORS.
7. ALL BOLTS AND INSULATOR PINS PASSING THROUGH TIMBER ARE TO BE COATED WITH GRAPHITE GREASE.
8. POLES SHALL BE DRILLED, SCARFED AND DRESSED ON SITE. DRILLING AND SCARFING TO BE TREATED WITH APPROVED PRESERVATIVES.
9. TO MAINTAIN THE INTEGRITY OF A COVERED SYSTEM, IT IS ESSENTIAL THAT ALL STRIPPED AND PUNCTURED INSULATION IS CONTAINED WITHIN THE APPROPRIATE INSULATING COVER.
10. SURGE ARRESTERS ARE TO BE INSTALLED ON AN OVERHEAD CCSX CONDUCTOR SYSTEM IN ACCORDANCE WITH THE REQUIREMENTS OF NS126. IF A SURGE ARRESTER IS TO BE INSTALLED ON THIS CONSTRUCTION, IT IS TO BE INSTALLED AS PER THE RELEVANT COVERED CONDUCTOR ARRANGEMENT SPECIFIED IN DRG: 265905.
11. COMPOSITE FIBRE CROSSARMS ARE TO BE USED AS THE PREFERRED OPTION UNDER NORMAL CIRCUMSTANCES.
12. ONLY THE 2406mm COMPOSITE FIBRE CROSSARM OPTION IS SHOWN ON THIS CONSTRUCTION DRAWING. REFER TO DRG: 15232 FOR DRILLING PATTERN OF HARDWOOD CROSSARM.
13. A CCSX EARTHING POINT IS TO BE INSTALLED WHERE REQUIRED FOR OPERATIONAL PURPOSES OR AT LOCATIONS SPECIFIED IN NS126. ONLY ONE SET OF EARTHING POINTS IS REQUIRED ON THIS CONSTRUCTION. THE EARTHING POINTS CAN BE INSTALLED AT EITHER OF THE ALTERNATE LOCATIONS INDICATED.
14. FOR DETAILS OF APPROVED ALTERNATE WAGNER COMPOSITE FIBRE CROSSARMS, REFER TO DRG: 265964.
15. REFER TO DESIGNER SAFETY REPORT D24/81911 FOR ATYPICAL HAZARDS ASSOCIATED WITH THIS STANDARD CONSTRUCTION.



ITEM	DESCRIPTION	DRG. No	STOCK CODE	QTY	
16	STEP - POLE, SCREW-IN (SEE NOTE 3)		250144	185198	A/R
15	EARTH - PARKING, DEVICE, IPC CC TO EPD (ENSTO REF. SLW26.A2) (SEE NOTE 13)			186865	3
14	WIRE - TIE, PREFORMED, INSULATED, FOR CCSX159 (SET OF 6) (ENSTO REF. SO216.157)			186874	1
	WIRE - TIE, PREFORMED, INSULATED, FOR CCSX62 (SET OF 6) (ENSTO REF. SO216.62)			186875	
	WIRE - TIE, PREFORMED, INSULATED, FOR CCSX25 (SET OF 6) (ENSTO REF. SO216.25)			186876	
13	INSULATOR - 11/22kV AERODYNAMIC, (22/450) AND PIN ARRANGEMENT		513997		3
12	BLOCK - GAIN, ALUMINIUM, 100mm			146274	1
11	WASHER - FLAT, M20, GALVANISED		518081	177986	1
10	WASHER - CONICAL, M20, GALVANISED		518082	H39655	1
9	WASHER - SQUARE, 75x75x6mm, GALVANISED (Ø22mm HOLE)		518081	H39231	2
8	BOLT & NUT - M20, HEX., GALVANISED (LENGTH TO SUIT POLE)		515466		1
	WASHER - CONICAL, M12, GALVANISED (USE WITH HARDWOOD CROSSARM)		518082	H39639	1
7	WASHER - SPRING, M12, GALVANISED (USE WITH COMPOSITE FIBRE CROSSARM)		518082	H12047	
6	WASHER - FLAT, M12, GALVANISED		518081	177982	1
5	BOLT & NUT - M12x130mm, HEX., GALVANISED		515466	46805	1
4	CROSSARM - 2400x100x100mm, TYPE H1, HARDWOOD (SEE NOTES 11, 12 & 14)		15232	71928	1
	CROSSARM - 2406x102x102mm, TYPE 8, COMPOSITE FIBRE (SEE NOTES 11, 12 & 14)		262732	186778	
3	SCREW - COACH, M12 x 100mm, GALVANISED			H40484	1
2	BRACE - CROSSARM, ANGLE, TYPE H, 740mm, GALVANISED		46	99119	1
1	POLE - TIMBER (AS REQUIRED)		513988		1

ALL DIMENSIONS IN MILLIMETRES UNLESS NOTED OTHERWISE. DO NOT SCALE.

CAD DRAWING DO NOT MANUALLY AMEND AMENDMENTS	
DWN: P.R.	
CHKD: P.J.	
APPD: G.F.	
DATE: 25/09/2024	
ITEM 15 ADDED. MATERIAL LIST & NOTES AMENDED.	
DWN: P.R.	
CHKD: P.J.	
APPD: G.F.	
DATE: 25/09/2024	
MATERIAL LIST AMENDED. WAGNER CROSSARM NOTE ADDED.	

DESCRIPTION	DRG. No
COMPOSITE FIBRE CROSSARMS WAGNER SPECIFICATION	265964
11kV CCSX CONDUCTOR SURGE ARRESTER ARRANGEMENTS	265905
WOODEN CROSSARMS FOR 11kV LINES	15232
COMPOSITE FIBRE CROSSARMS SPECIFICATION	262732

NETWORK STANDARD

145 NEWCASTLE RD WALLSEND, NSW 2287

SCALE	1:20
DESIGNED	J.BROOKS
DRAWN	P.RIOS
CHECKED	P.JONES
APPROVED	G.FORD
DATE	28/03/2024
PROJECT NUMBER	STD
PROJ/TRAK NUMBER	-

STANDARD CONSTRUCTION	
11kV HORIZONTAL PIN CONSTRUCTION	
2-1CCSX	
SIZE	A2
DRAWING No	265885
SHEET	1
AMD	2