

A

B

C

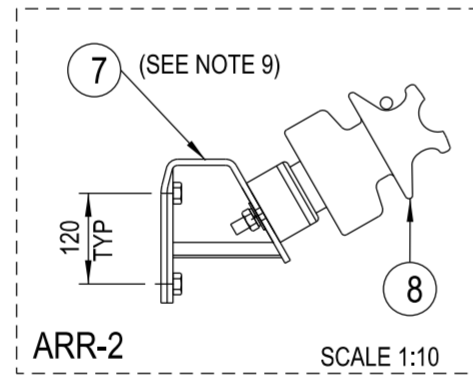
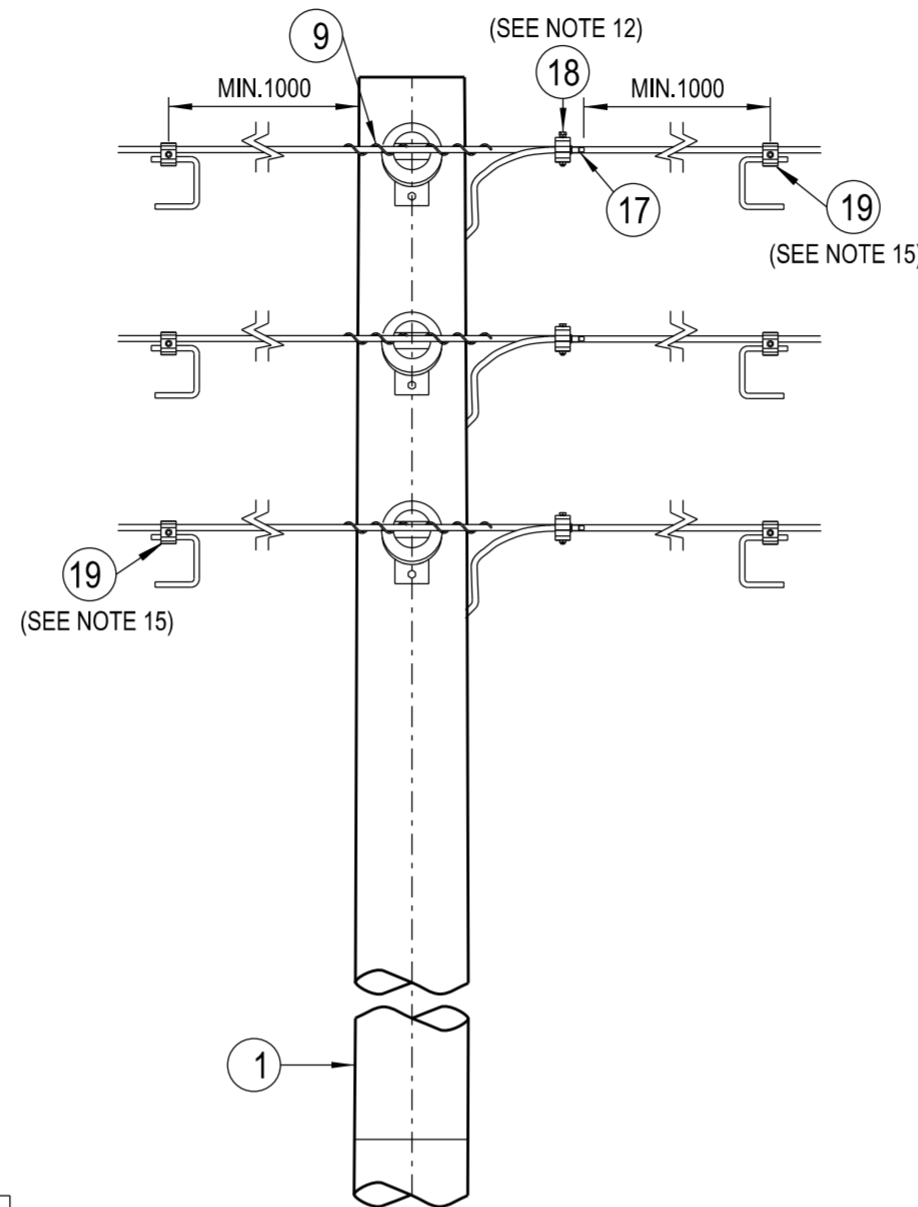
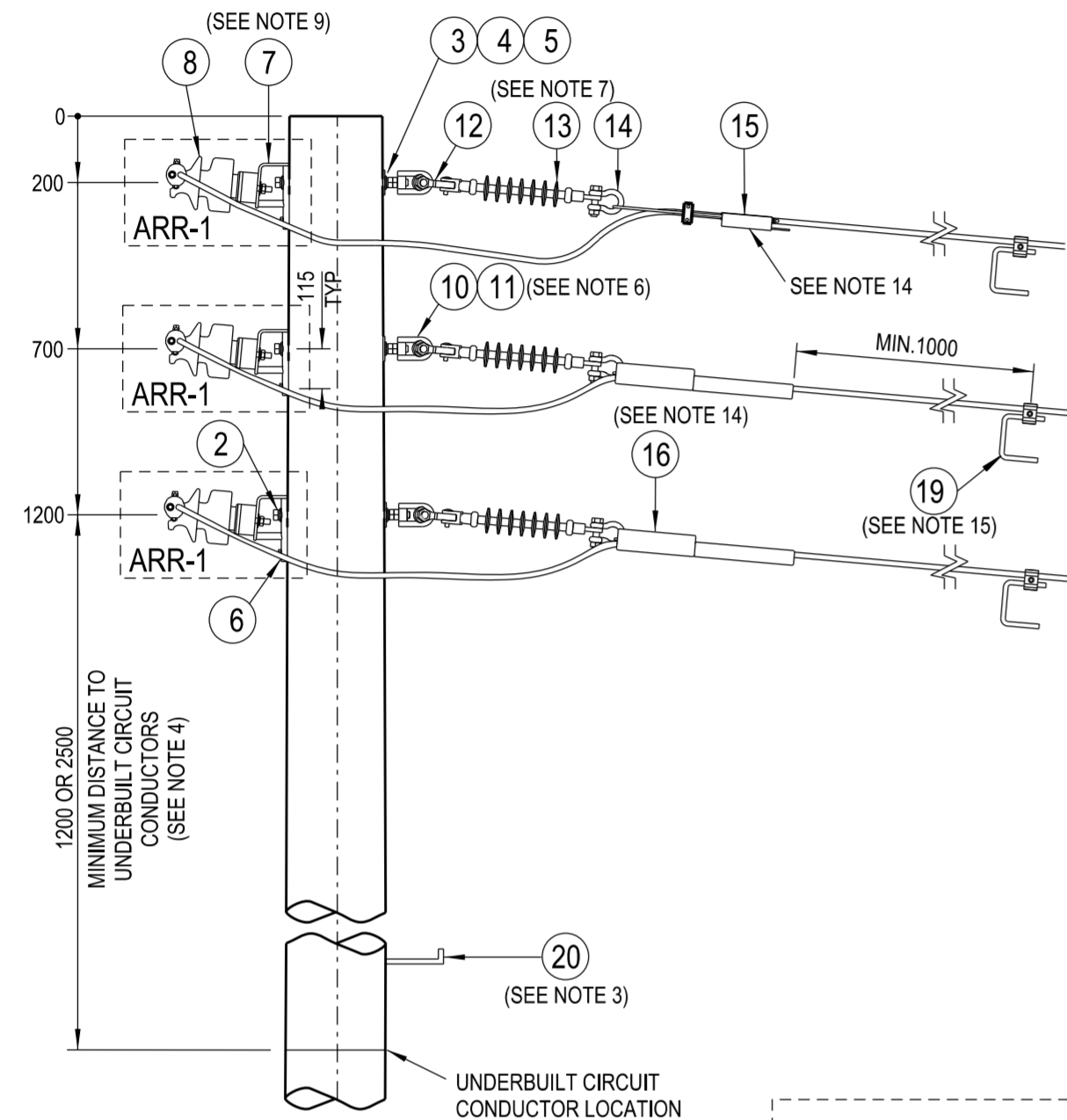
D

E

F

**NOTES :**

1. THE FOLLOWING INFORMATION IS OBTAINED FROM THE PROJECT DESIGN DRAWINGS:
  - a. POLE LENGTH AND STRENGTH.
  - b. SPECIAL FOUNDATION REQUIREMENTS.
  - c. POLE EMBEDMENT DEPTH.
  - d. CONDUCTOR SIZE.
  - e. STAY REQUIREMENTS.
  - f. DEVIATION ANGLE.
2. THE MAXIMUM LINE DEVIATION ANGLE TO BE CONSTRUCTED ON THIS ARRANGEMENT IS TO BE DETERMINED BY THE LINE DESIGNER.
3. POLE STEPS ARE TO BE INSTALLED IN ACCORDANCE WITH THE REQUIREMENTS OF NS128.
4. IN AREAS WHERE THE 11kV NETWORK CANNOT BE WORKED ON USING LIVE LINE TECHNIQUES, UNDERBUILT CIRCUITS SHALL BE INSTALLED WITH A MINIMUM CLEARANCE OF 1200mm. IN AREAS WHERE THE 11kV NETWORK CAN BE WORKED ON USING LIVE LINE TECHNIQUES, UNDERBUILT CIRCUITS SHALL BE INSTALLED WITH A MINIMUM CLEARANCE OF 2500mm.
5. ALL BOLTS PASSING THROUGH TIMBER ARE TO BE COATED WITH GRAPHITE GREASE.
6. THE LOAD AND DEVIATION ALLOWABLE ON THE BOLT AND EYENUT ASSEMBLY IS TO BE DETERMINED FROM DRG: 520331.
7. LONGROD INSULATORS ARE TO BE USED UNDER NORMAL CONDITIONS.
8. POLES SHALL BE DRILLED, SCARFED AND DRESSED ON SITE. DRILLING AND SCARFING TO BE TREATED WITH APPROVED PRESERVATIVES.
9. ARRANGEMENT 1 OF THIS STRUCTURE IS DESIGNED FOR USE WHERE THE LINE DEVIATION ANGLE IS LESS THAN 10°. ARRANGEMENT 2 OF THIS STRUCTURE IS DESIGNED FOR USE WHERE THE LINE DEVIATION ANGLE IS BETWEEN 10° AND 30°.
10. TO MAINTAIN THE INTEGRITY OF A COVERED SYSTEM, IT IS ESSENTIAL THAT ALL STRIPPED AND PUNCTURED INSULATION IS CONTAINED WITHIN THE APPROPRIATE INSULATING COVER.
11. CCSX CONDUCTOR INSULATION SHALL ONLY BE REMOVED BY THE USE OF AN APPROVED CONDUCTOR STRIPPING TOOL.
12. IPC'S ARE TO BE USED TO JOIN CONDUCTORS.
13. SURGE ARRESTERS ARE TO BE INSTALLED ON AN OVERHEAD CCSX CONDUCTOR SYSTEM IN ACCORDANCE WITH THE REQUIREMENTS OF NS126. IF A SURGE ARRESTER IS TO BE INSTALLED ON THIS CONSTRUCTION, IT IS TO BE INSTALLED AS PER THE RELEVANT COVERED CONDUCTOR ARRANGEMENT SPECIFIED IN DRG: 265905.
14. COVERS TO BE INSTALLED OVER ALL TERMINATION WEDGE CLAMPS/COMPRESSION DEADENDS. COVER SHOWN REMOVED ON ONE PHASE TO SHOW DETAIL OF TERMINATION MATERIAL.
15. A CCSX EARTHING POINT IS TO BE INSTALLED WHERE REQUIRED FOR OPERATIONAL PURPOSES OR AT LOCATIONS SPECIFIED IN NS126. TWO SETS OF EARTHING POINTS ARE REQUIRED ON THIS CONSTRUCTION. ONE SET OF EARTHING POINTS CAN BE INSTALLED AT EITHER OF THE ALTERNATE LOCATIONS INDICATED ON THE THROUGH CONDUCTORS AND ONE SET CAN BE INSTALLED ON THE TEE CONDUCTORS.
16. REFER TO DESIGNER SAFETY REPORT D24/83651 FOR ATYPICAL HAZARDS ASSOCIATED WITH THIS STANDARD CONSTRUCTION.



20	STEP - POLE, SCREW-IN (SEE NOTE 3)	250144	185198	A/R
19	EARTH - PARKING, DEVICE, IPC CC TO EPD (ENSTO REF. SLW26.A2) (SEE NOTE 15)		186865	6
18	JOINT - NON TENSION, IPC TO IPC (ENSTO REF. SLW26.A) (SEE NOTE 12)		186863	3
17	CAP - CONDUCTOR (ENSTO REF. CSEC1.2) (TO BE USED FOR CCSX159)		186887	3
	CAP - CONDUCTOR (ENSTO REF. CSEC1.1) (TO BE USED FOR CCSX25 & CCSX62)		186886	
16	COVER - TERMINATION (ENSTO REF. SP63.3) (TO BE USED FOR CCSX159) (SET OF 3) (SEE NOTE 14)		186871	1
	COVER - TERMINATION (ENSTO REF. SP63.3) (TO BE USED FOR CCSX62) (SET OF 3) (SEE NOTE 14)		186872	
15	CLAMP - TERMINATION, WEDGE (ENSTO REF. SO256.2S) (TO BE USED FOR CCSX159)		186867	3
	CLAMP - TERMINATION, WEDGE (ENSTO REF. SO255.2S) (TO BE USED FOR CCSX62)		186868	
	DEADEND - COMPRESSION (ENSTO REF. CDE 25) (INCLUDES COLDSHRINK COVER) (TO BE USED FOR CCSX25)		186870	
14	SHACKLE - BOW, 70kN, REF. 70/S, A.S.1154.2		30890	3
13	INSULATOR - LONGROD, 11/22kV, POLYMERIC, 70kN (CLEVIS/TONGUE) (SEE NOTE 7)		150375	3
12	TONGUE - 'Y' CLEVIS, 70kN, A.S. 1154.2 (PLP PART No.: CTY-070-1)			3
11	NUT - M20, HEX, GALVANISED	515466	175361	3
10	EYENUT - M20, GALVANISED (SEE NOTE 6)	513951	H38853	3
9	WIRE - TIE, PREFORMED, INSULATED, FOR CCSX159 (SET OF 6) (ENSTO REF. SO216.157)		186874	1
	WIRE - TIE, PREFORMED, INSULATED, FOR CCSX62 (SET OF 6) (ENSTO REF. SO216.62)		186875	
	WIRE - TIE, PREFORMED, INSULATED, FOR CCSX25 (SET OF 6) (ENSTO REF. SO216.25)		186876	
8	INSULATOR - PIN POST, SHORT STUD		144584	3
7	BRACKET - INSULATOR, GALVANISED (FOR ARR-2) (SEE NOTE 9)		144634	3
	BRACKET - INSULATOR, GALVANISED (FOR ARR-1) (SEE NOTE 9)		144626	
6	SCREW - COACH, M16x130mm, GALVANISED		50401	3
5	WASHER - FLAT, M20, GALVANISED	518081	177986	3
4	WASHER - CONICAL, M20, GALVANISED	518082	H39655	3
3	WASHER - SQUARE, 75x75x6mm, GALVANISED (Ø22mm HOLE)	518081	H39231	3
2	BOLT & NUT - M20, HEX, GALVANISED (LENGTH TO SUIT POLE)	515466		3
1	POLE - TIMBER (AS REQUIRED)	513988		1
ITEM	DESCRIPTION	DRG. No	STOCK CODE	QTY

ALL DIMENSIONS IN MILLIMETRES UNLESS NOTED OTHERWISE. DO NOT SCALE.

CAD DRAWING DO NOT MANUALLY AMEND AMENDMENTS DWN: P.R. CHKD: P.J. APPD: G.F.	DATE: 21/05/2024 ITEM 19 ADDED. MATERIAL LIST & NOTES AMENDED. DRAWING BORDER CHANGED TO A2 SIZE.	DWN: P.R. CHKD: check_by APPD: approve	DATE: date PIN POST INSULATORS UPDATED.
1	2		

1	2	3	4	5	6	7	8
ASSOCIATED DRAWINGS							

NETWORK STANDARD

145 NEWCASTLE RD WALLSEND, NSW 2287

SCALE	1:20	STANDARD CONSTRUCTION			
DESIGNED	J.BROOKS	11kV VERTICAL PIN POST			
DRAWN	P.RIOS	WITH TEE OFF CONSTRUCTION			
CHECKED	P.JONES	2-242CCSX			
APPROVED	G.FORD	SIZE	DRAWING No	SHEET	AMD
DATE	28/03/2024	A2	265897	1	2
PROJECT NUMBER	STD				
PROJTRAK NUMBER	-				