

A

B

C

D

E

F

A

B

C

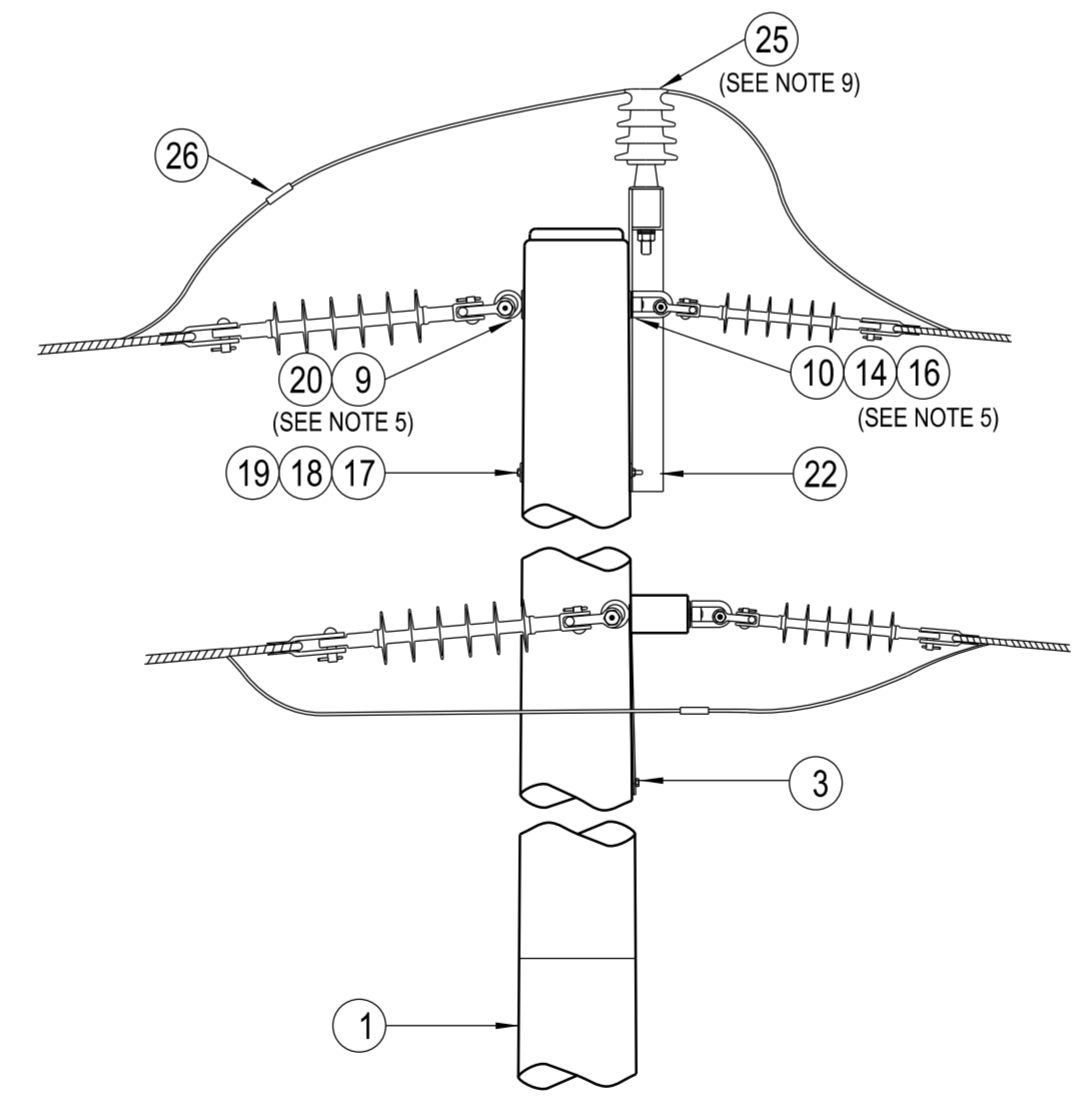
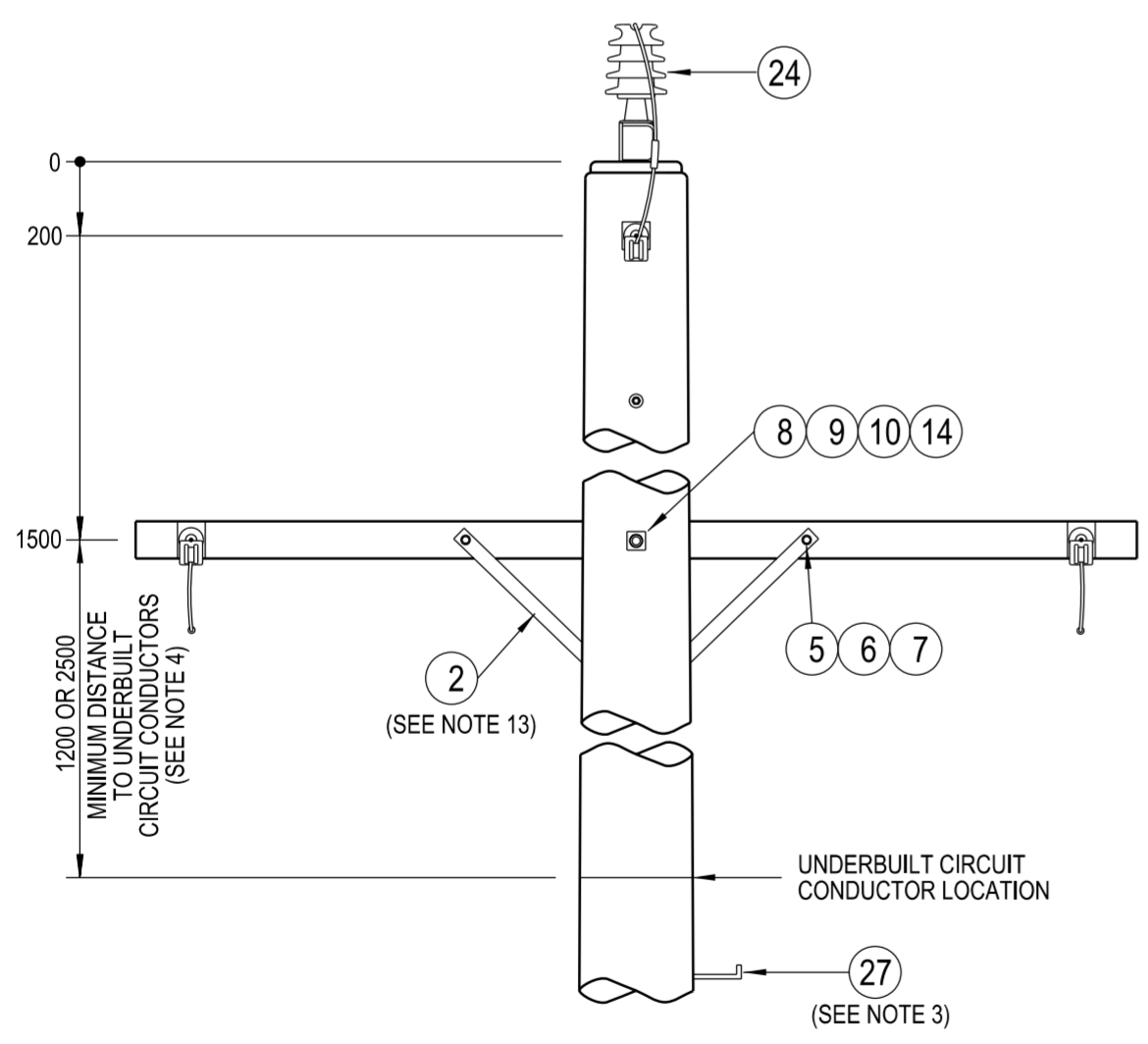
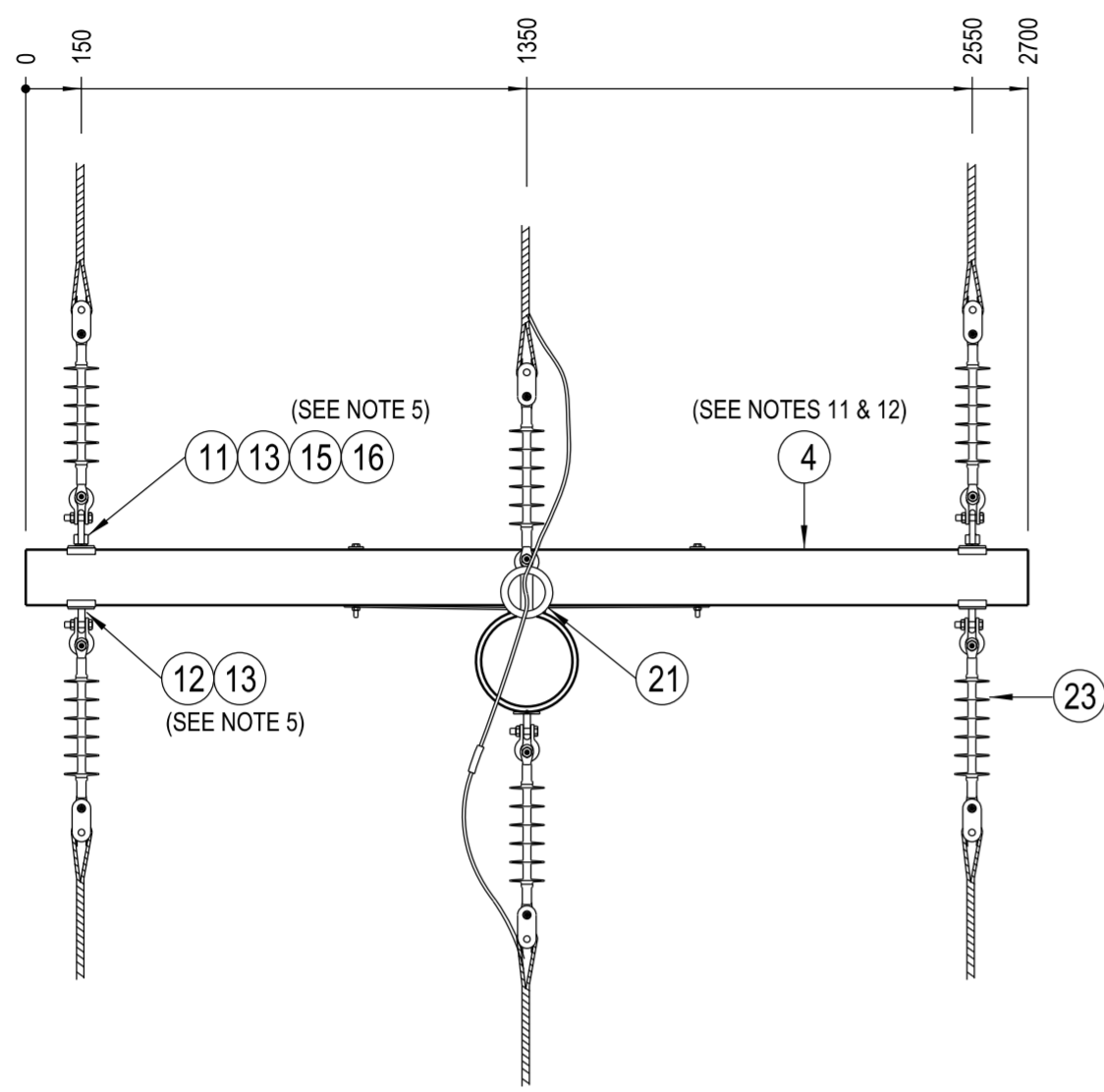
D

E

F

**NOTES :**

1. THE FOLLOWING INFORMATION IS OBTAINED FROM THE PROJECT DESIGN DRAWINGS :
  - a. POLE LENGTH AND STRENGTH.
  - b. SPECIAL FOUNDATION REQUIREMENTS.
  - c. POLE EMBEDMENT DEPTH.
  - d. CONDUCTOR SIZE.
  - e. CROSSARM SIZE AND BRACE REQUIREMENTS.
  - f. STAY REQUIREMENTS.
  - g. DEVIATION ANGLE.
  - h. ASSESSED EARTHING REQUIREMENTS.
2. THE MAXIMUM LINE DEVIATION ANGLE TO BE CONSTRUCTED ON THIS ARRANGEMENT IS TO BE DETERMINED BY THE LINE DESIGNER.
3. POLE STEPS ARE TO BE INSTALLED IN ACCORDANCE WITH THE REQUIREMENTS OF NS126.
4. IN AREAS WHERE THE 11kV NETWORK CANNOT BE WORKED ON USING LIVE LINE TECHNIQUES, UNDERBUILT CIRCUITS SHALL BE INSTALLED WITH A MINIMUM CLEARANCE OF 1200mm. IN AREAS WHERE THE 11kV NETWORK CAN BE WORKED ON USING LIVE LINE TECHNIQUES, UNDERBUILT CIRCUITS SHALL BE INSTALLED WITH A MINIMUM CLEARANCE OF 2500mm.
5. THE LOAD AND DEVIATION ALLOWABLE ON THE EYEBOLT AND EYENUT ASSEMBLY IS TO BE DETERMINED FROM DRG : 520331.
6. LONGROD INSULATORS TO BE USED UNDER NORMAL CONDITIONS.
7. POLES SHALL BE DRILLED, SCARFED AND DRESSED ON SITE. DRILLING AND SCARFING TO BE TREATED WITH APPROVED PRESERVATIVES.
8. NON-TENSION COMPRESSION SLEEVES TO BE USED WHEN REQUIRED TO JOIN CONDUCTORS.
9. USE THE ANGLE TYPE CONDUCTOR TIE ARRANGEMENT AS SHOWN ON DRG : 514038.
10. ALL BOLTS AND INSULATOR PINS PASSING THROUGH TIMBER ARE TO BE COATED WITH GRAPHITE GREASE.
11. A 2700mm CROSSARM IS TO BE USED AS THE DEFAULT CROSSARM. FOR NARROW FEEDER ALIGNMENTS, A 2400mm CROSSARM MAY BE CONSIDERED TO OVERCOME DESIGN AND SITE CONSTRAINTS. A 3070mm COMPOSITE FIBRE OR 3000mm STEEL CROSSARM IS TO BE USED WHEN THE MAXIMUM LOAD OF A TIMBER CROSSARM IS EXCEEDED.
12. ONLY THE 2700mm CROSSARM OPTION IS SHOWN ON THIS CONSTRUCTION DRAWING. REFER TO DRGS : 15232, 514377 & 237491 FOR DRILLING PATTERN OF ALTERNATE CROSSARMS.
13. THE 690mm CROSSARM BRACES ARE TO BE USED ON A 2700mm, 3000mm & 3070mm CROSSARM. THE 740mm CROSSARM BRACE IS TO BE USED ON A 2400mm CROSSARM.



ITEM	DESCRIPTION	DRG. No	STOCK CODE	QTY
27	STEP - POLE, SCREW-IN (SEE NOTE 3)	250144	185198	A/R
26	JOINT - NON TENSION, COMPRESSION (TO SUIT CONDUCTOR)	514053		3
25	TIE - CONDUCTOR, HIGH VOLTAGE, SUPPORT ARRANGEMENT (SEE NOTE 9)	514038		1m
24	INSULATOR - 11/22kV AERODYNAMIC, (22/450) AND PIN ARRANGEMENT	513997		1
23	INSULATOR - 11/22kV LONGROD, STRING ARRANGEMENT AR -2	565715		6
22	BRACKET - POLE TOP, GALVANISED	514380	H17314	1
21	BLOCK - GAIN, ALUMINIUM, 125mm (USE WITH 3070mm CROSSARM)		146282	1
	BLOCK - GAIN, ALUMINIUM, 100mm (USE WITH 2400mm, 2700mm & 3000mm CROSSARMS)		146274	
20	EYEBOLT - M20, GALVANISED (LENGTH TO SUIT POLE) (SEE NOTE 5)	513653		1
19	WASHER - CONICAL, M12, GALVANISED	518082	H39639	1
18	WASHER - FLAT, M12, GALVANISED	518081	177982	2
17	BOLT & NUT - M12, HEX., GALVANISED (LENGTH TO SUIT POLE)	515466		1
16	EYENUT - M20, GALVANISED (SEE NOTE 5)	513951	H38853	3
15	WASHER - FLAT, M20, GALVANISED (USE WITH 2400mm & 2700mm CROSSARMS)	518081	177986	3
14	WASHER - FLAT, M20, GALVANISED	518081	177986	2
13	WASHER - SQUARE, 75x75x6mm, GALVANISED (Ø22mm HOLE) (USE WITH 3070mm CROSSARM)	518081	H39231	4
	WASHER - LIP, M24, GALVANISED (USE WITH 2400mm, 2700mm & 3000mm CROSSARMS)	518081	176912	
12	EYEBOLT - M20x200mm, GALVANISED (SEE NOTE 5)	513653	H37881	2
11	WASHER - SPRING, M20, GALVANISED (USE WITH 3000mm & 3070mm CROSSARMS)	518082	175569	2
	WASHER - CONICAL, M20, GALVANISED (USE WITH 2400mm & 2700mm CROSSARMS)	518082	H39655	
10	WASHER - CONICAL, M20, GALVANISED	518082	H39655	2
9	WASHER - SQUARE, 75x75x6mm, GALVANISED (Ø22mm HOLE)	518081	H39231	3
8	BOLT & NUT - M20, GALVANISED (LENGTH TO SUIT POLE)	515466		1
	WASHER - SPRING, M12, GALVANISED (USE WITH 3000mm & 3070mm CROSSARMS)	518082	H12047	2
7	WASHER - CONICAL, M12, GALVANISED (USE WITH 2400mm CROSSARM)	518082	H39639	1
	WASHER - CONICAL, M12, GALVANISED (USE WITH 2700mm CROSSARM)	518082	H39639	2
6	WASHER - FLAT, M12, GALVANISED (USE WITH 2400mm CROSSARM)	518081	177982	2
	WASHER - FLAT, M12, GALVANISED (USE WITH 2700mm, 3000mm & 3070mm CROSSARMS)	518081	177982	4
5	BOLT & NUT - M12x150mm, HEX., GALVANISED (USE WITH 3070mm CROSSARM)	515466	46847	2
	BOLT & NUT - M12x150mm, HEX., GALVANISED (USE WITH 2400mm CROSSARM)	515466	46847	1
	BOLT & NUT - M12x180mm, HEX., GALVANISED (USE WITH 2700mm & 3000mm CROSSARMS)	515466	46888	2
4	CROSSARM - 3070x125x125mm, ITEM 3, COMPOSITE FIBRE (SEE NOTES 11 & 12)	237491	183935	
	CROSSARM - 3000x150x100x5mm, RHS, GALVANISED (SEE NOTES 11 & 12)	514377	H23787	1
	CROSSARM - 2400x125x100mm, TYPE H2, HARDWOOD (SEE NOTES 11 & 12)	15232	71910	
	CROSSARM - 2700x150x100mm, TYPE C, HARDWOOD (SEE NOTES 11 & 12)	514373	H23907	
3	SCREW - COACH, M12x100mm, GALVANISED		H40484	1
2	BRACE - CROSSARM, ANGLE, TYPE H, 740mm, GALVANISED (SEE NOTE 13)	46	99119	1
	BRACE - CROSSARM, FLAT, 690mm, GALVANISED (SEE NOTE 13)	514385	H17738	2
1	POLE - TIMBER (AS REQUIRED)	513988		1

ALL DIMENSIONS IN MILLIMETRES UNLESS NOTED OTHERWISE. DO NOT SCALE.

CAD DRAWING DO NOT MANUALLY AMEND AMENDMENTS	
DWN: PATRICIA RIOS	
CHKD: PHILLIP JONES	
DATE: 16/08/2019	
M20 FLAT WASHER ADDED. NOTES & MATERIAL LIST AMENDED. SHEET SIZE CHANGED.	
APPD by: GLENN FORD	

DESCRIPTION	DRG. No
COMPOSITE FIBRE CROSSARM MECHANICAL LOAD REQUIREMENTS	237491
HV TERMINATION STEEL CROSSARM CONSTRUCTION DETAILS	514377
WOODEN CROSSARMS FOR 11kV LINES	15232
HV CONDUCTOR TIE SUPPORT ARRANGEMENTS	514038
20mm EYEBOLT & EYENUT ASSEMBLY LOADING & DEVIATION GRAPH	520331
ASSOCIATED DRAWINGS	

NETWORK STANDARD  
  
 145 NEWCASTLE RD WALLSEND, NSW 2287

SCALE	1:20	STANDARD CONSTRUCTION		
DESIGNED	-	11kV LARGE THROUGH DELTA		
DRAWN	PETER SAUNDERS	TERMINATION CONSTRUCTION		
CHECKED	P.A.S	2-30		
APPROVED	I.NICHOLS			
DATE	07/11/94			
PROJECT NUMBER	STD			
PROJ/TRAK NUMBER	NET STD	SIZE	DRAWING No	SHEET
		A2	513919	01
				AMD
				7