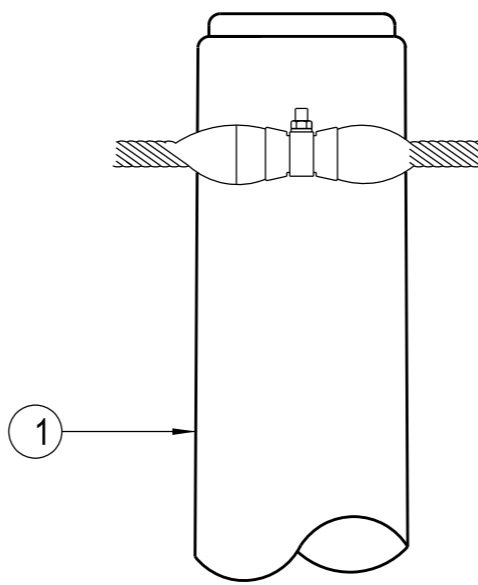
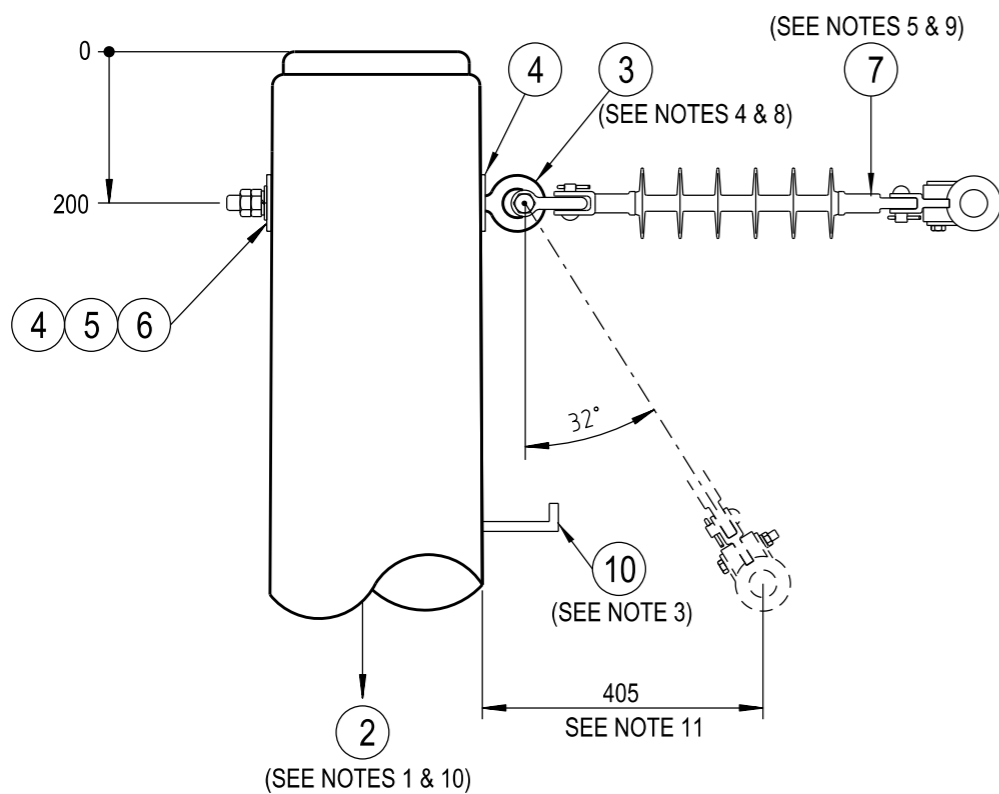


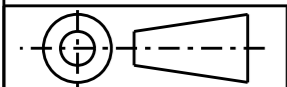
DETAIL A



NOTES :

1. THE FOLLOWING INFORMATION IS OBTAINED FROM THE PROJECT DESIGN DRAWINGS:
 - a. POLE LENGTH AND STRENGTH.
 - b. SPECIAL FOUNDATION REQUIREMENTS.
 - c. POLE EMBEDMENT DEPTH.
 - d. PHASE CONDUCTOR SIZE.
 - e. STAY REQUIREMENTS.
 - f. DEVIATION ANGLE.
 - g. ASSESSED EARTHING REQUIREMENTS.
2. THE MAXIMUM LINE DEVIATION ANGLE TO BE CONSTRUCTED ON THIS ARRANGEMENT IS TO BE DETERMINED BY THE LINE DESIGNER.
3. POLE STEPS ARE TO BE INSTALLED IN ACCORDANCE WITH THE REQUIREMENTS OF NS128.
4. THE LOAD AND DEVIATION ALLOWABLE ON THE EYEBOLT IS TO BE DETERMINED FROM DRG: 520324.
5. LONGROD INSULATORS TO BE USED UNDER NORMAL CONDITIONS.
6. POLES SHALL BE DRILLED, SCARFED AND DRESSED ON SITE. DRILLING AND SCARFING TO BE TREATED WITH APPROVED PRESERVATIVES.
7. ALL BOLTS PASSING THROUGH TIMBER ARE TO BE COATED WITH GRAPHITE GREASE.
8. THE EYEBOLT IS TO BE INSTALLED TO BISECT THE ANGLE OF DEVIATION.
9. A LINE GUARD AND SUSPENSION CLAMP AS SHOWN IN DETAIL A IS TO BE USED WITH A GALVANISED STEEL CONDUCTOR. USE A STANDARD ARMOUR GRIP SUSPENSION UNIT AS INDICATED IN ARRANGEMENT 1 ON DRG: 565715 WITH AN ALUMINIUM CONDUCTOR.
10. USE POLE FOOTING ARRANGEMENT ON DRG: 508726 UNLESS STATED OTHERWISE.
11. THE MINIMUM INSULATOR SWING ANGLE IS 32° WHICH IS OBTAINED WHEN THE CONDUCTOR HAS 405mm CLEARANCE FROM THE POLE.
12. REFER TO DESIGNER SAFETY REPORT D21/125229 FOR ATYPICAL HAZARDS ASSOCIATED WITH THIS STANDARD CONSTRUCTION.

ITEM	DESCRIPTION	DRG. No	STOCK CODE	QTY
10	STEP - POLE, SCREW-IN (SEE NOTE 3)	250144	185198	A/R
9	CLAMP - SUSPENSION (TO SUIT CONDUCTOR) (SEE NOTE 9)	514132		1
8	GUARD - LINE (TO SUIT CONDUCTOR) (SEE NOTE 9)	514098		1
7	INSULATOR - 11/22kV LONGROD, STRING ARRANGEMENT AR-1 (SEE NOTES 5 & 9)	565715		1
6	WASHER - FLAT, M20, GALVANISED	518081	177986	1
5	WASHER - CONICAL, M20, GALVANISED	518082	H39655	1
4	WASHER - SQUARE, 75x75x6mm, GALVANISED ((Ø22mm HOLE)	518081	H39231	2
3	EYEBOLT - M20, GALVANISED (LENGTH TO SUIT POLE) (SEE NOTES 4 & 8)	513653		1
2	FOOTING - TIMBER POLE, ARRANGEMENT (SEE NOTES 1 & 10)	508726		1
1	POLE - TIMBER (AS REQUIRED)	513988		1



ALL DIMENSIONS IN MILLIMETRES UNLESS NOTED OTHERWISE. DO NOT SCALE.

CAD DRAWING DO NOT MANUALLY AMEND A M E N D M E N T S	DWN: PATRICIA RIOS	AUTH'D by: STEPHEN CONNOR	DWN: PATRICIA RIOS
	CHKD: PHIL JONES		CHKD: PHILLIP JONES
01 DATE: 21/06/2006 DRG NUMBER UPDATED TO 500,000 SERIES. STOCK CODES REMOVED. SHEET SIZE CHANGED.	2 DATE: 26/05/2021 M20 WASHER ADDED. NOTES & MATERIAL LIST AMENDED.	APP'D by: GLENN FORD	

NETWORK STANDARD

 145 NEWCASTLE RD WALLSEND,
 NSW 2287

SCALE	1:10	STANDARD CONSTRUCTION 12.7kV SWER ANGLE CONSTRUCTION 2-203			
DESIGNED	-				
DRAWN	P.S				
CHECKED	-				
APPROVED	R.BREMPELL				
DATE	31/05/95	PROJECT NUMBER	NET STD	SIZE	A3
PROJTRAK NUMBER	-	DRAWING No	520292	SHEET	01
				AMD	2