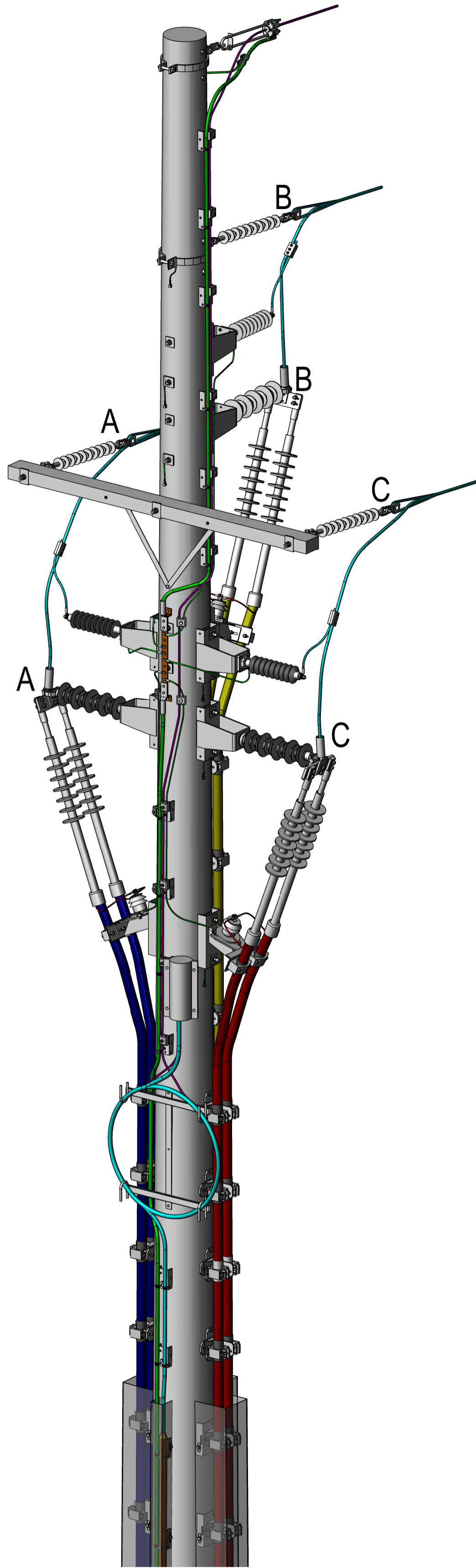
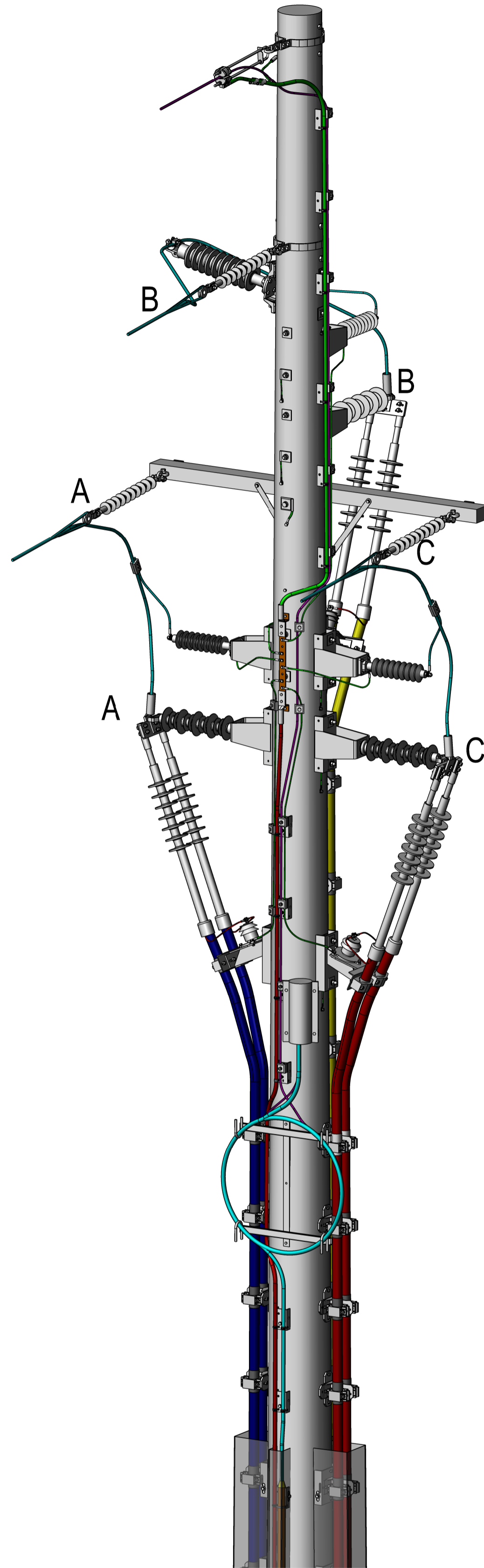


PHASE MARKINGS
INDICATIVE ONLY
REFER TO ROUTE
PLAN FOR PHASING



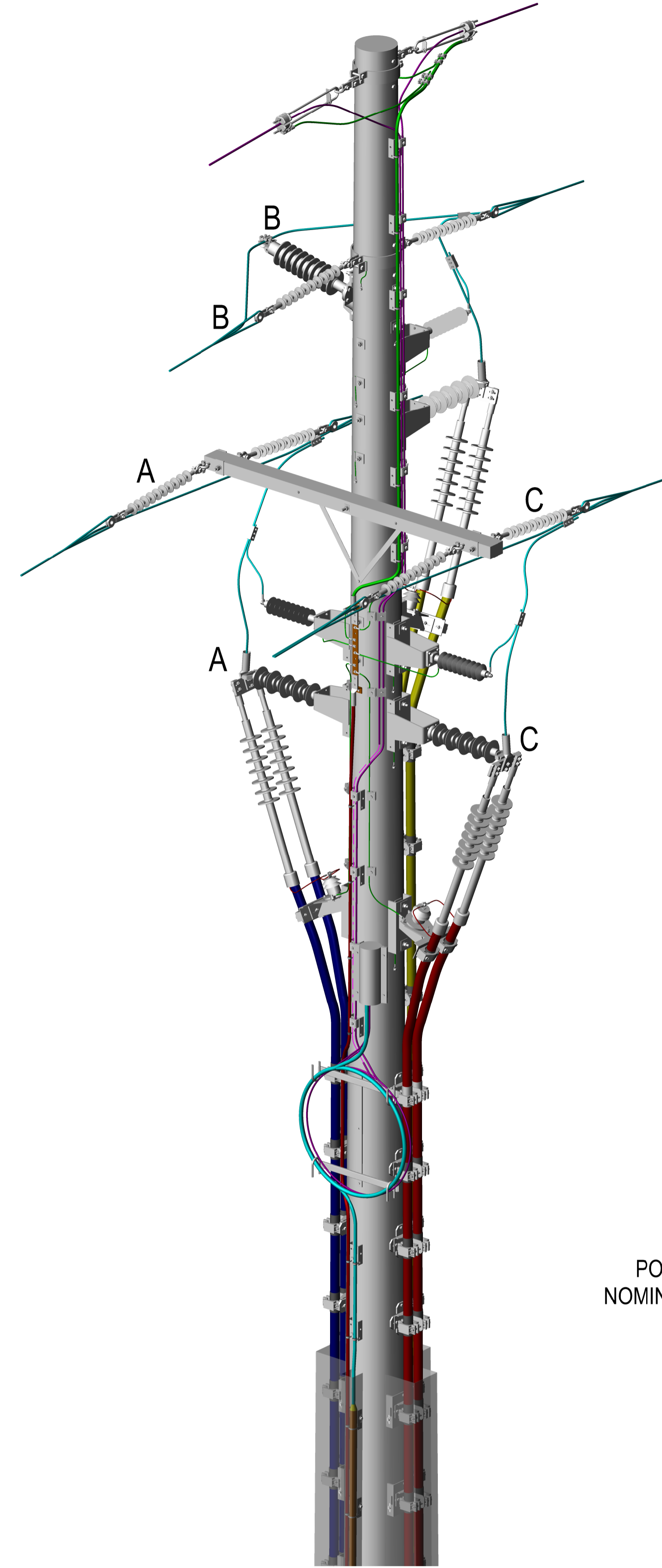
POLE TOP TYPE 1

CENTRE PHASE CABLE
UNDERNEATH OVERHEAD TERMINATIONS



POLE TOP TYPE 2

CENTRE PHASE CABLE
OPPOSITE SIDE TO OVERHEAD TERMINATIONS



POLE TOP TYPE 3

THROUGH TERMINATION
WITH UGOH TEE OFF

POLE TOP TYPE TO BE
NOMINATED ON ROUTE PLAN

CAD DRAWING
DO NOT MANUALLY AMEND
AMENDMENTS

ASSOCIATED DRAWINGS			

NETWORK STANDARD	
Ausgrid	
145 NEWCASTLE RD WALLSEND, NSW 2287	

SCALE	1:25
DESIGNED	PHILLIP JONES
DRAWN	PATRICIA RIOS
CHECKED	PHILLIP JONES
APPROVED	GLENN FORD
DATE	10/06/20
PROJECT NUMBER	STD
PROJTRAK NUMBER	-

STANDARD CONSTRUCTION	
33kV UGOH ON CONCRETE POLE	
300mm ² -1600mm ² - TWIN CABLES PER PHASE	
SCREEN EARTHED ASSEMBLY	
POLE HEAD TYPES	

SIZE	DRAWING No	SHEET	AMD
A1	229262	03	0