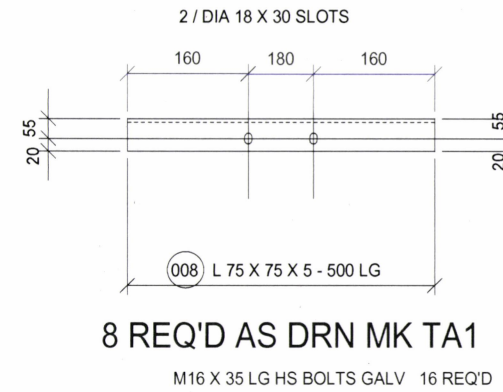
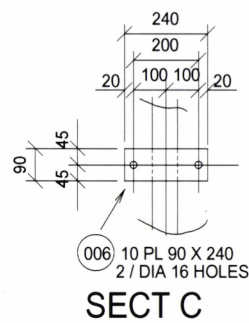
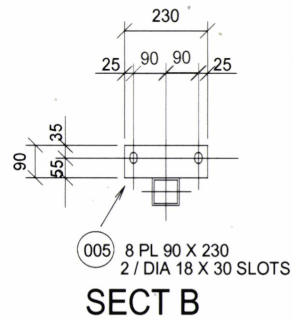
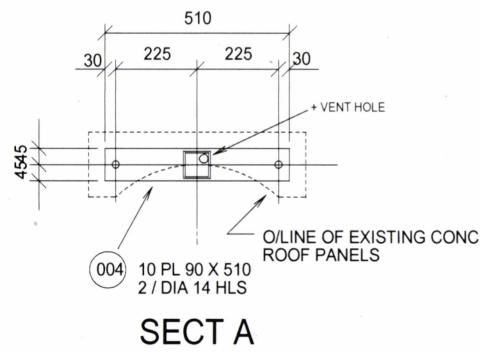


8 COLS REQ'D AS DRN MARK SC1, SC2, SC3, SC4, SC5, SC6, SC7, SC8 ALL GALV  
 SECT X ON DRWG SD001



"FOR CONSTRUCTION"  
 REV D 9.9.2011

251569\_01R00

REV D 9.9.2011 "FOR CONSTRUCTION" ISSUE  
 REV C 2.9.2011 PURLINS DELETED, TA1 TRIMMING ANGLES ADDED  
 REV B 31.8.2011 PURLIN LENGTHS CHANGED  
 REV A 24.8.2011 PLATE 006 ON HOLD

ITEM	DESCRIPTION	QTY	LENGTH	REMARKS
008	L 75 X 75 X 5	8	500	
007	10 PL 100 X 150	8		
006	10 PL 90 X 240	56		
005	8 PL 90 X 230	8		
004	10 PL 90 X 510	8		
003	SHS 75 X 75 X 5	8	150	
002	8 PL 150 X 100	8		
001	RHS 150 X 100 X 6	8	5915	

<b>ED WING</b> STRUCTURAL SHOP DETAIL 13 BRUCE STREET, STANMORE, N.S.W. 2048 Ph./Fax: (02) 95645438 Mobile: 0413 489 125 email - edwing@optusnet.com.au		PROJECT: ZN 2568 ST PETERS 231 SYDNEY PARK RD ST PETERS	
DATE	SCALE	NUMBER	
22.8.2011	NTS	SD 102 / D	