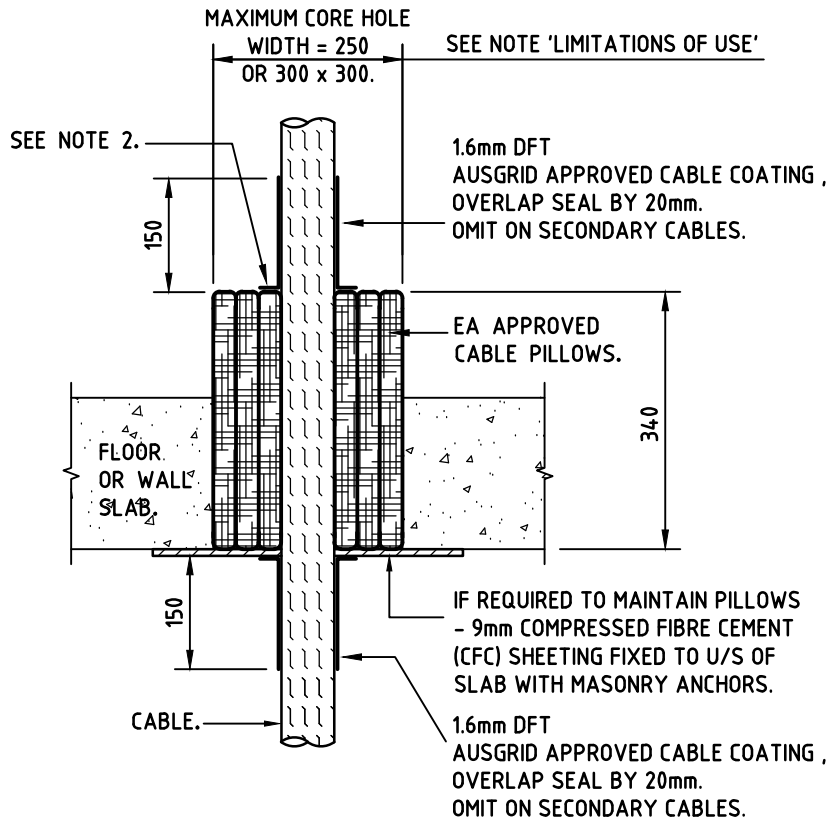


NS 171 DETAIL - APPENDIX B



NOTES:

1. CABLE PILLOWS MUST BE PLACED SO THAT THEY ARE EQUALLY CENTRED EITHER SIDE OF THE PENETRATION.
2. USE AUSGRID APPROVED MASTIC TO SEAL GAPS AROUND CABLES.
3. MASTIC, CABLE COATING AND CABLE PILLOWS ARE TO BE INSTALLED IN ACCORDANCE WITH THE MANUFACTURERS INSTRUCTIONS.
4. NOTE CABLE MORTAR IS PREFERRED FOR HV CABLES. USE PILLOW IN WET AREAS WHERE CABLES ARE FREQUENTLY CHANGED OR IN OTHER AREAS WHERE THE USE OF MORTAR IS NOT APPROPRIATE.

LIMITATIONS OF USE:

- i. DO NOT USE ON CONDUIT PENETRATIONS GREATER THAN $\varnothing 250\text{mm}$ OR OVERLOADED PENETRATIONS (CABLE AREA MORE THAN 60% OF PENETRATION)

CAD DRAWING DO NOT MANUALLY AMEND	
AMENDMENTS	
1. DETAIL AMENDED RHI 30.09.02	
2. DETAIL AMENDED JA 07.01.04	
3. "OMIT ON SECONDARY CABLES" NOTE ADDED. JA 30.01.06	
4. NEW AUSGRID BORDER & LOGO ADDED R.LAALAA 16.10.13 APPROVED T.L	



SCALE	1:10
DESIGNED	
DRAWN	CJS
CHECKED	JW
APPROVED	
DATE	18/07/2002

**PILLOW SEAL
FOR CABLES IN FLOORS OR
WALLS**

PROJECT No.	ES 102-9-1
PRJTRK No.	
Sheet	1
A4	128120 4