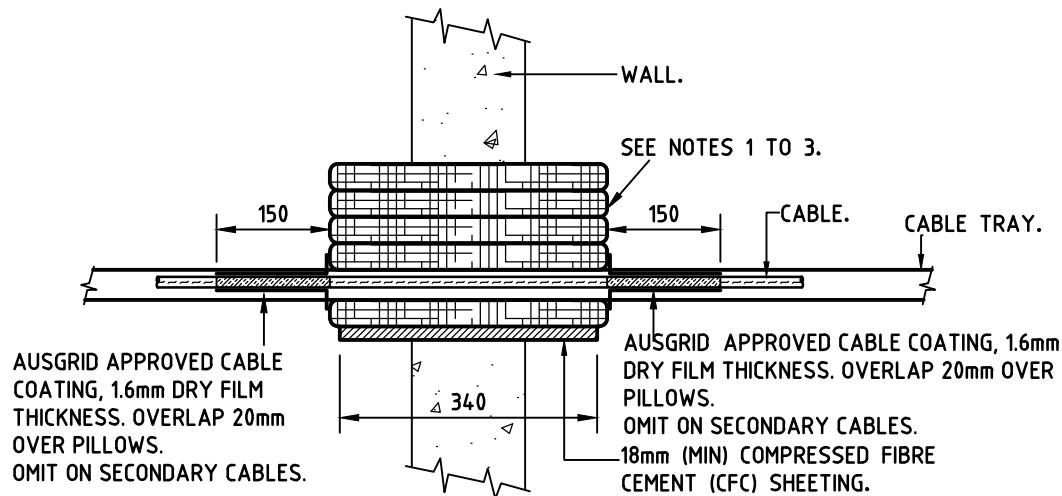
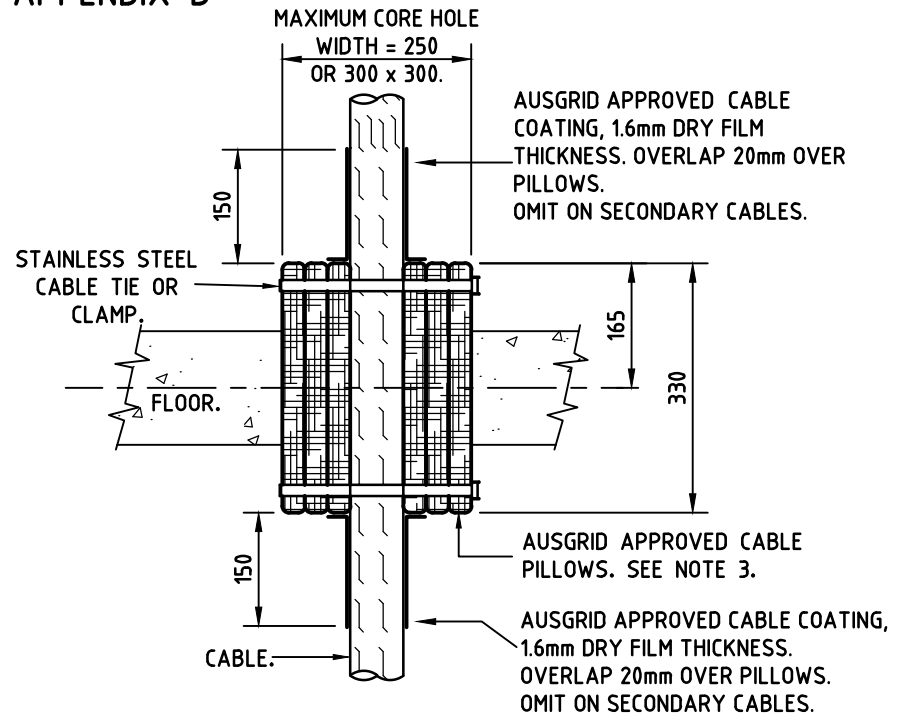


NS 171 DETAIL - APPENDIX B



WALL PENETRATION



FLOOR PENETRATION

NOTES:

1. MASTIC, CABLE COATING AND CABLE PILLOWS ARE TO BE INSTALLED IN ACCORDANCE WITH THE MANUFACTURERS INSTRUCTIONS. CABLE PILLOWS MUST, WHEREVER POSSIBLE, BE LAID FLAT AND ALL JOINTS MUST BE STAGGERED.
2. USE AUSGRID APPROVED MASTIC TO SEAL GAPS AROUND CABLES.
3. NOTE CABLE MORTAR IS PREFERRED FOR HV CABLES. USE PILLOW IN WET AREAS OR WHERE CABLES ARE FREQUENTLY CHANGED OR IN OTHER AREAS WHERE THE USE OF MORTAR IS NOT APPROPRIATE.

LIMITATIONS OF USE:

- i. DO NOT USE ON PENETRATIONS GREATER THAN $\varnothing 250$ OR OVERLOADED PENETRATIONS (CABLE AREA MORE THAN 60% OF PENETRATION).

CAD DRAWING DO NOT MANUALLY AMEND AMENDMENTS
1. DETAILS REVISED. JA 07.01.04
2. "OMIT ON SECONDARY CABLES" NOTE ADDED. JA 30.01.06
3. NEW AUSGRID BORDER & LOGO ADDED. R.LAALAA 16.10.2013 APPROVED T.LAMPARD



SCALE	1:10
DESIGNED	
DRAWN	CJS
CHECKED	JW
APPROVED	M-DESIGN JW
DATE	18/07/2002

PILLOW SEAL
FOR CABLES AND CABLE
TRAYS IN FLOORS AND WALLS.

PROJECT No.	ES 102-9-1
PRJTRK No.	
Sheet	1
A4	128121 3