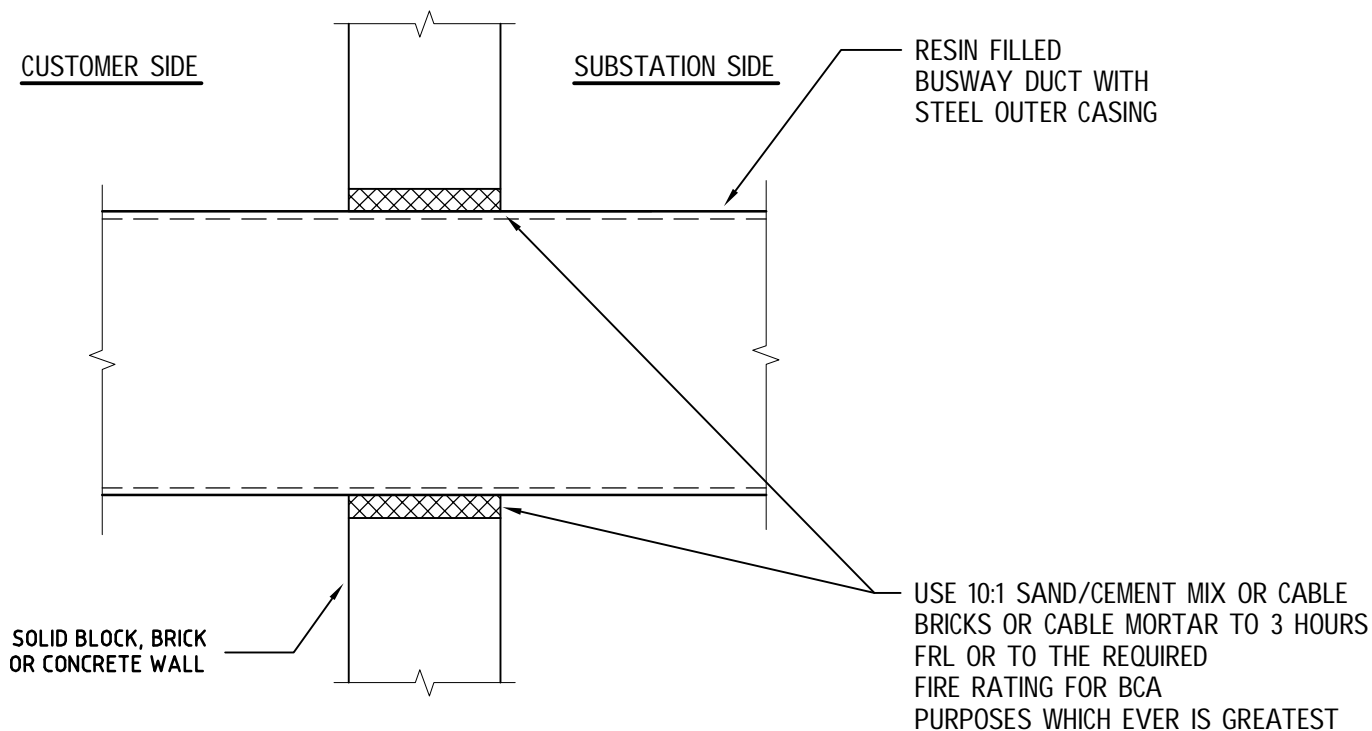


NS 171 DETAIL - APPENDIX B



**TYPICAL SECTION THROUGH RESIN FILLED
BUSWAY DUCT WALL PENETRATION**

SCALE 1:10

CONSTRUCTION ISSUE

CAD DRAWING
DO NOT MANUALLY AMEND
AMENDMENTS
0 INITIAL ISSUE



SCALE	AS SHOWN
DESIGNED	JEREMY WOODBRIDGE
DRAWN	JOSEPH ABDILLA
CHECKED	JEREMY WOODBRIDGE
APPROVED	KATINA GALLEN
DATE	22-11-13

**STEEL BUSWAY DUCT
PENETRATION SEAL**

TRIM REF	
PROJECT No.	OPEX-99999-1-55-21
Sheet	1
A4	232355 0