

A

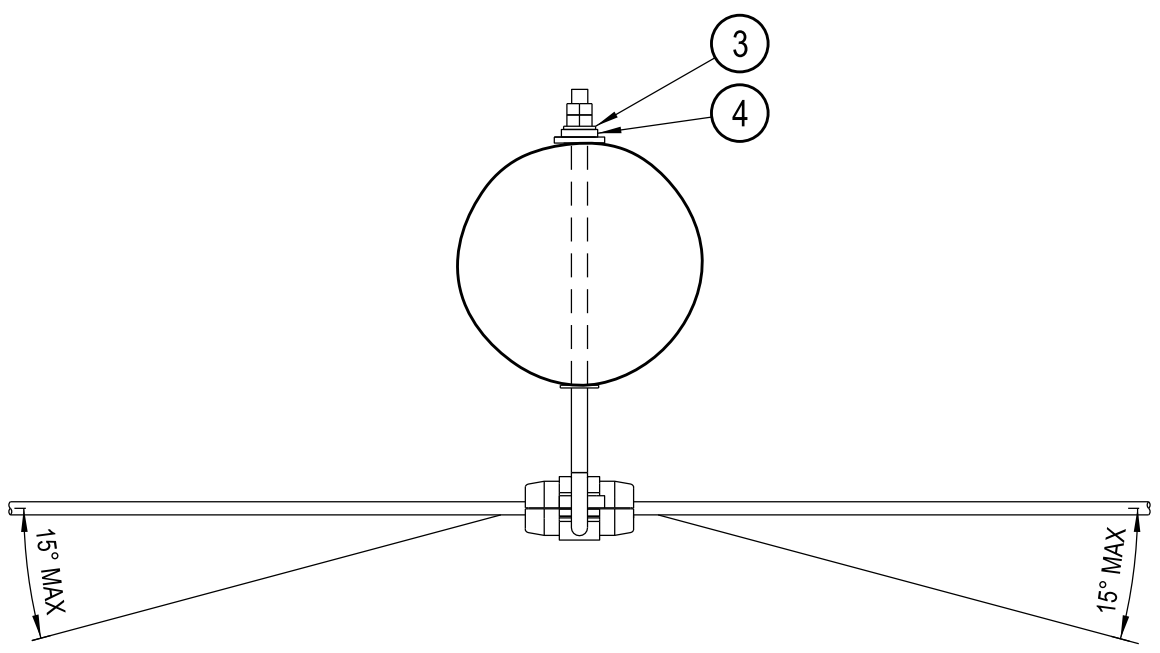
B

C

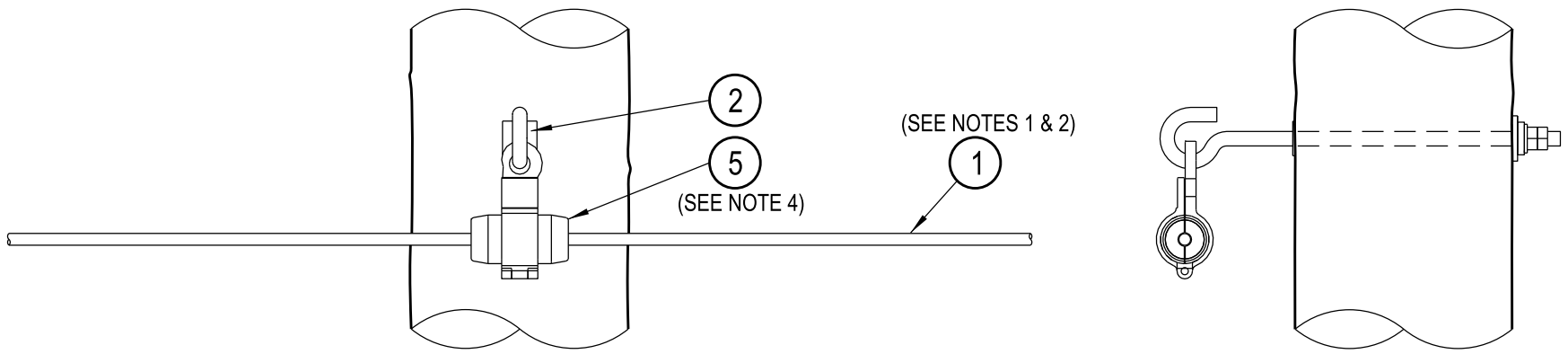
D

E

F



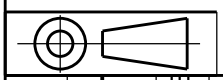
TOTAL LINE DEVIATION LESS THAN OR EQUAL TO 30°.



NOTES :

1. USE 150m MAXIMUM SPAN LENGTH ADSS CABLE WITH THIS CONSTRUCTION.
2. 72 OR 144 CORE STANDARD ADSS OPTICAL FIBRE CABLE IS TO BE USED UNDER NORMAL OPERATING CONDITIONS.
72 OR 144 CORE ANTI-TRACKING ADSS OPTICAL FIBRE CABLE IS TO BE USED WITH SECONDARY SYSTEMS APPROVAL IN HIGH POLLUTION ENVIRONMENTS & IN LOCATIONS WHERE A HIGH ELECTRIC FIELD EXISTS.
3. THE MAXIMUM LINE DEVIATION ANGLE TO BE CONSTRUCTED ON THIS ARRANGEMENT IS 30°.
4. FIBERLIGN DIELECTRIC SUSPENSION CLAMP OFDSC-120125-3 IS TO BE USED ON THE 72 CORE STANDARD ADSS OPTICAL FIBRE 150m MAXIMUM SPAN LENGTH CABLE.
FIBERLIGN DIELECTRIC SUSPENSION CLAMP OFDSC-130135-1 IS TO BE USED ON THE 72 CORE ANTI-TRACKING ADSS OPTICAL FIBRE 150m MAXIMUM SPAN LENGTH CABLE.
FIBERLIGN DIELECTRIC SUSPENSION CLAMP OFDSC-190195 IS TO BE USED ON THE 144 CORE STANDARD ADSS OPTICAL FIBRE 150m MAXIMUM SPAN LENGTH CABLE.
FIBERLIGN DIELECTRIC SUSPENSION CLAMP OFDSC-140145-3 IS TO BE USED ON THE 144 CORE ANTI-TRACKING ADSS OPTICAL FIBRE 150m MAXIMUM SPAN LENGTH CABLE.
5. POLES SHALL BE DRILLED, SCARFED AND DRESSED ON SITE. DRILLING AND SCARFING TO BE TREATED WITH APPROVED PRESERVATIVES.
6. ALL BOLTS PASSING THROUGH TIMBER ARE TO BE COATED WITH GRAPHITE GREASE.

5	CLAMP - SUSPENSION, FIBERLIGN DIELECTRIC (PLP PART No. OFDSC-140145-3) (SEE NOTE 4)	1	
	CLAMP - SUSPENSION, FIBERLIGN DIELECTRIC (PLP PART No. OFDSC-190195) (SEE NOTE 4)		
	CLAMP - SUSPENSION, FIBERLIGN DIELECTRIC (PLP PART No. OFDSC-130135-1) (SEE NOTE 4)		
	CLAMP - SUSPENSION, FIBERLIGN DIELECTRIC (PLP PART No. OFDSC-120125-3) (SEE NOTE 4)		
4	WASHER - CONICAL, M16, GALVANISED	518082	1
3	WASHER - FLAT, M16, GALVANISED	518081	1
2	BOLT - M16, SAFETY HOOK (PLP PART No. GSHB-16*) (* LENGTH TO SUIT POLE)		1
1	CABLE - OPTICAL FIBRE, 144 CORE, ADSS, ANTI-TRACKING, 150m (SEE NOTES 1 & 2)	A/R	
	CABLE - OPTICAL FIBRE, 144 CORE, ADSS, STANDARD, 150m (SEE NOTES 1 & 2)		
	CABLE - OPTICAL FIBRE, 72 CORE, ADSS, ANTI-TRACKING, 150m (SEE NOTES 1 & 2)		
	CABLE - OPTICAL FIBRE, 72 CORE, ADSS, STANDARD, 150m (SEE NOTES 1 & 2)		
ITEM	DESCRIPTION	DRG. No.	QTY



CAD DRAWING
DO NOT MANUALLY AMEND
A M E N D M E N T S
DWN: PATRICIA RIOS
CHKD: ALFRED FREESTONE
DATE: 02/04/2019
NOTES & MATERIAL LIST AMENDED.
APP'D by: GLENN FORD

NETWORK STANDARD
Ausgrid
145 NEWCASTLE RD WALLSEND,
NSW 2287

SCALE	1:7.5	STANDARD CONSTRUCTION			
DESIGNED	PHILLIP JONES	ADSS FIBRE OPTIC CABLE			
DRAWN	GARY HUGHES	TIMBER POLE - ADSS SUSPENSION CONSTRUCTION			
CHECKED	ALFRED FREESTONE	30 DEG MAXIMUM LINE DEVIATION WITH			
APPROVED	GLENN FORD	SPAN LENGTHS UP TO 150m			
DATE	12/11/14	SIZE	DRAWING No	SHEET	AMD
PROJECT NUMBER	STD	A3	234569	01	1
PROJTRAK NUMBER	-				