

A

B

C

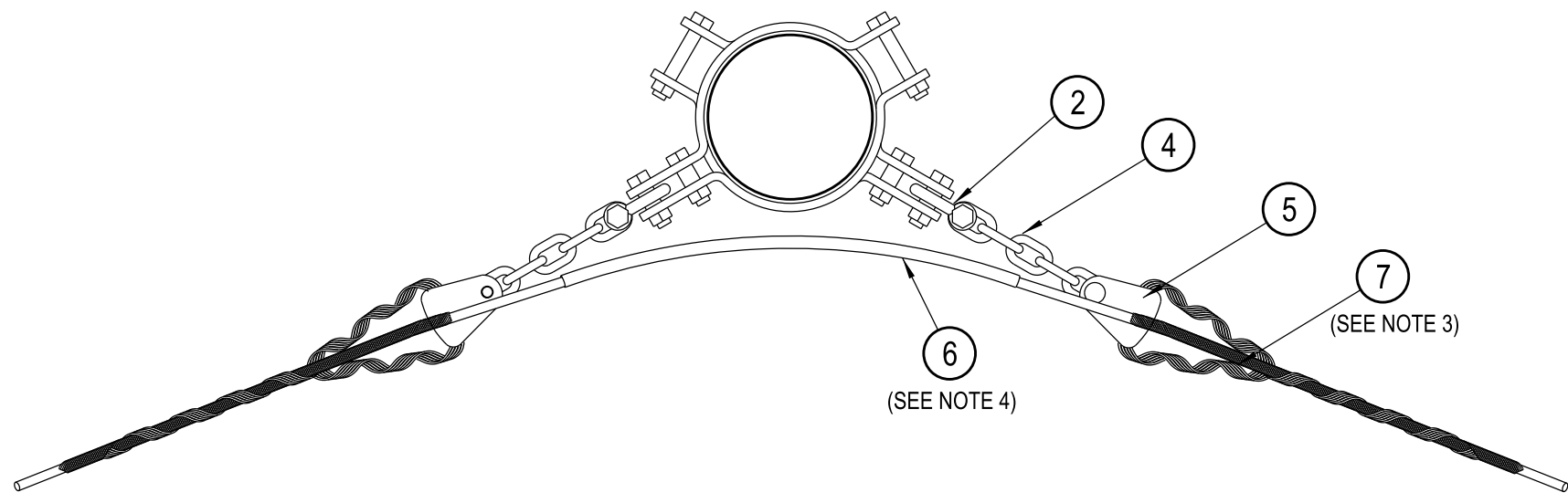
D

E

F

NOTES :

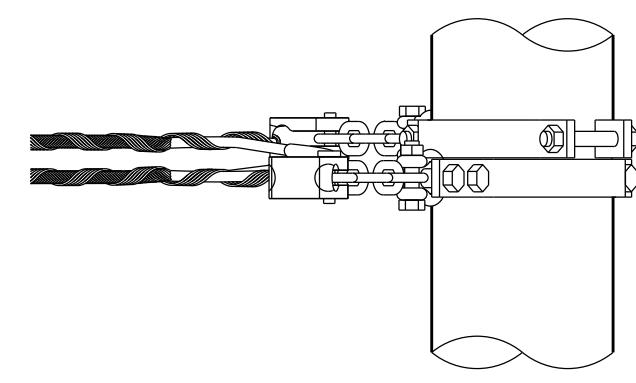
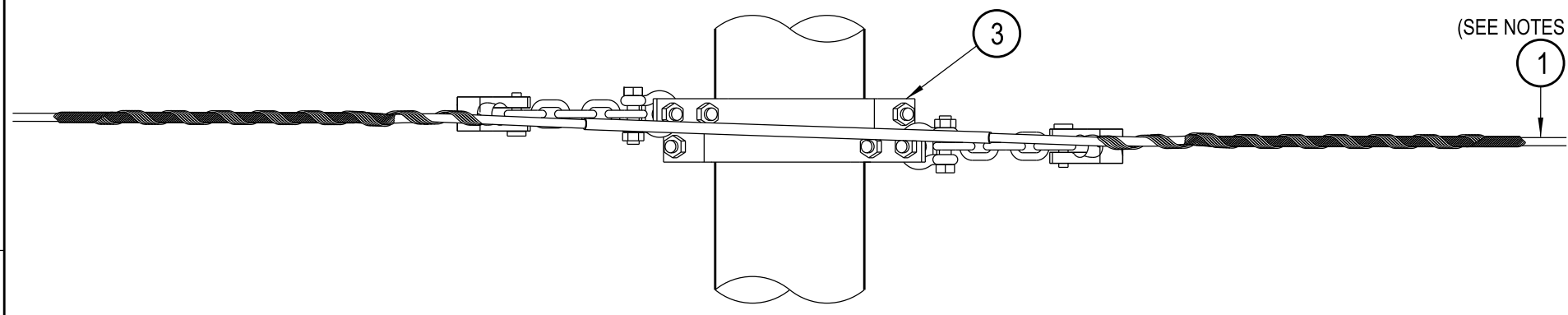
1. USE 150m MAXIMUM SPAN LENGTH ADSS CABLE WITH THIS CONSTRUCTION.
2. 72 OR 144 CORE STANDARD ADSS OPTICAL FIBRE CABLE IS TO BE USED UNDER NORMAL OPERATING CONDITIONS.
72 OR 144 CORE ANTI-TRACKING ADSS OPTICAL FIBRE CABLE IS TO BE USED WITH SECONDARY SYSTEMS APPROVAL IN HIGH POLLUTION ENVIRONMENTS & IN LOCATIONS WHERE A HIGH ELECTRIC FIELD EXISTS.
3. FIBERLIGN DIELECTRIC DEADEND ADSSTS-124-SG IS TO BE USED ON THE 72 CORE STANDARD ADSS OPTICAL FIBRE 150m MAXIMUM SPAN LENGTH CABLE.
FIBERLIGN DIELECTRIC DEADEND ADSSTS-130-SG IS TO BE USED ON THE 72 CORE ANTI-TRACKING ADSS OPTICAL FIBRE 150m MAXIMUM SPAN LENGTH CABLE.
FIBERLIGN DIELECTRIC DEADEND ADSSTS-190-SG IS TO BE USED ON THE 144 CORE STANDARD ADSS OPTICAL FIBRE 150m MAXIMUM SPAN LENGTH CABLE.
FIBERLIGN DIELECTRIC DEADEND ADSSTS-138-SG IS TO BE USED ON THE 144 CORE ANTI-TRACKING ADSS OPTICAL FIBRE 150m MAXIMUM SPAN LENGTH CABLE
4. FIBERLIGN CABLE ABRASION PROTECTOR PTG-0201 IS TO BE USED ON THE 72 CORE STANDARD ADSS OPTICAL FIBRE 150m MAXIMUM SPAN LENGTH CABLE.
FIBERLIGN CABLE ABRASION PROTECTOR PTG-0203 IS TO BE USED ON THE 72 CORE ANTI-TRACKING, 144 CORE STANDARD & 144 CORE ANTI-TRACKING ADSS OPTICAL FIBRE 150m MAXIMUM SPAN LENGTH CABLES.



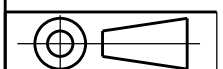
(SEE NOTE 4)

(SEE NOTE 3)

(SEE NOTES 1 & 2)



7	DEADEND - ADSS, FIBERLIGN DIELECTRIC (PLP PART No. ADSSTS-124-SG) (SEE NOTE 3)	2	
	DEADEND - ADSS, FIBERLIGN DIELECTRIC (PLP PART No. ADSSTS-130-SG) (SEE NOTE 3)		
	DEADEND - ADSS, FIBERLIGN DIELECTRIC (PLP PART No. ADSSTS-138-SG) (SEE NOTE 3)		
	DEADEND - ADSS, FIBERLIGN DIELECTRIC (PLP PART No. ADSSTS-190-SG) (SEE NOTE 3)		
6	PROTECTOR - CABLE, ABRASION, FIBERLIGN (PLP PART No. PTG-0201) (SEE NOTE 4)	1	
	PROTECTOR - CABLE, ABRASION, FIBERLIGN (PLP PART No. PTG-0203) (SEE NOTE 4)		
5	THIMBLE - CLEVIS, 70kN (PLP PART No. ACT-27-16)	2	
4	LINKS - ADSS EXTENSION (PLP PART No. GCL-010L-392)	2	
3	BAND - POLE, 3 BOLT (TO SUIT POLE)	507741	2
2	SHACKLE - BOW, 70kN, REF.70/S, A.S.1154.2 (S/C: 30890)	2	
1	CABLE - OPTICAL FIBRE, 144 CORE, ADSS, ANTI-TRACKING, 150m (SEE NOTES 1 & 2)	A/R	
	CABLE - OPTICAL FIBRE, 144 CORE, ADSS, STANDARD, 150m (SEE NOTES 1 & 2)		
	CABLE - OPTICAL FIBRE, 72 CORE, ADSS, ANTI-TRACKING, 150m (SEE NOTES 1 & 2)		
	CABLE - OPTICAL FIBRE, 72 CORE, ADSS, STANDARD, 150m (SEE NOTES 1 & 2)		
ITEM	DESCRIPTION	DRG. No.	QTY



CAD DRAWING DO NOT MANUALLY AMEND A M E N D M E N T S	DWN: PATRICIA RIOS
	CHKD: ALFRED FREESTONE
DATE: 02/04/2019	NOTES & MATERIAL LIST AMENDED.
APP'D by: GLENN FORD	

NETWORK STANDARD

145 NEWCASTLE RD WALLSEND, NSW 2287

SCALE	1:10	STANDARD CONSTRUCTION ADSS FIBRE OPTIC CABLE RETROFIT ON CONCRETE POLE - ADSS THROUGH TERMINATION CONSTRUCTION SPAN LENGTHS UP TO 150m			
DESIGNED	PHILLIP JONES				
DRAWN	PATRICIA RIOS				
CHECKED	ALFRED FREESTONE				
APPROVED	GLENN FORD				
DATE	17/11/14				
PROJECT NUMBER	STD	SIZE	DRAWING No	SHEET	AMD
PROJTRAK NUMBER	-	A3	234585	01	1