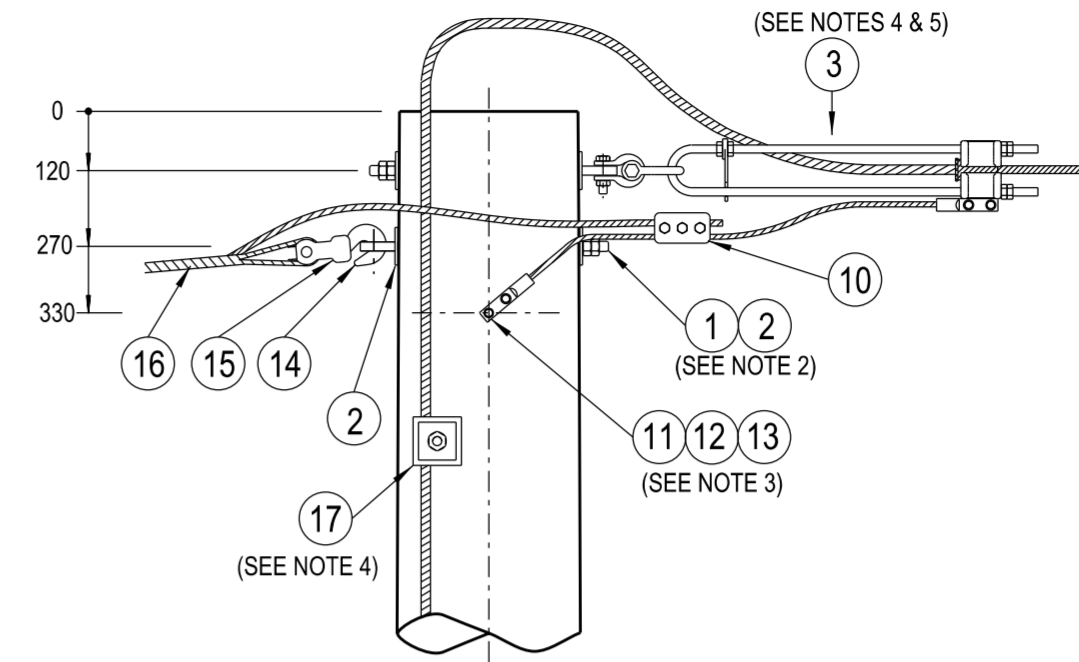
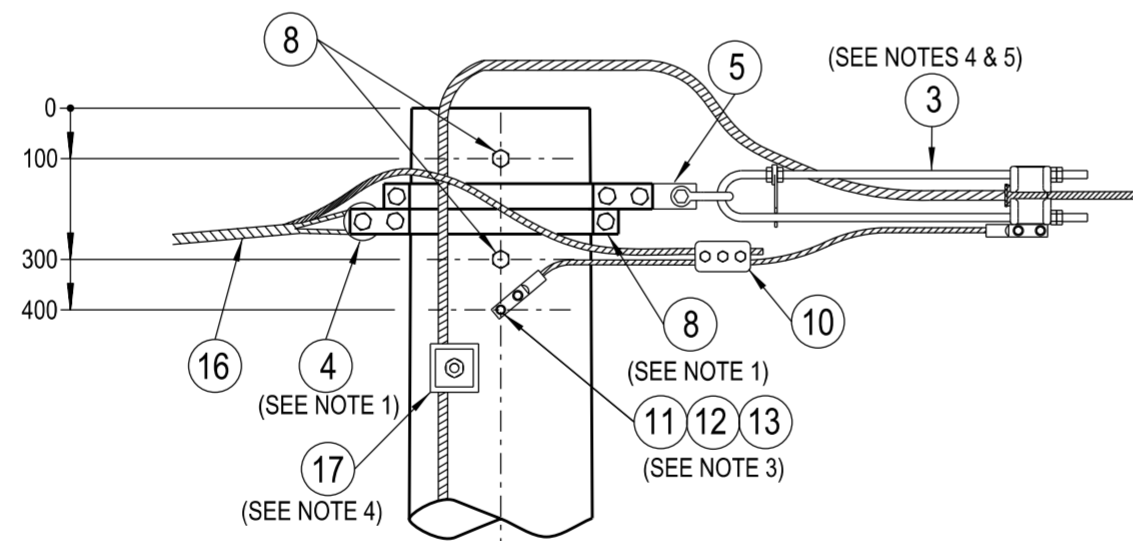


ARRANGEMENT 1 (TIMBER POLES)



ARRANGEMENT 3 (CONCRETE/STEEL POLES)
WITH EYE BOLTS

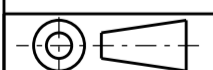


ARRANGEMENT 2 (CONCRETE/STEEL POLES)
WITH POLE BANDS

NOTES :

- POLE BANDS ON THROUGH TERMINATION ARE TO BE POSITIONED SO AS NOT TO FOUL THE 75mm THIMBLE.
- THE LOAD AND DEVIATION ALLOWABLE ON THE EYEBOLTS IS TO BE DETERMINED FROM DRG: 520324.
- EARTH BONDING LUG TO BE IN DIRECT CONTACT WITH EARTH FERRULE ON CONCRETE POLE. NO SPACING WASHERS PERMITTED.
- FIBERLIGN PARTS ARE AVAILABLE FROM PREFORMED LINE PRODUCTS (AUSTRALIA) PTY LTD.
- PARTS TO BE ORDERED TO SUIT SIZE AND LAY OF OPGW.
- THE EARTH DOWN LEAD CABLE IS TO BE SECURED TO THE POLE, AS REQUIRED, USING DOUBLE SIDED GALVANISED STEEL SADDLES.

ITEM	DESCRIPTION	DRG. No	STOCK CODE	ARR-1	ARR-2	ARR-3
				QTY		
18	SCREW - SELF DRILLING, #12x45mm, GALVANISED		175567	A/R		
17	CLAMP - DOWNLEAD CUSHION, FIBERLIGN (TO SUIT CONCRETE/STEEL POLE) (SEE NOTE 4)				A/R	A/R
	CLAMP - DOWNLEAD CUSHION, FIBERLIGN (TO SUIT TIMBER POLE) (SEE NOTE 4)			A/R		
16	DEADEND - PREFORMED (TO SUIT CONDUCTOR)	514098		1		1
15	THIMBLE - SOCKET, REF.70/STH A.S. 1154.2		H18166	1		1
14	HOOK - BALL, REF.70/BH A.S. 1154.2		H18530	1		1
13	WASHER - FLAT, M12, STAINLESS STEEL	518081	49429		1	1
12	WASHER - SPRING, M12, STAINLESS STEEL	518082	143859		1	1
11	SCREW - SET, M12x25mm, STAINLESS STEEL	515467	44693		1	1
10	CLAMP - PARALLEL GROOVE, 3 BOLT	514099	62406	2	1	1
9	BAND - POLE, 3 BOLT (TO SUIT POLE SIZE) (SEE NOTE 1)	507741			2	
8	BOLT & NUT - M20, HEX., GALVANISED (LENGTH TO SUIT POLE)	515466			2	
7	SADDLE - CABLE, 12.7mm, HEAVY DUTY, DOUBLE SIDED, GALVANISED (SEE NOTE 6)		176494	A/R		
6	CONDUCTOR - MERCURY, 7/4.5AAC		H13433	A/R		
5	PLATE - LINK, MARK 3, GALVANISED	22268	181891		1	
4	THIMBLE - ROUND, ϕ 75mm, M.C. IRON (SEE NOTE 1)	508741	H10443		1	
3	DEADEND - TERMINATION ASSEMBLY, FIBERLIGN (SEE NOTES 4 & 5)	566963		1	1	1
2	WASHER - SQUARE, 75x75x6mm, GALVANISED (ϕ 22mm HOLE)	518081	H39231	4		4
1	EYEBOLT - M20, GALVANISED (LENGTH TO SUIT POLE) (SEE NOTE 2)	513653		2		2



DIMENSIONS ARE IN MILLIMETRES UNLESS STATED OTHERWISE.

DO NOT SCALE

CAD DRAWING DO NOT MANUALLY AMEND AMENDMENTS	
DWN: P.R.	
CHKD: P.J.	
APP'D: G.F.	
DATE: 22/08/2024	
ITEM7 AMENDED IN MATERIAL LIST.	
3	

ASSOCIATED DRAWINGS	
20mm EYEBOLT LOADING & DEVIATION GRAPH	520324
OPGW CONDUCTOR SPLICE BOX & COILED CABLE BRACKET MTG	565743

NETWORK STANDARD

145 NEWCASTLE RD WALLSEND, NSW 2287

SCALE	1:15
DESIGNED	GLENN FORD
DRAWN	PATRICIA RIOS
CHECKED	MATTHEW KIEJDA
APPROVED	GLENN FORD
DATE	05/04/13
PROJECT NUMBER	STD
PROJTRAK NUMBER	-

STANDARD CONSTRUCTION	
OPGW CONDUCTOR TO OHEW	
TERMINATION	
MOUNTING ARRANGEMENT	
SIZE	DRAWING No
A2	230083
SHEET	AMD
1	3