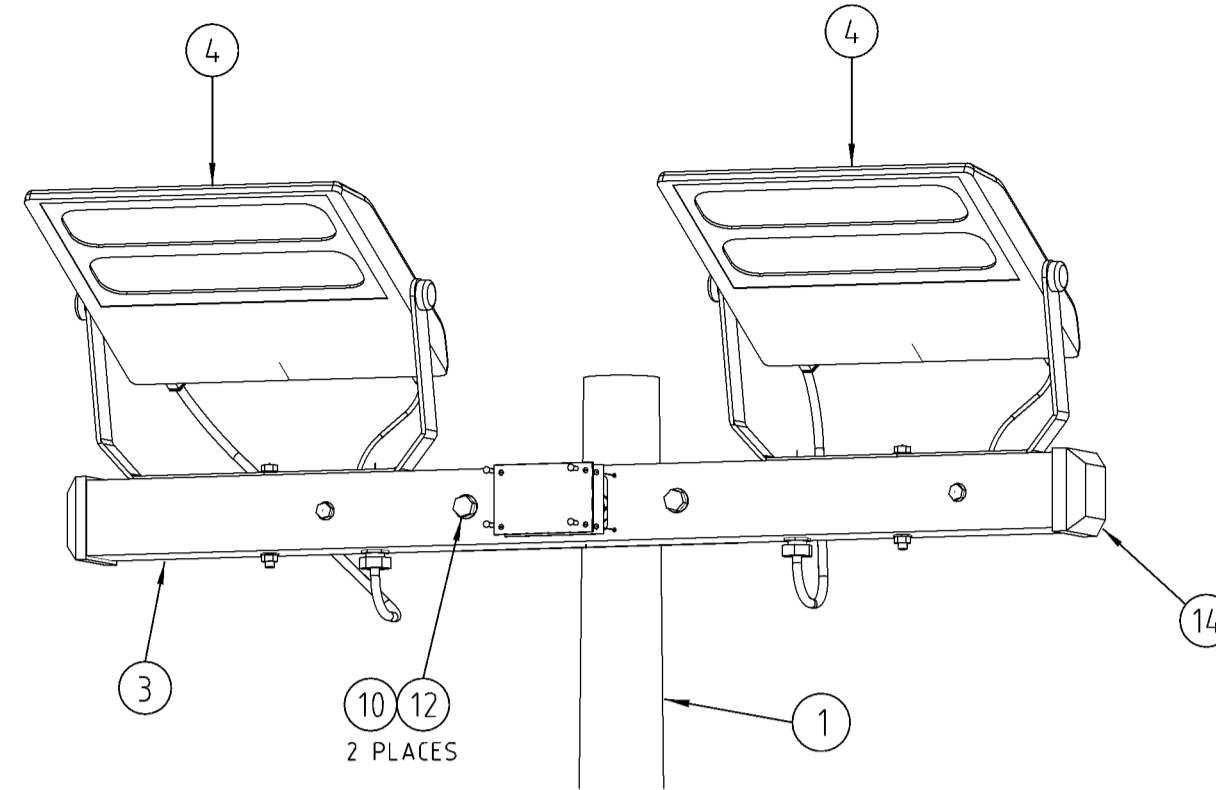
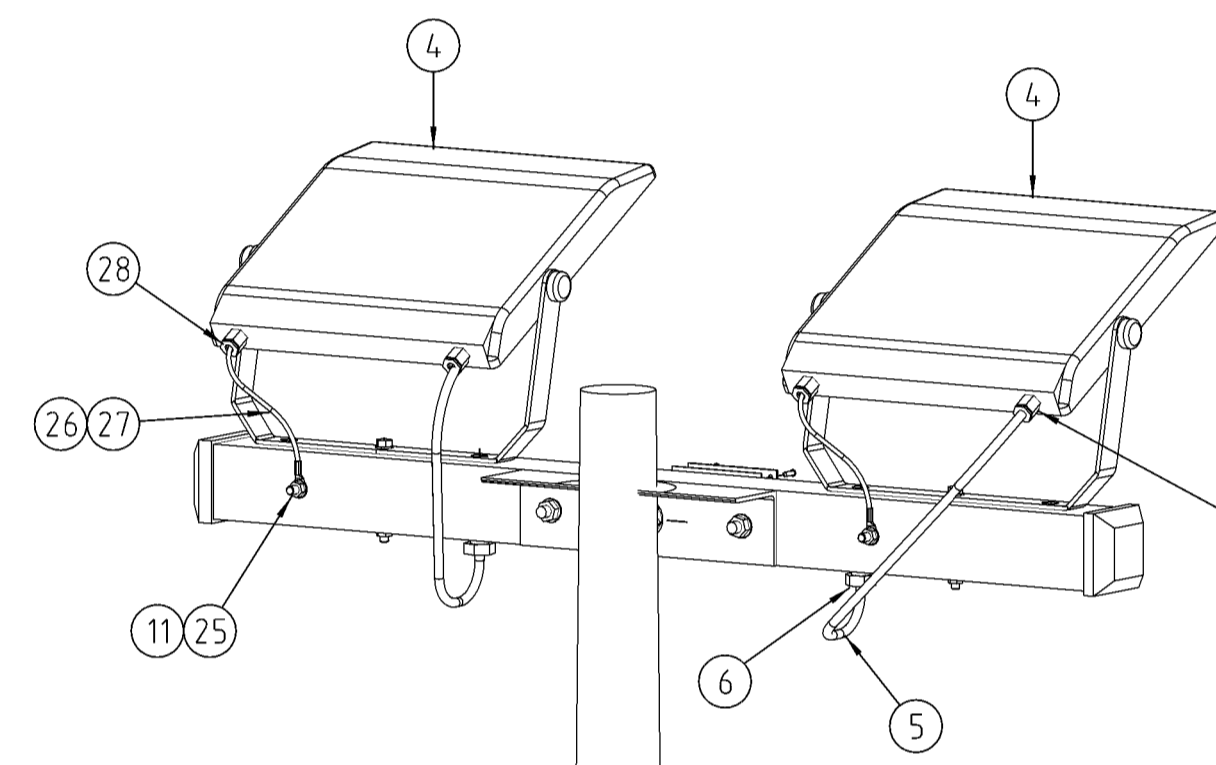


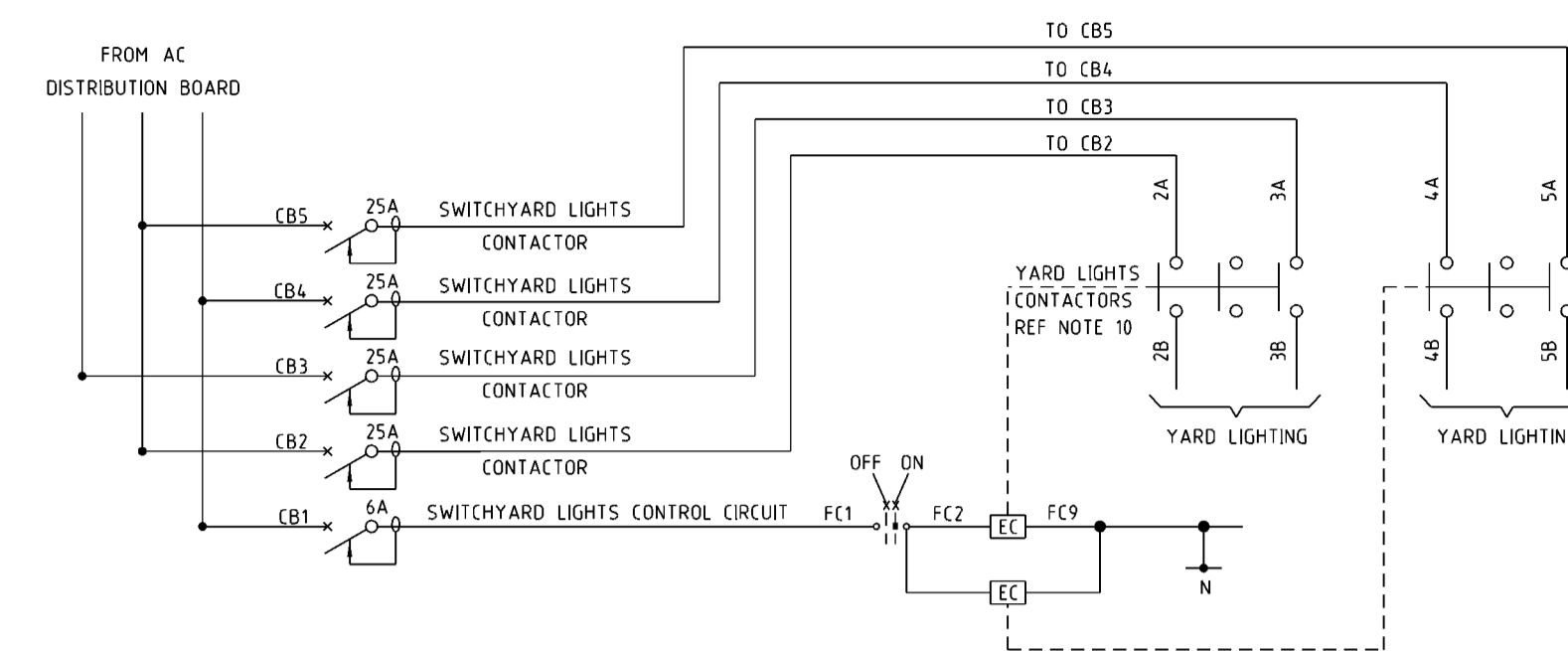
SUPPLY IN AND OUT
SCALE 1:2.5



LIGHTING ASSEMBLY FRONT



LIGHTING ASSEMBLY REAR



TYPICAL LIGHTING SINGLE LINE DIAGRAM

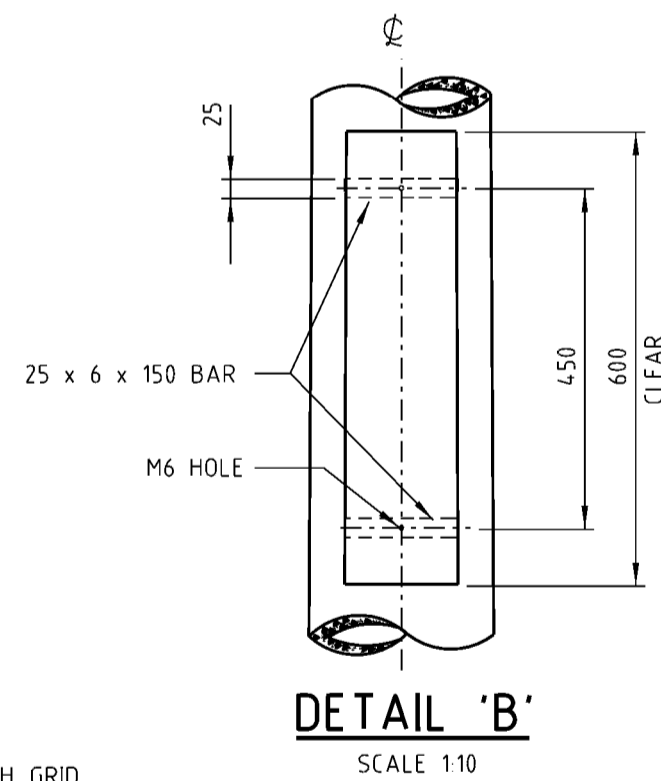
NOTE: GUIDANCE ONLY, APPLICABLE TO GREENFIELD DESIGNS. REFER TO SITE SPECIFIC DESIGN FOR ACTUAL REQUIREMENTS.

NOTES:

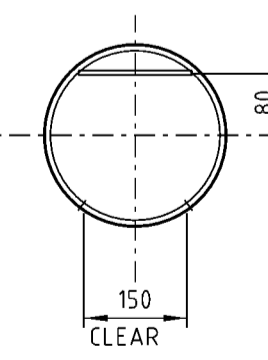
- POLES AND CROSSARMS TO BE PURCHASED FROM INGALE EPS.
- POLES ARE TO BE DELIVERED IN SECTIONS (DEPENDENT ON HEIGHT) AND ARE TO BE ASSEMBLED ON SITE.
- HEIGHT OF POLE INCLUDES POLE PLUS 1m LIGHTNING ROD, eg. 12M POLE + 1m ROD = 13m TOTAL.
- MAXIMUM OF 8 LIGHTS TO BE CONNECTED TO EACH 1 PHASE CIRCUIT. CIRCUIT ALLOCATIONS TO BE ACCORDING TO SITE SPECIFIC DESIGN. RETROFIT APPLICATIONS, INCLUDING MIXED LUMINAIRE TYPES, TO BE REFERRED TO LAYOUT DESIGN.
- LIGHT FITTINGS & CONDUITS MUST BE ALL METAL TO SHIELD ELECTRICAL CABLES.
- 2 CORE INCOMING CABLE SIZE TO SUIT SITE REQUIREMENTS. MAINTAIN NEUTRAL SEPARATION BETWEEN INCOMING CIRCUITS. THERE CAN BE NO EARTH CONNECTION FROM SUPPLY CABLES TO LIGHTS. DOING SO CAN RESULT IN DANGEROUS VOLTAGES AT THE AC DISTRIBUTION BOARD DURING LIGHTNING STORMS.
- MINIMISE STRIPBACK OF CABLE SHEATH & ENSURE THAT SINGLE INSULATED CORES ARE KEPT AT LEAST 25mm (AIRGAP) FROM SPIRE METALWORK.
- SPIRE DRAWING IS SUBJECT TO MANUFACTURER COPYRIGHT. REFER TO CATALOGUE NUMBER (ISTOCKCODE) FOR DETAILS. CONFIRM ITEM CORRESPONDS TO THE DRAWING AND REVISION DESCRIBED PRIOR TO ORDERING.
- PHILLIPS BVP382150W s/c 186189 ARE FOR USE IN NON MARINE ENVIRONMENTS. ALTERNATE LUMINAIRES MAY BE SPECIFIED IN CORROSIVE ENVIRONMENTS & THE FOLLOWING MAY NOT APPLY.
REMOVE STREET LIGHT PE CELL & CABLE TO PE CELL TERMINAL BLOCK.
CONNECT BROWN WIRE AS "BRIDGE/JUMPER" ACROSS THE BALLAST TO PE CELL CONNECTION. REUSE PE CELL IP66 GLAND OR INSTALL NG16 & ROUTE 6mm² EARTH BOND FROM TERMINAL STUD TO CROSSARM TO ENSURE FLOOD LIGHT HOUSING IS EFFECTIVELY EARTHED. REMOVE A-N-E CABLE FROM LIGHT BALLAST BLOCK & INSTALL IP66 GLAND TO FACILITATE 2C-E 2.5mm² CABLE TERMINATION.
- TILT & AIMING TO BE AS SPECIFIED ON SITE SPECIFIC DESIGN. DEFAULT TILT IS 30 DEGREES.
- TO MANAGE LED FLOOD LIGHT INRUSH CURRENT & SWITCH OFF TRANSIENTS BROUGHT ABOUT BY SWITCH MODE BALLAST CAPACITOR SWITCHING, YARD FLOODLIGHT CONTROL CONTACTORS SHALL BE SCHNEIDER AC6B 32A TSYS LC10MKU7 WITH INTEGRAL SWITCHED RESISTOR STEP.
- ADDITIONAL TERMINALS MAY BE REQUIRED WHERE TWO OR MORE CABLES ARE REQUIRED TO EXIT.

CONSTRUCTION ISSUE

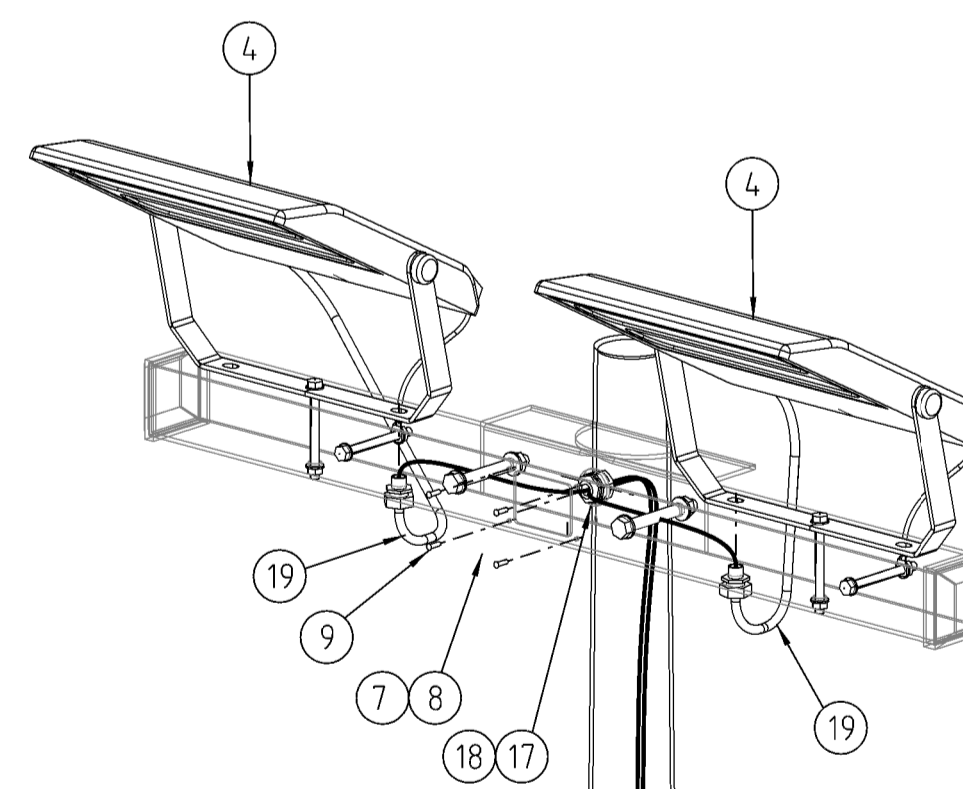
ITEM	DESCRIPTION	DRAWING	STOCK CODE	QTY
28	CABLE GLAND - SUREFIT NG-16			AS REQ.
27	XLP HEATSHRINK - CABAC XLP5			2
26	6mm ² Cu EARTH CONDUCTOR (LENGTH TO SUIT) c/w RT5.5-120G & RT5.5-40G RING TERMINALS			2
25	WASHER, FLAT M12 GALV	518081-1	177982	AS REQ.
24	END BRACKET - WEIDMULLER KLIPPON WEP 35/2			2
23	TERMINAL TS35 DIN RAIL MOUNTED WEIDMULLER KLIPPON WDU10			6
22	TS35 DIN RAIL EARTH TERMINAL - WEIDMULLER KLIPPON WPE 2.5			2
21	32A F/HOLDER, WHITE WITH LINK SAFELINK SC32HWH			2
20	TERMINAL LINK WEIDMULLER KLIPPON WQV10			AS REQ.
19	2.5mm ² 2 CORE & E ORANGE CIRCULAR PVC/PVC 0.6/1kV (LENGTH TO SUIT)			AS REQ.
18	32mm THREADED BUSH GREY (FEMALE) - CLIPSAL 281F32			1
17	32mm CONDUIT BUSH GREY (MALE) - CLIPSAL 281/32			1
16	TERMINAL PARTITION - WEIDMULLER KLIPPON WTW EN			3
15	WASHER, FLAT M6 GALV			AS REQ.
14	END CAP TO SUIT 100mm ² SHS GAL. STEEL CROSSARM			2
13	TS35 X 7.5 DEEP SLOTTED STEEL DIN RAIL, 500mm LONG			1
12	WASHER, FLAT M16 GALV	518081-1	177984	AS REQ.
11	BOLT, M12 x 130LG c/w HEX NUT, GALV	515466-1	46805	2
10	BOLT, M16 x 130LG c/w HEX NUT, GALV	515466-1	46979	2
9	SET SCREW, M6 x 16LG c/w HEX NUT GALV			2
8	COVER PLATE, STEEL 14.0 x 92 x 4mm	163028-1		1
7	GASKET, CORK 14.0 x 92	163028-1		1
6	GLAND, M20 S/S TO SUIT STEEL FLEXIBLE CONDUIT			4
5	CONDUIT, PVC SHEATHED STEEL FLEXIBLE Ø20 TO AS2053.1 & AS2053.8			AS REQ.
4	FLOODLIGHTS, PHILLIPS BVP382 150W ASYMMETRIC 165LED14.0	824.1 101 39201	186189	2
3	CROSSARM, 100 x 4 SHS x 1400mm LONG	163028-2		1
	CONCRETE FOOTING DETAIL, 7m & 12m LIGHTNING MAST	162812-1		1
2	CONCRETE FOOTING DETAIL, 15m, 18m & 20m LIGHTNING MAST	162293-1		1
	ALTERNATE PAD CONCRETE FOOTING, 7-20m LIGHTNING MAST (SUBS LIVE YARD)	215497-1		1
1	POLE, 20m STEEL FLANGE MOUNTED, TAPERED ROUND LIGHTNING MAST INGAL EPS DWG No's GA2742 REV A REFER NOTE 7	232267-1	YEA20FCA14	1
	POLE, 18m STEEL FLANGE MOUNTED, TAPERED ROUND LIGHTNING MAST INGAL EPS DWG No's GA2743 REV REFER NOTE 7	232266-1	YEA18FCA14	1
	POLE, 15m STEEL FLANGE MOUNTED, TAPERED ROUND LIGHTNING MAST INGAL EPS DWG No's GA2744 REV B REFER NOTE 7	232265-1	YEA15FCA14	1
	POLE, 12m STEEL FLANGE MOUNTED, TAPERED ROUND LIGHTNING MAST INGAL EPS DWG No's GA2744 REV B REFER NOTE 7	232263-1	YEA12FCA14	1
	POLE, 7m STEEL FLANGE MOUNTED, TAPERED ROUND LIGHTNING MAST INGAL EPS DWG No's GA2747 REV B REFER NOTE 7	232262-1	YEA7FCA14	1



DETAIL 'B'
SCALE 1:10



SECTION A
SCALE 1:10



CABLING ASSEMBLY

LIGHTING/LIGHTNING POLE ARRANGEMENT

7m POLE SHOWN
SCALE 1:20

CAD DRAWING DO NOT MANUALLY AMEND A. M. E. N. T. S.	DWN BARRY BONNING
CHKD RAY DEAL	APP'D RAY DEAL
DATE: 23/11/2017	DATE: 23/11/2017
PAV FOOTING (ITEM 2) ADDED	
9	
CHKD RAY DEAL	APP'D RAY DEAL
CHKD BRETT ROBERTS	APP'D BRETT ROBERTS
DATE: 19/12/2018	DATE: 19/12/2018
SUPPLY IN & OUT DETAIL (SUBS LIVES) & 8 REVISION NOTES & 8 ALTERED. NOTE 8 ADDED BOM REVISED.	
10	
CHKD TRICHAS PHILLIPS	APP'D TRICHAS PHILLIPS
DATE: 04/05/2019	DATE: 04/05/2019
GENERAL UPDATE	
11	
DWN R.D.	APP'D R.D.
CHKD T.P.	APP'D T.P.
DATE: 23/07/2024	DATE: 23/07/2024
DRAWING UPDATED TO SHOW LED TYPE LIGHTS NOTES 8 TO 11 ADDED SUPERSEDES 16203-2	
12	

ALTERNATE PAD CONCRETE FOOTING DETAILS	215497-1
CONCRETE FOOTING, 7m & 12m LIGHTNING MAST	162812-1
CONCRETE FOOTING, 15m, 18m & 20m LIGHTNING MAST	162293-1
EARTHING DETAILS, STEEL FLANGE MOUNTED LIGHTNING MAST	162611-1
CROSSARM DETAILS	163028-2
FLOODLIGHTING - 4 LIGHT ASSEMBLY	169818-1

ASSOCIATED DRAWINGS

Ausgrid
145 NEWCASTLE RD WALLSEND,
NSW 2287

SCALE	AS SHOWN
DESIGNED	B.ROBERTS
DRAWN	R.DEAL
CHECKED	B.ROBERTS
APPROVED	R.HUGHES
DATE	11/05/2022
PROJECT NUMBER	STD
PROJTRAK NUMBER	

STANDARD CONSTRUCTION LIGHTNING SPIRE AND FLOODLIGHTING - LED TYPE 2 LIGHT ASSEMBLY GENERAL ARRANGEMENT	SIZE	DRAWING No	SHEET	AMD
	A1	162013	1	12