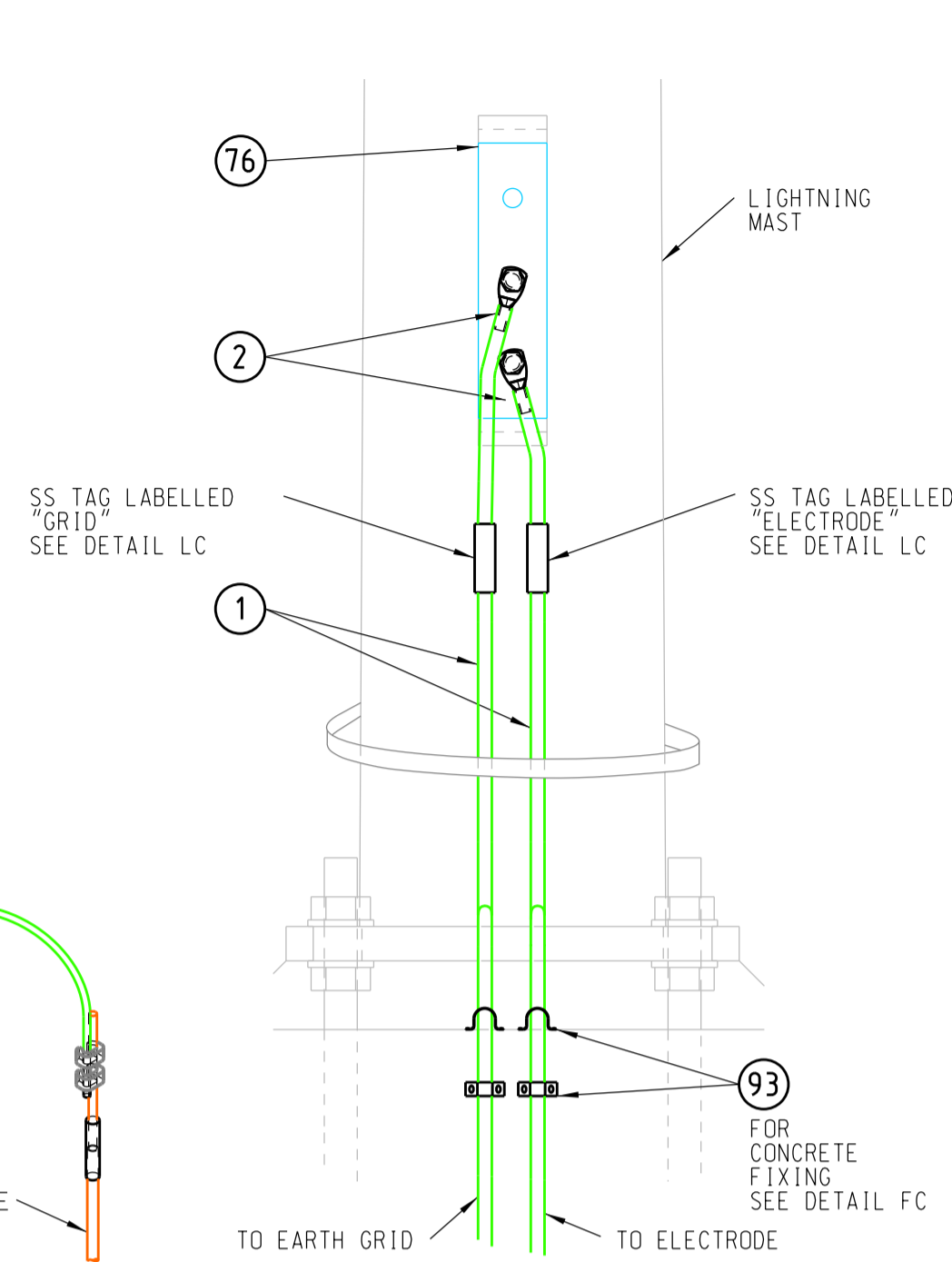
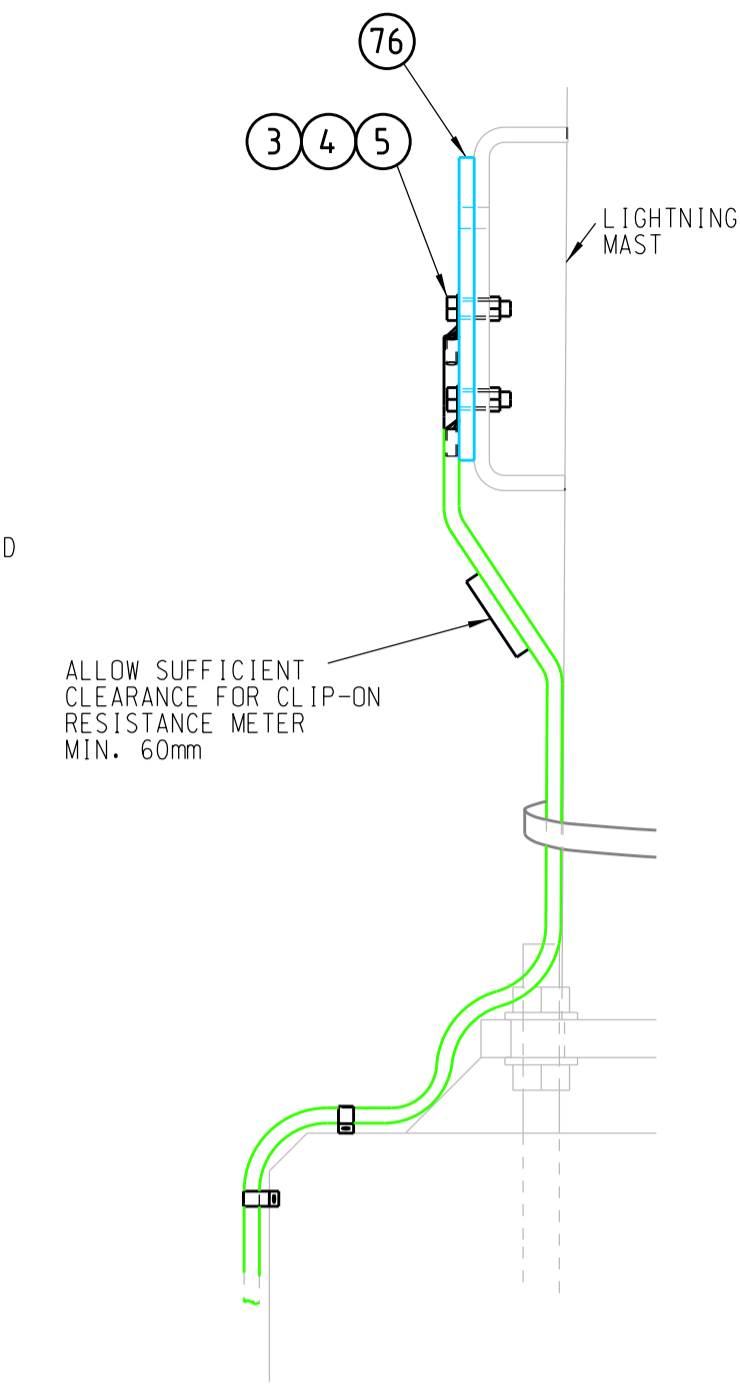


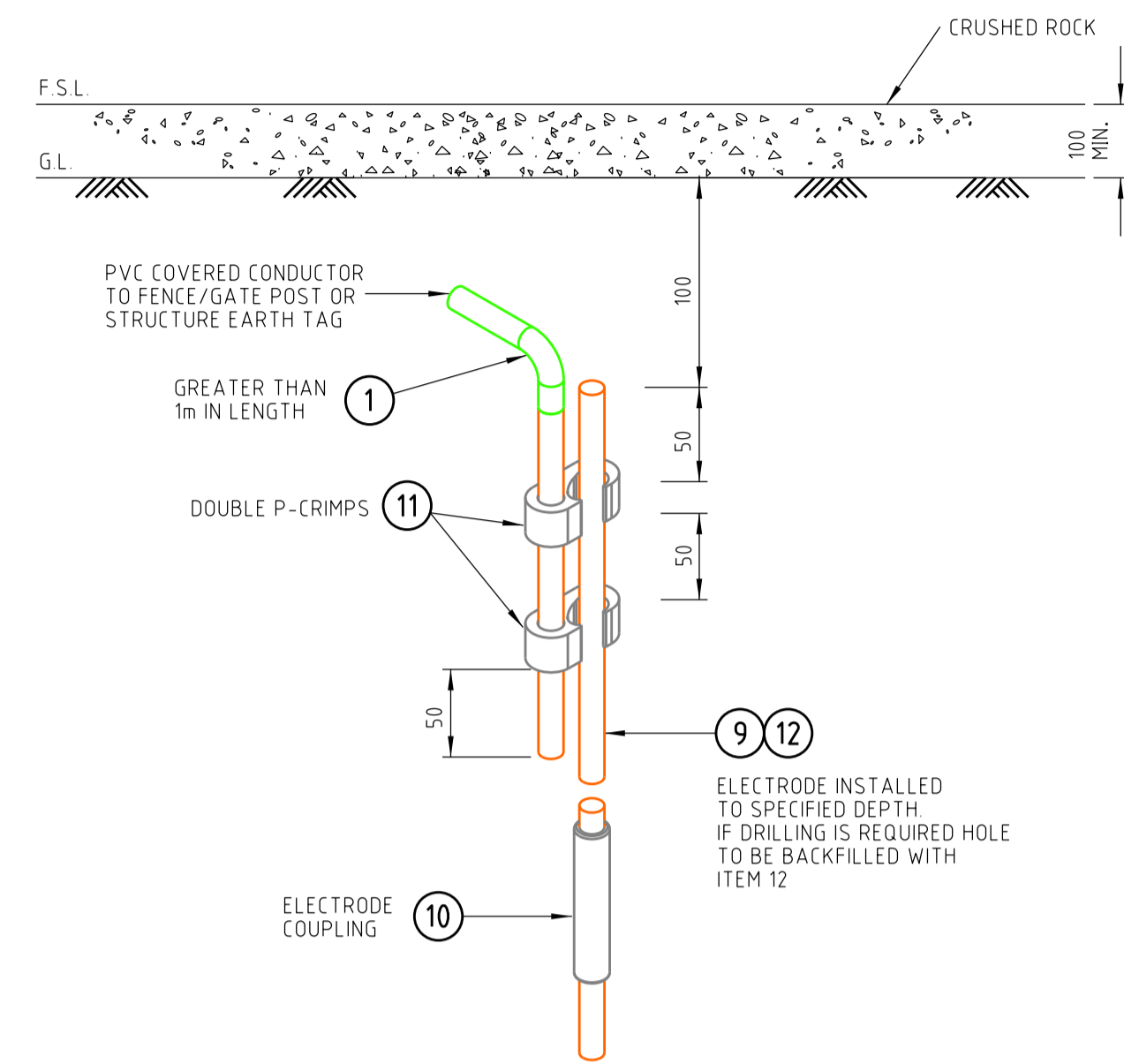
ISOMETRIC VIEW



FRONT VIEW



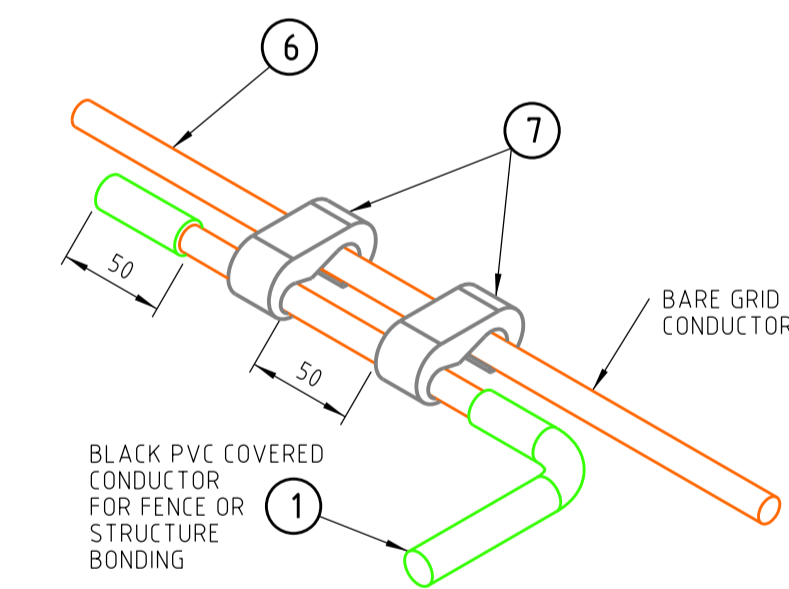
END VIEW



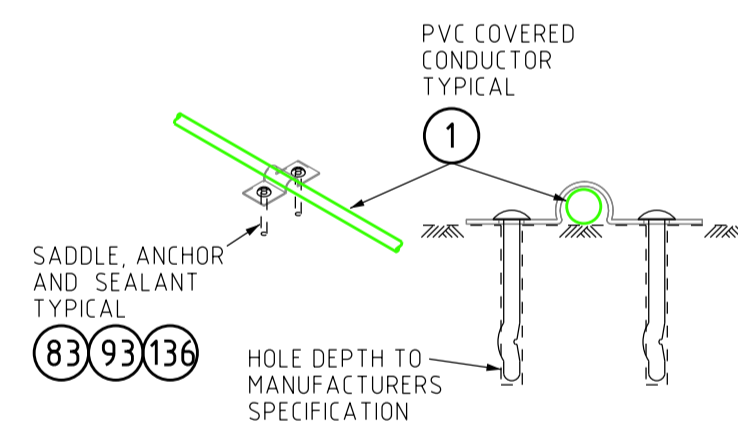
EARTH ELECTRODE DIRECT BURIED DETAIL (BE)

- NOTES:**
- ONLY ONE CONNECTION TO BOLT ALLOWED.
 - ALL CONNECTIONS TO BE CLEARLY & PERMANENTLY LABELLED WITH CABLE DESTINATION.
 - ALL DIMENSIONS ARE IN MILLIMETERS UNLESS NOTED OTHERWISE.
 - DO NOT SCALE, DIMENSIONS TAKE PRECEDENCE.
 - (BW) WITH STOCK CODES INDICATES BLACKWOODS PRODUCTS.
 - ALL CONNECTIONS ON EARTH BARS TO BE CLEARLY & PERMANENTLY LABELLED WITH CABLE DESTINATION-SEE DETAIL LC.
 - STRANDED EARTH CONDUCTORS TO BE SECURED TO CONCRETE FOOTING USING STAINLESS STEEL SADDLES, SEALANT & ANCHORS SEE DETAIL FC.

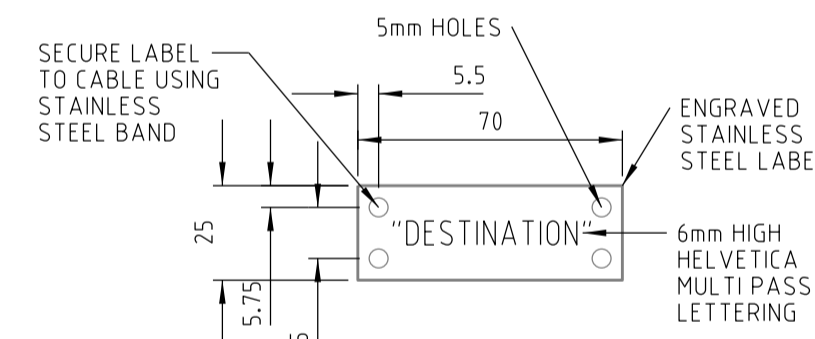
CONSTRUCTION ISSUE



CRIMPED CONNECTION EARTH GRID CONDUCTORS 3-WAY OR T JUNCTION PVC COVERED TO BARE CONDUCTOR DETAIL (C3)



PVC COVERED CABLE FIXING TO CONCRETE SLAB DETAIL (FC)



EARTH CONDUCTOR ENGRAVED STAINLESS STEEL LABEL DETAIL (LC)

ITEM NO.	ITEM	DESCRIPTION	STOCK CODE
136	JOINT SEALANT	SIKA FLEX PRO - CONCRETE GREY	
93	ANCHOR	MUSHROOM HEAD SPIKE - POWERS 5mm * 38mm STAINLESS STEEL GRADE 316 FOR FIXING UP TO 6mm MATERIALS TO CONCRETE OR BRICK, PACK OF 100	
88	STRAPPING BAND	BAND-IT STRAPPING BAND - 19mm STAINLESS STEEL	177721
83	ANCHOR FULL SADDLE	ANCHOR SADDLE - FULL SADDLE STAINLESS STEEL GRADE 316 (70mm ² CABLE)	
76	FLAT BAR	FLAT BAR - 50.8 x 3.18mm - TINNED HD COPPER	179661
12	EARTHING COMPOUND	EARTHING COMPOUND - "GOOD EARTH" 15KG BAG USE AROUND ELECTRODE IN PIT	99861
11	CONNECTOR COMPRESSION	CONNECTOR - 070mm ² BURNDY STYLE YGHP CRIMP	H31699
10	ELECTRODE COUPLING	ELECTRODE COUPLING - Ø15mm BRASS	H31649
9	ELECTRODE ROD	ELECTRODE ROD - Ø15mm - 1800 LONG COPPER CLAD	H31631
7	CONNECTOR COMPRESSION	CONNECTOR - 070mm ² BURNDY STYLE YGHC CRIMP 35/70mm ² RUN & 35/70mm ² TAP	177942
6	CONDUCTOR	CONDUCTOR - 070mm ² STRANDED COPPER - BARE	176140
5	FASTENERS WASHER	FASTENERS - WASHER - M12 BELLEVILLE STAINLESS STEEL TO A.S. 316	
4	FASTENERS WASHER	FASTENERS - WASHER - M12 FLAT STAINLESS STEEL TO A.S. 316	49429
3	FASTENERS BOLT & NUT	FASTENERS - BOLT & NUT - M12 HEX STAINLESS STEEL TO A.S. 316/A2 & 316/A4 - LENGTH TO SUIT	
2	LUG COMPRESSION	LUG - 070mm ² M12 TINNED COPPER HEX COMPRESSION	74831
1	CONDUCTOR	CONDUCTOR - 070mm ² STRANDED COPPER - BLACK PVC COVERED	60111

NO.	DATE	DESCRIPTION	BY	CHECKED
1	07/12/2003	LIGHTNING MAST DETAIL ALTERED, JUNCTION DETAILS REMOVED	PETER STOREY	PETER STOREY
2	08/02/2013	ADDED ITEMS 83, 93, 136 IN THIS DRAWING & C3 CHANGED TO AUSGRID PAGE LAYOUT.	MICHAEL GRIFFITHS	MICHAEL GRIFFITHS
3	23/11/2017	PAD FOOTING ADDED TO ASSOC. DWGS LIST	RAY DEAL	RAY DEAL
4	04/04/2019	REFERENCE DRAWINGS UPDATED	MICHAEL GRIFFITHS	MICHAEL GRIFFITHS

NO.	DATE	DESCRIPTION	BY	CHECKED
1	07/12/2003	LIGHTNING MAST DETAIL ALTERED, JUNCTION DETAILS REMOVED	PETER STOREY	PETER STOREY
2	08/02/2013	ADDED ITEMS 83, 93, 136 IN THIS DRAWING & C3 CHANGED TO AUSGRID PAGE LAYOUT.	MICHAEL GRIFFITHS	MICHAEL GRIFFITHS
3	23/11/2017	PAD FOOTING ADDED TO ASSOC. DWGS LIST	RAY DEAL	RAY DEAL
4	04/04/2019	REFERENCE DRAWINGS UPDATED	MICHAEL GRIFFITHS	MICHAEL GRIFFITHS

Ausgrid
145 NEWCASTLE RD WALLSEND, NSW 2287

SCALE	DESIGNED	NTS	PETER STOREY
	DRAWN		PAUL MCEWAN
	CHECKED		PETER STOREY
	APPROVED		R HUGHES
	DATE		24/11/03
PROJECT NUMBER	EH102-82		
PROJ TRAK NUMBER			

STANDARD CONSTRUCTION	SIZE	DRAWING No	162611	SHEET	01	AMD	4
STEEL FLANGE MOUNTED							
LIGHTNING SPIRE							
EARTHING DETAILS							