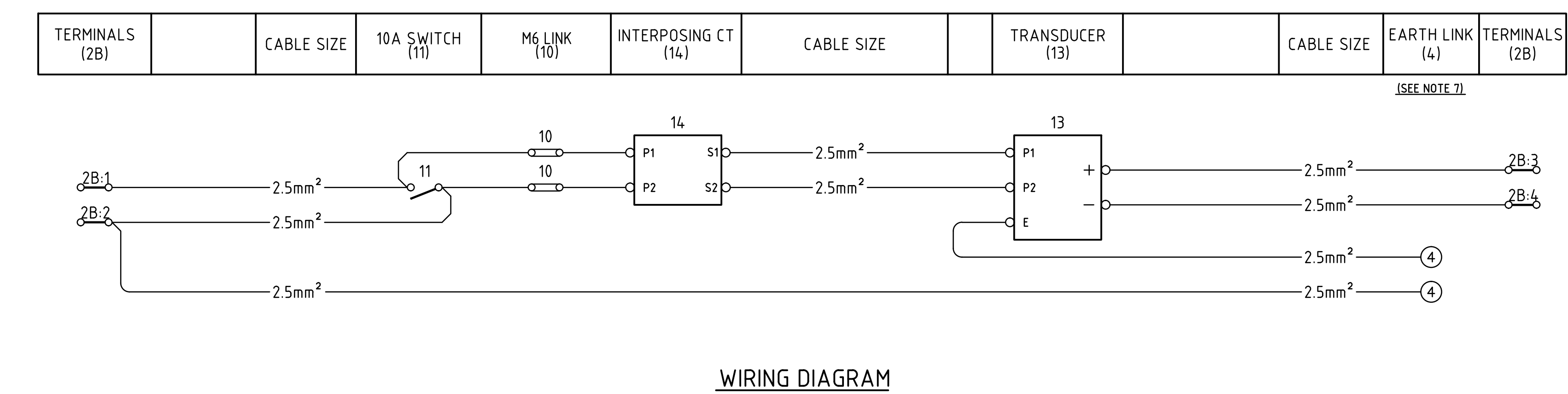
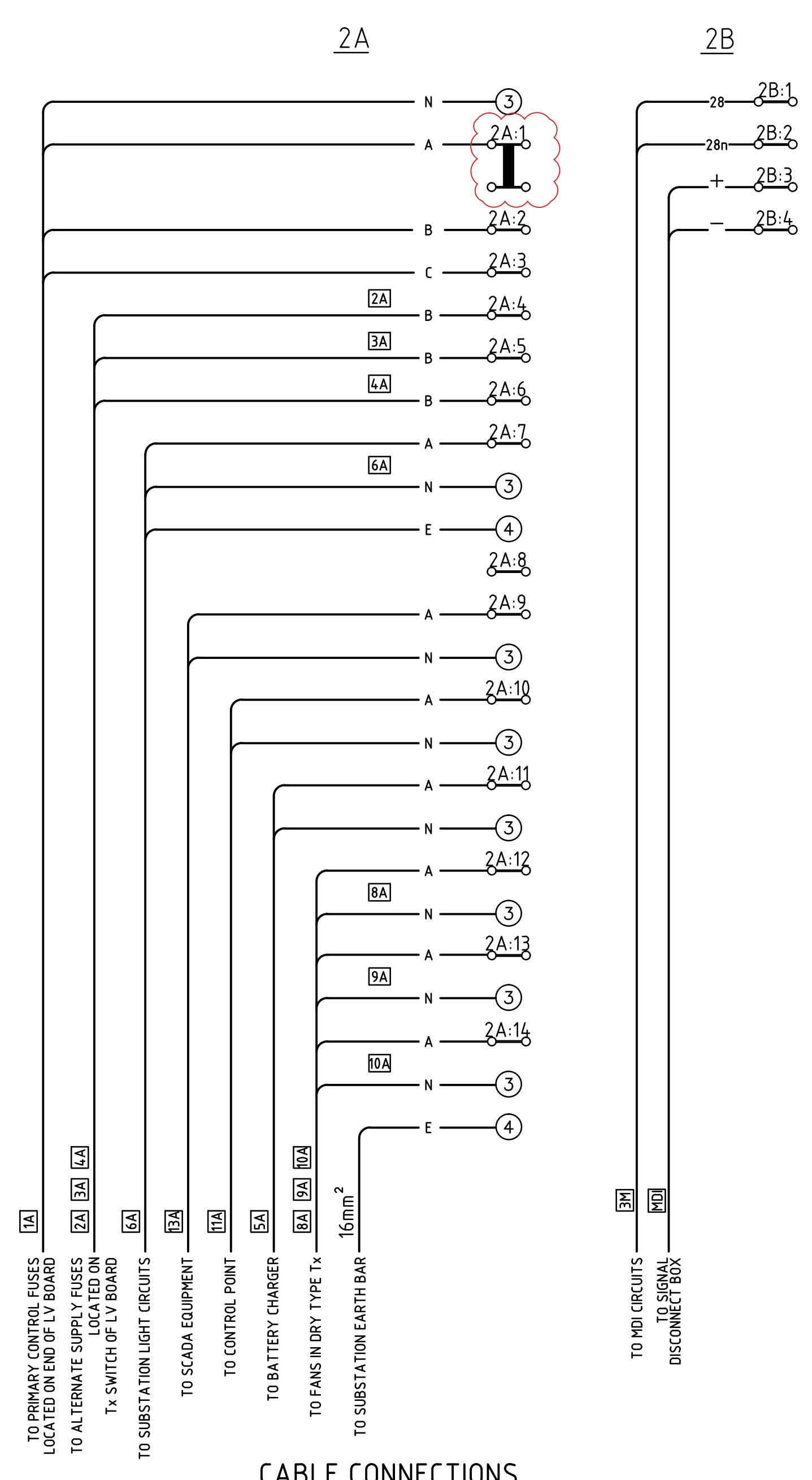
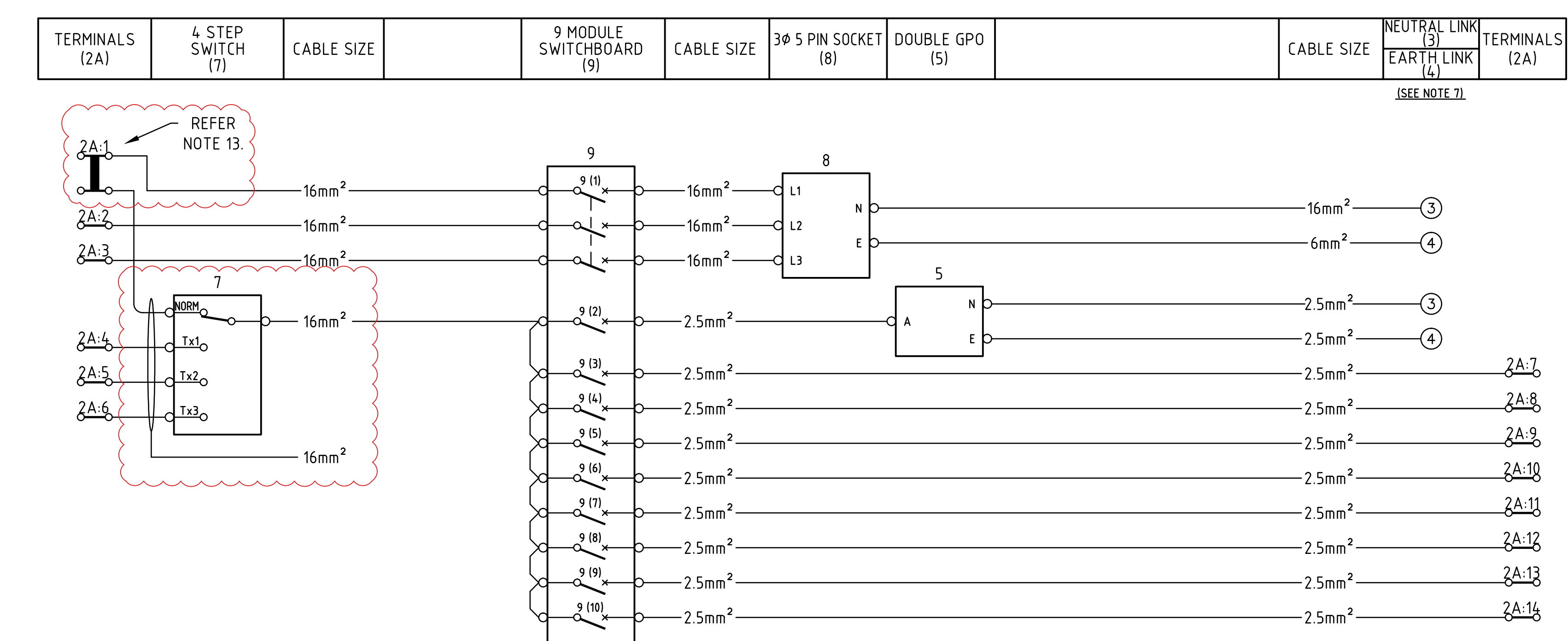


- NOTES:**
- THIS SERVICE BOARD DOES NOT HAVE FAN CONTROL EQUIPMENT INCLUDED AND IS DESIGNED FOR UPPER LEVEL CBD SUBSTATIONS WITH DRY TYPE TRANSFORMERS.
  - ALL MATERIALS SHOWN CAN BE SUBSTITUTED AS LONG AS THE SUBSTITUTE COMPONENT PROVIDES SIMILAR OR BETTER PERFORMANCE THAN THE ONE SHOWN. DETAILS PROVING THE PERFORMANCE OF OTHER PRODUCTS MUST BE SUBMITTED FOR ACCEPTANCE, IN ACCORDANCE WITH THE REQUIREMENTS OF NETWORK STANDARD NS101, BEFORE USE.
  - THIS DRAWING IS TO BE READ IN CONJUNCTION WITH RELEVANT NETWORK STANDARDS.
  - DRILLING DETAILS FOR THE TRANSDUCER, INTERPOSING CT AND MOULDED LINKS ONLY ARE SHOWN. FOR ALL OTHER COMPONENTS REFER TO THE MANUFACTURE FOR DETAILS.
  - DRILLING DETAILS, DIAMETER OF HOLES.  
C - 13mm  
D - 5mm
  - COMPRESSION TYPE CABLE LUGS ARE TO BE USED FOR CABLE TERMINATIONS ONTO ITEMS 2A, 2B, 10, 13 AND 14.
  - THE EARTH AND NEUTRAL LINK CONNECTIONS DESIGNATED BY ③ & ④ ARE TO BE INDIVIDUALLY CONNECTED TO THEIR LINK.
  - THE CABLE FROM THE SERVICE BOARD TO THE CONTROL POINT MAY NEED TO BE LARGER THAN 2.5mm<sup>2</sup> TO OVERCOME A POSSIBLE VOLTAGE DROP.
  - CIRCUITS 9(4) SPARE LIGHTS & 9(6) CONTROL POINT ARE NOT REQUIRED ON ALL INSTALLATIONS.
  - CABLE TO BE OF ADEQUATE SIZE TO PREVENT VOLTAGE DROP, REFER TO AS 3000 FOR CABLE SIZE.
  - DETAILS 1, 2 & 3 SHOW WORDING AND POSITION OF SELF ADHESIVE LABELS. LABELS ARE TO BE BLACK LETTERING ON WHITE BACKGROUND.
  - NUMBERS SHOWN [ ] ARE CABLE NUMBERS REFER TO DRAWINGS 178233 & 178234.
  - BRIDGED TERMINAL USING EXPOSED TYPE BAR LINKS ARE TO HAVE END COVER PLATE TYPE INSTALLED BETWEEN A & B PHASES TO ENSURE ELECTRICAL ISOLATION. THE TERMINALS ARE TO BE APPROPRIATELY INSULATED.



**MATERIAL LIST (SEE NOTE 2)**

ITEM No	DESCRIPTION	REMARKS	No. OFF
1	WALL MOUNTED BOX	EMPCO W6425	1
2A	TERMINAL STRIP 1 (2A: 1-14)	KLIPPON ST5 85A	14
2B	TERMINAL STRIP 2 (2B: 1-4)	UTILUX H3820 30A	4
3	NEUTRAL LINK	CLIPSAL TYPE L5	1
4	EARTH LINK	CLIPSAL TYPE L7	1
5	10A & 15A DOUBLE GPO	HPM TYPE 777/1015	1
6	MOUNTING BLOCK	HPM TYPE 140	1
7	4 STEP CHANGEOVER SWITCH	KRAUS & NAIMER TYPE C32 A231 603 E	1
7A	ADJUSTABLE SHAFT	KRAUS & NAIMER TYPE S1M004E/000B070	1
7B	TERMINAL COVERS	KRAUS & NAIMER TYPE S1M160/B03	1
8	50A 3ø, 5 PIN SOCKET	CLIPSAL CAT No. 5650550	1
9	12 MODULE SWITCHBOARD	HPM TYPE HM12	1
9 (1)	50A 3ø 8kA MINIATURE C/B (3ø POWER)	CLIPSAL TYPE 4CB350	1
9 (2)	20A 1ø 8kA MINIATURE C/B (1ø POWER)	CLIPSAL TYPE 4CB120	1
9 (3)	16A 1ø 8kA MINIATURE C/B (LIGHTS)	CLIPSAL TYPE 4CB116	1
9 (4)	16A 1ø 8kA MINIATURE C/B (SPARE)	CLIPSAL TYPE 4CB116	1
9 (5)	10A 1ø 8kA MINIATURE C/B (SCADA)	CLIPSAL TYPE 4CB110	1
9 (6)	20A 1ø 8kA MINIATURE C/B (CONTROL POINT)	CLIPSAL TYPE 4CB120	1
9 (7)	20A 1ø 8kA MINIATURE C/B (BATTERY CHARGER)	CLIPSAL TYPE 4CB120	1
9 (8)	20A 1ø 8kA MINIATURE C/B (DRY TYPE Tx1 FAN)	CLIPSAL TYPE 4CB120	1
9 (9)	20A 1ø 8kA MINIATURE C/B (DRY TYPE Tx2 FAN)	CLIPSAL TYPE 4CB120	1
9 (10)	20A 1ø 8kA MINIATURE C/B (DRY TYPE Tx3 FAN)	CLIPSAL TYPE 4CB120	1
10	M6 MOULDED LINK	AUSGRID STOCK CODE 78493	2
11	10A SINGLE POLE SWITCH	HPM TYPE A770/1	1
12	MOUNTING BLOCK	HPM TYPE 141	1
13	TRANSDUCER	DEWAR ELECTRONICS MODEL 666/2	1
14	INTERPOSING CT	CROMPTON TYPE MAS5-94 15/5A	1

CAD DRAWING  
BY: [ ]  
CHECKED: [ ]  
DATE: [ ]

1. REFER TO THE DRAWING FOR THE LOCATION OF THE SERVICE BOARD.  
2. REFER TO THE DRAWING FOR THE LOCATION OF THE SERVICE BOARD.  
3. REFER TO THE DRAWING FOR THE LOCATION OF THE SERVICE BOARD.  
4. REFER TO THE DRAWING FOR THE LOCATION OF THE SERVICE BOARD.  
5. REFER TO THE DRAWING FOR THE LOCATION OF THE SERVICE BOARD.  
6. REFER TO THE DRAWING FOR THE LOCATION OF THE SERVICE BOARD.  
7. REFER TO THE DRAWING FOR THE LOCATION OF THE SERVICE BOARD.  
8. REFER TO THE DRAWING FOR THE LOCATION OF THE SERVICE BOARD.  
9. REFER TO THE DRAWING FOR THE LOCATION OF THE SERVICE BOARD.  
10. REFER TO THE DRAWING FOR THE LOCATION OF THE SERVICE BOARD.  
11. REFER TO THE DRAWING FOR THE LOCATION OF THE SERVICE BOARD.  
12. REFER TO THE DRAWING FOR THE LOCATION OF THE SERVICE BOARD.  
13. REFER TO THE DRAWING FOR THE LOCATION OF THE SERVICE BOARD.  
14. REFER TO THE DRAWING FOR THE LOCATION OF THE SERVICE BOARD.

**CONSTRUCTION**

**Ausgrid**  
NETWORK STANDARD  
DISTRIBUTION OPERATIONS & RELIABILITY  
LOGISTICS AND DISTRIBUTION ENGINEERING  
25-27 POMEROY STREET, HOMEBUSH

SCALE: AS SHOWN  
DESIGNED: MWR  
DRAWN: AJE  
CHECKED: BUL  
APPROVED: [ ]  
DATE: 24.10.95

PROJECT NUMBER: 5004639

CITY DISTRIBUTION SUBSTATIONS  
WITHOUT SUBSTATION FAN CONTROL  
SERVICE BOARD  
GENERAL ARRANGEMENT AND WIRING  
DIAGRAM

SIZE: B1  
DRAWING No: 121951  
SHEET: 1  
NO: 6