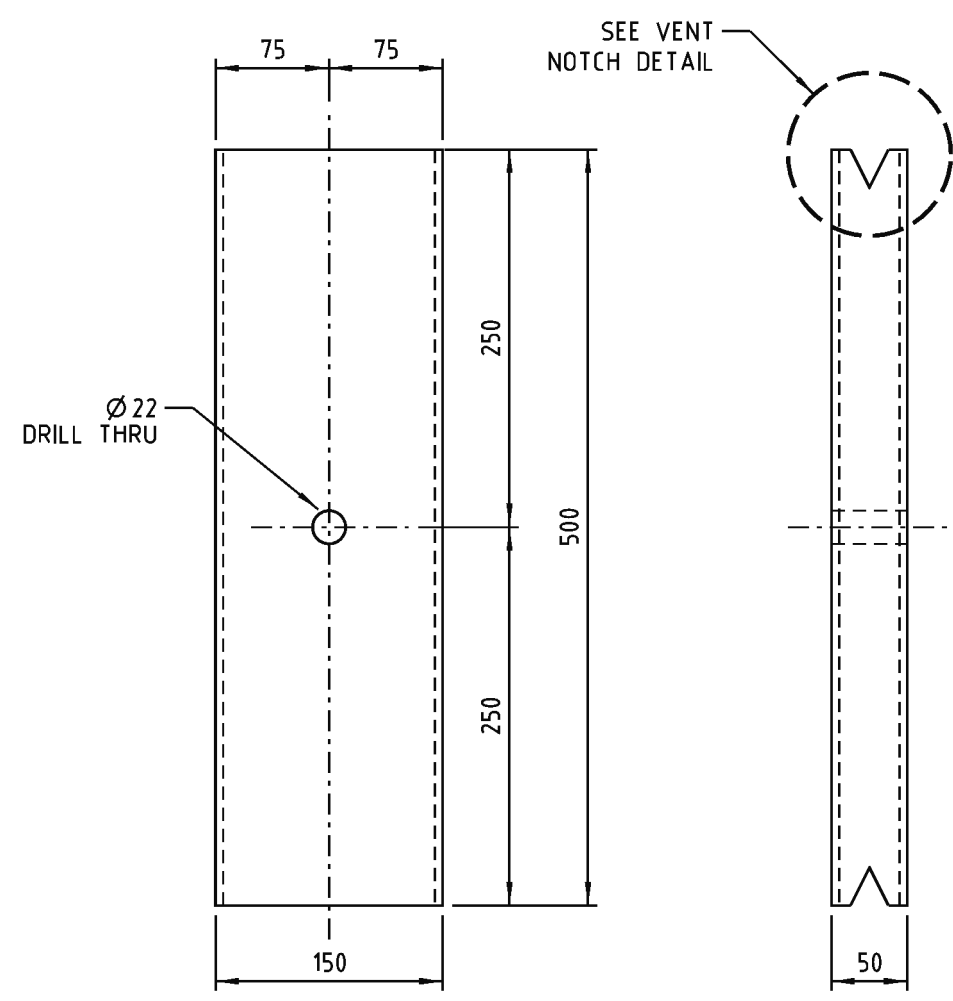
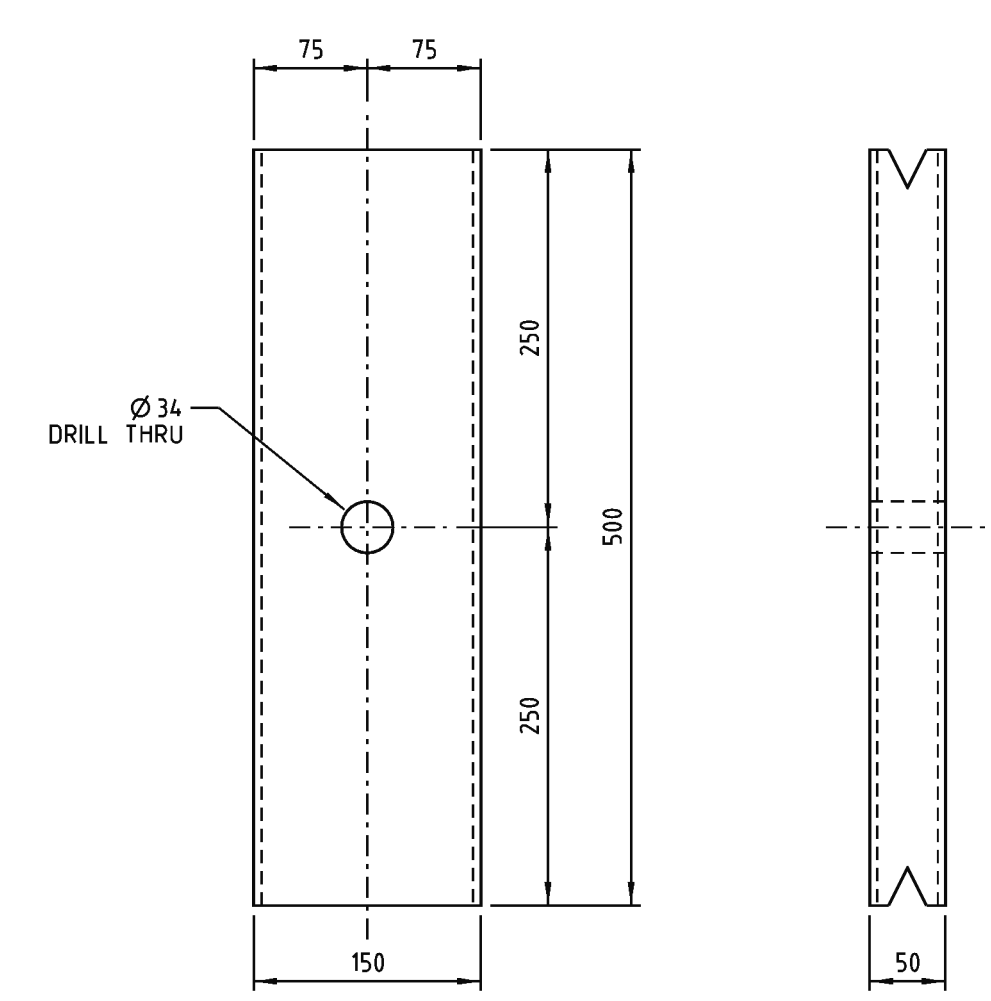


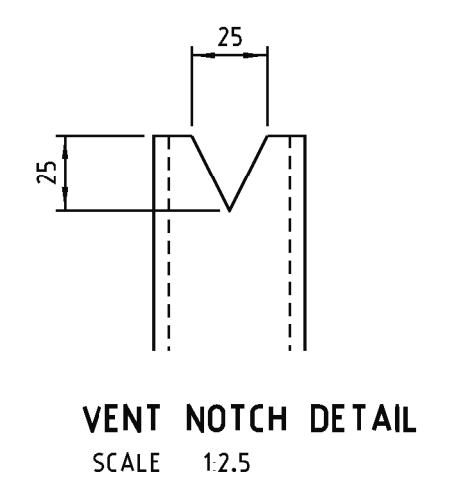
ITEM 1 - TOP/BOTTOM RHS
SCALE 15
MATERIAL 150 x 50 RHS



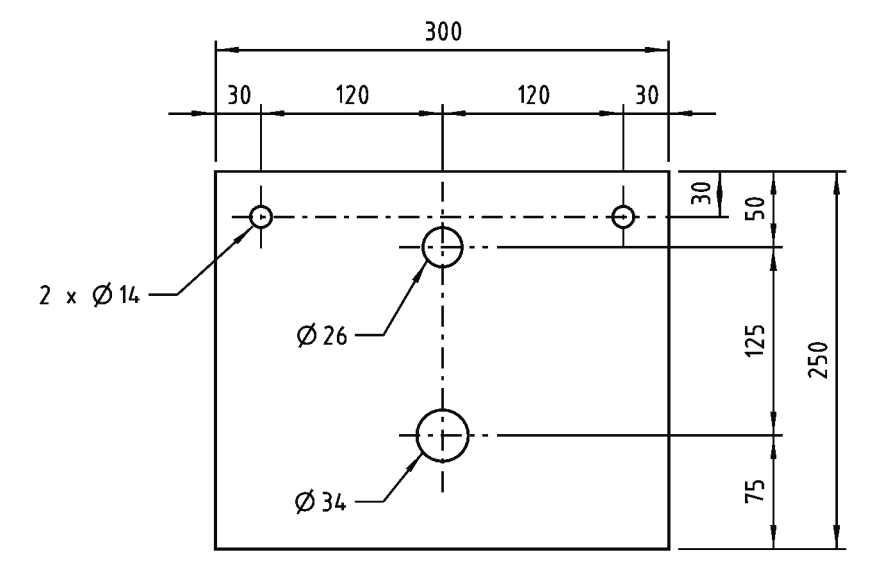
ITEM 2 - END SUPPORT RHS
SCALE 15
MATERIAL 150 x 50 RHS



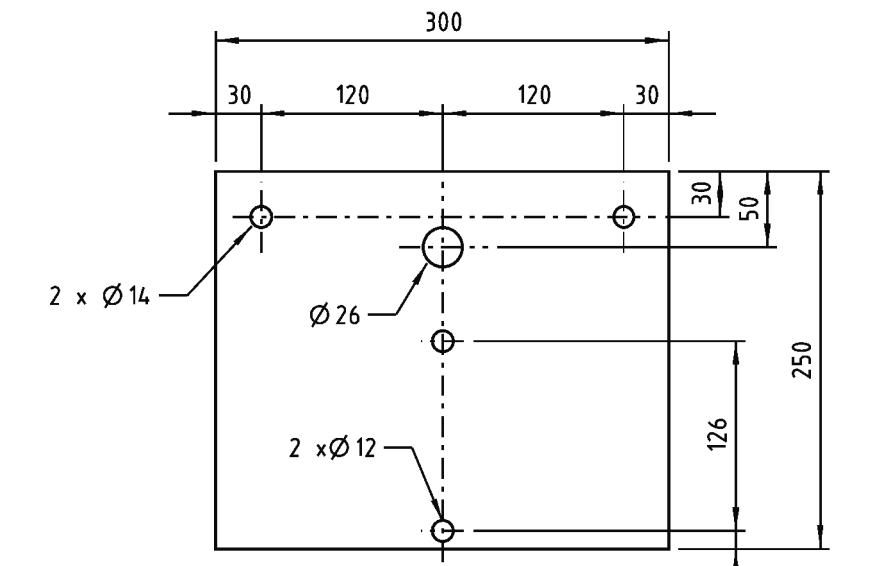
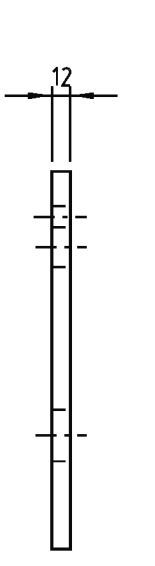
ITEM 2a - CENTRE SUPPORT RHS
SCALE 15
MATERIAL 150 x 50 RHS



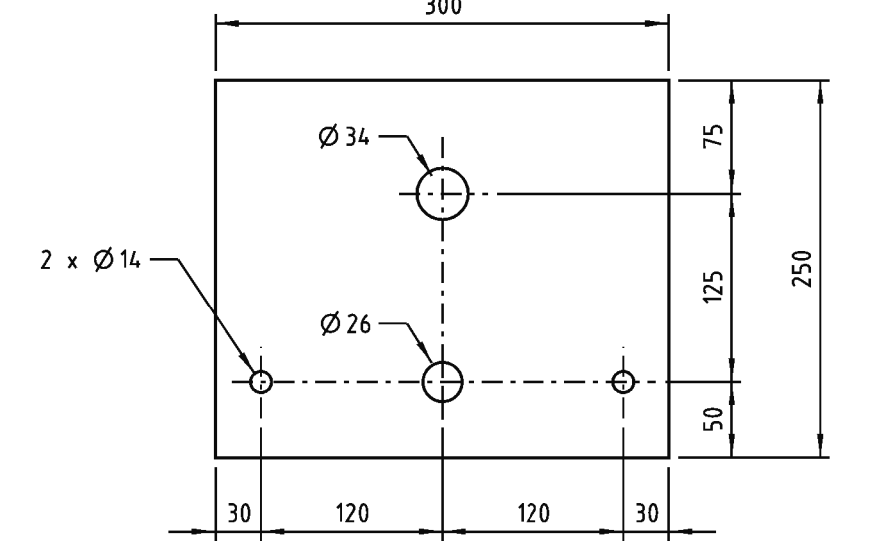
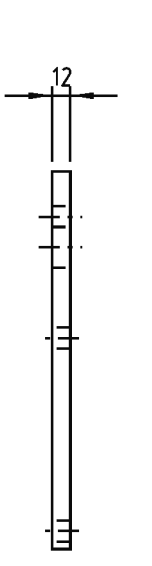
VENT NOTCH DETAIL
SCALE 12.5



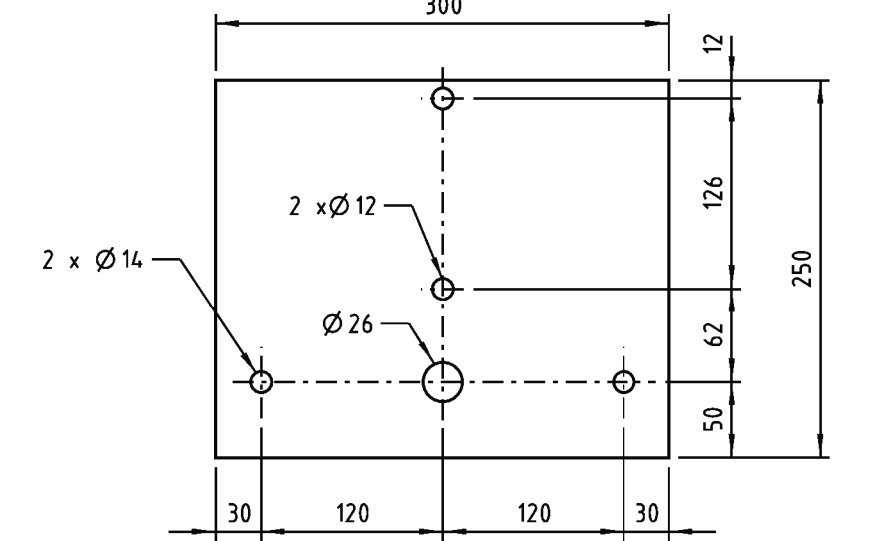
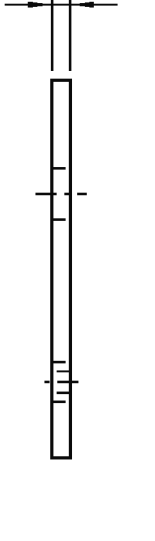
ITEM 3 - TOP CENTRE PLATE
SCALE 15
MATERIAL 250 x 12 FLAT



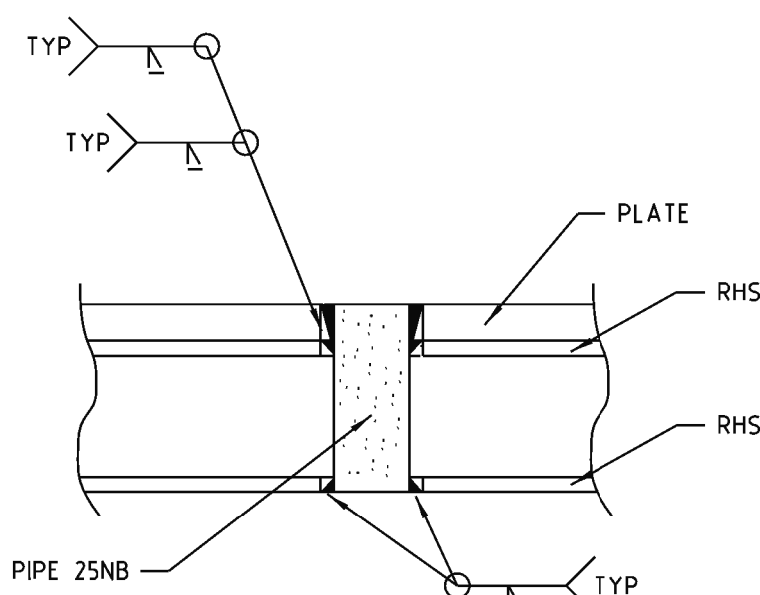
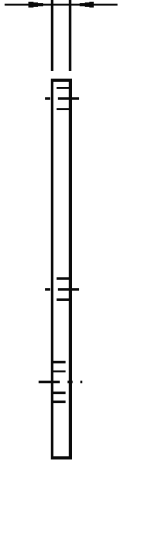
ITEM 4 - TOP END PLATES
SCALE 15
MATERIAL 250 x 12 FLAT



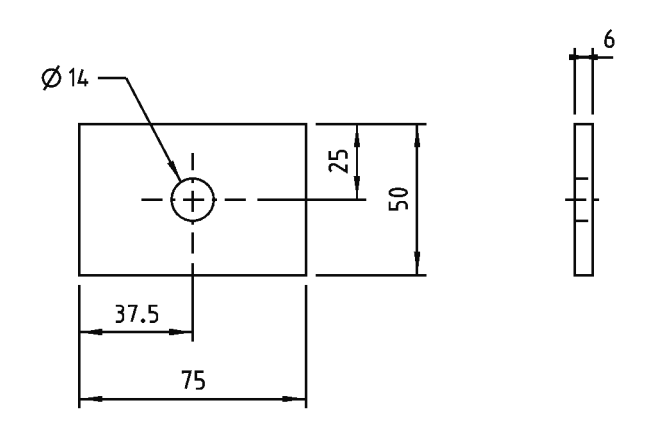
ITEM 5 - BOTTOM CENTRE PLATE
SCALE 15
MATERIAL 250 x 12 FLAT



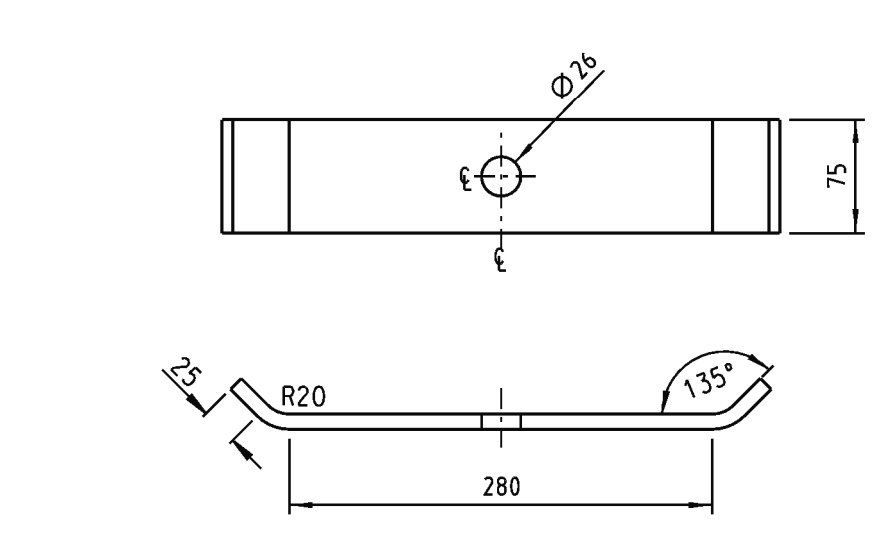
ITEMS 6 - BOTTOM END PLATES
SCALE 15
MATERIAL 250 x 12 FLAT



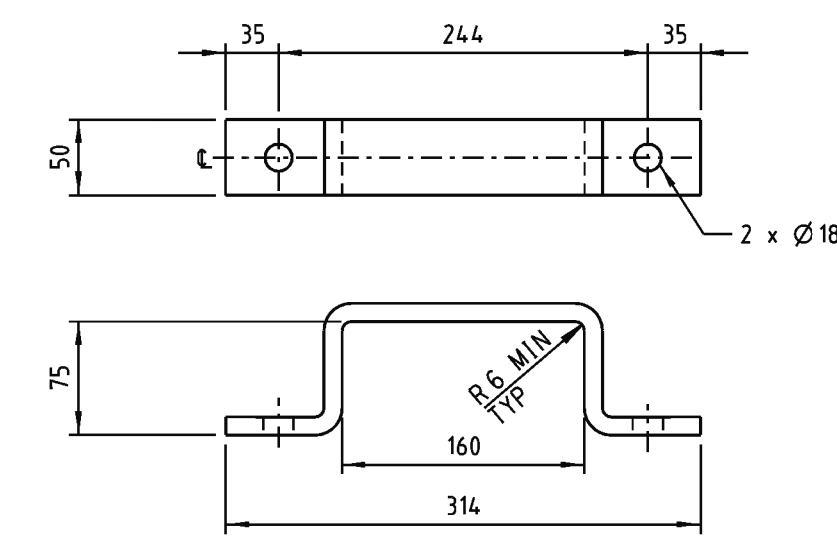
PIPE WELD SECTION
SCALE 12.5



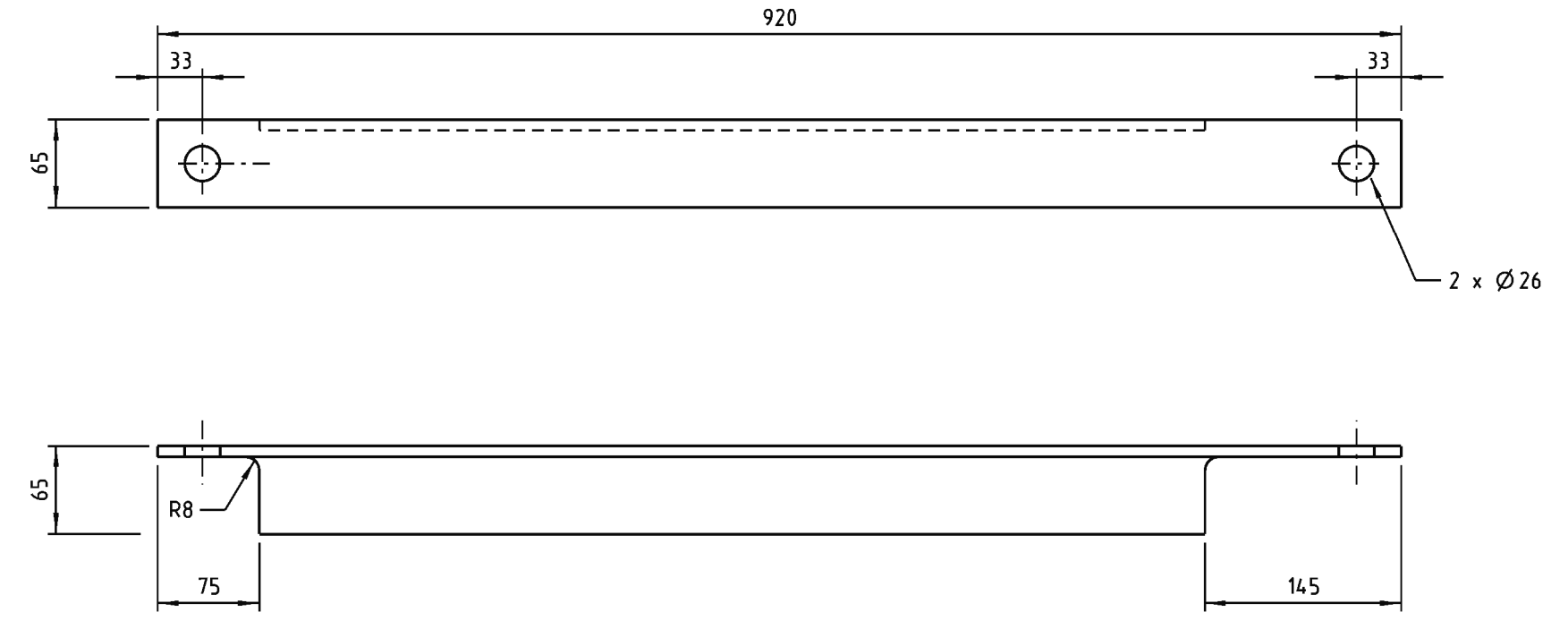
ITEM 12 - EARTH TAG
SCALE 12.5



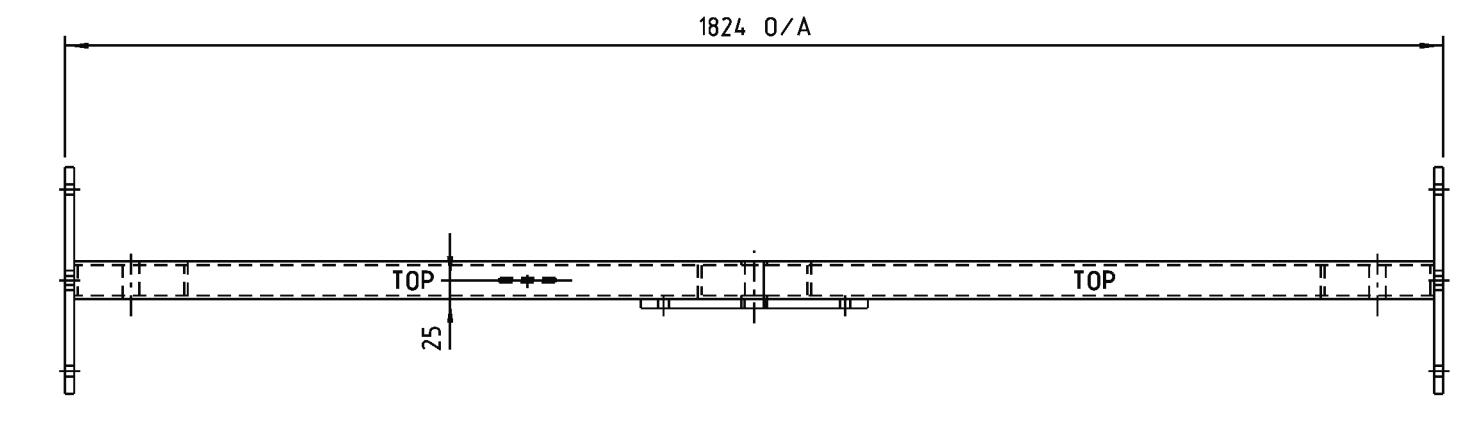
ITEM 7 - BACKING PLATE
SCALE 15
MATERIAL 75 x 6mm FLAT



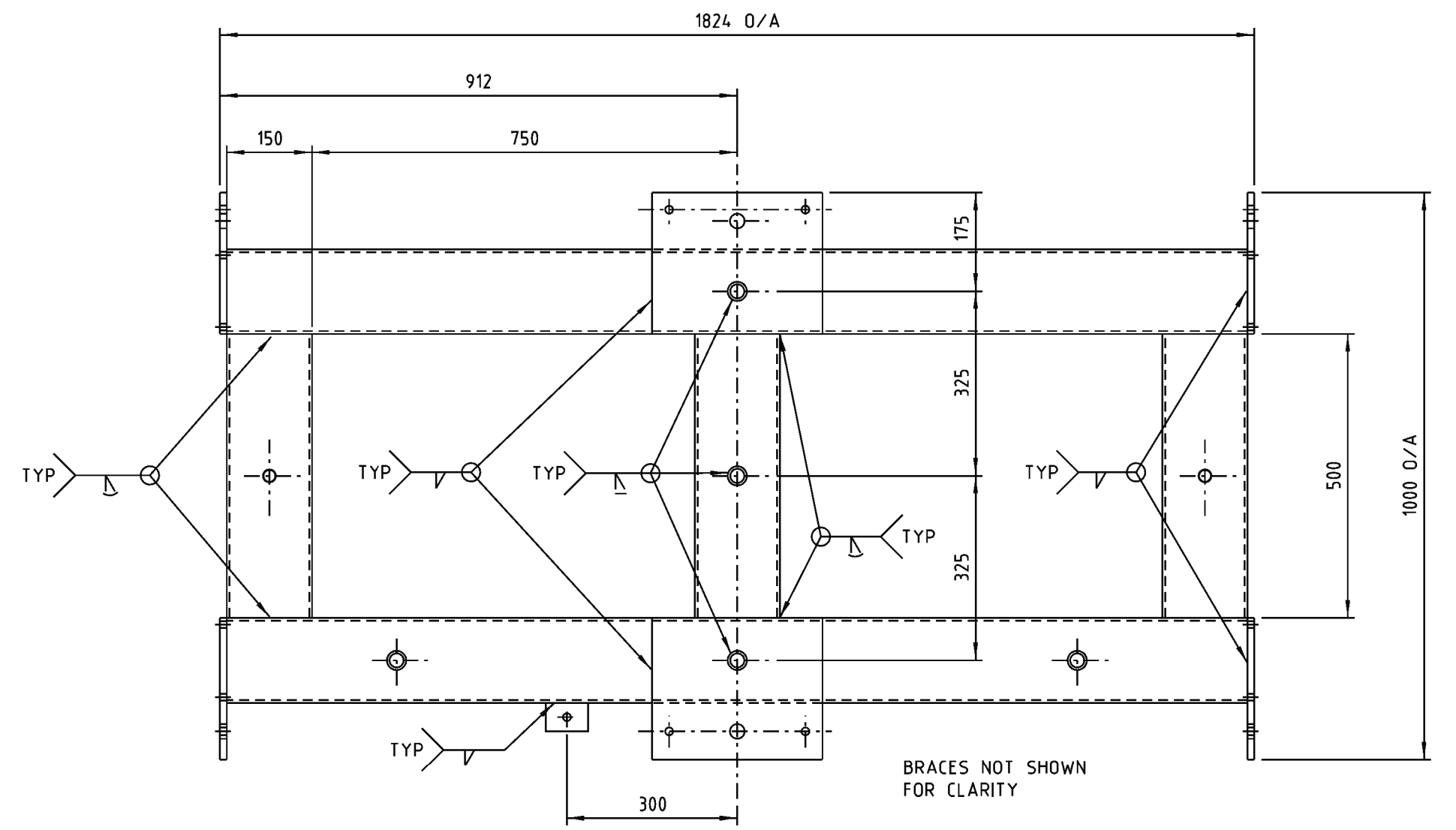
ITEM 8 - CROSSARM BRACKET
SCALE 15
MATERIAL 50 x 12mm FLAT



ITEM 11 - RHS SUPPORT BRACE
SCALE 15
MATERIAL 65 x 65 x 8mm STEEL ANGLE

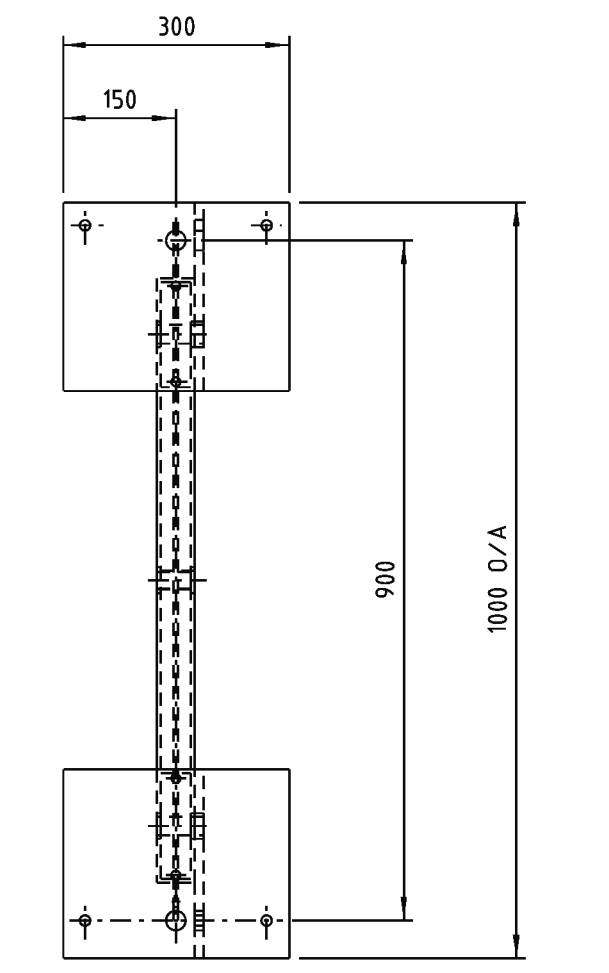


TOP VIEW
SCALE 1:10

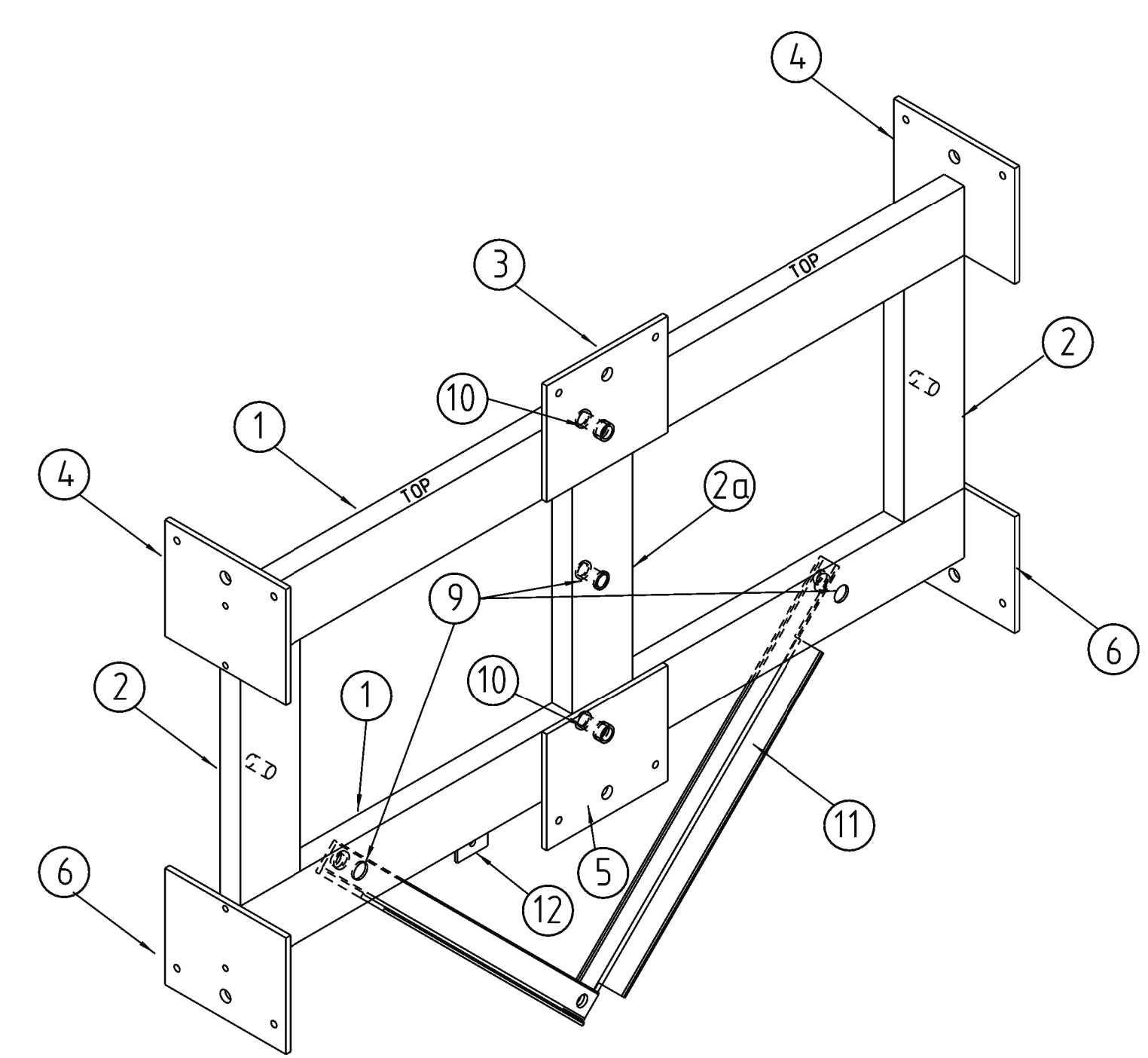


FRONT VIEW
SCALE 1:10

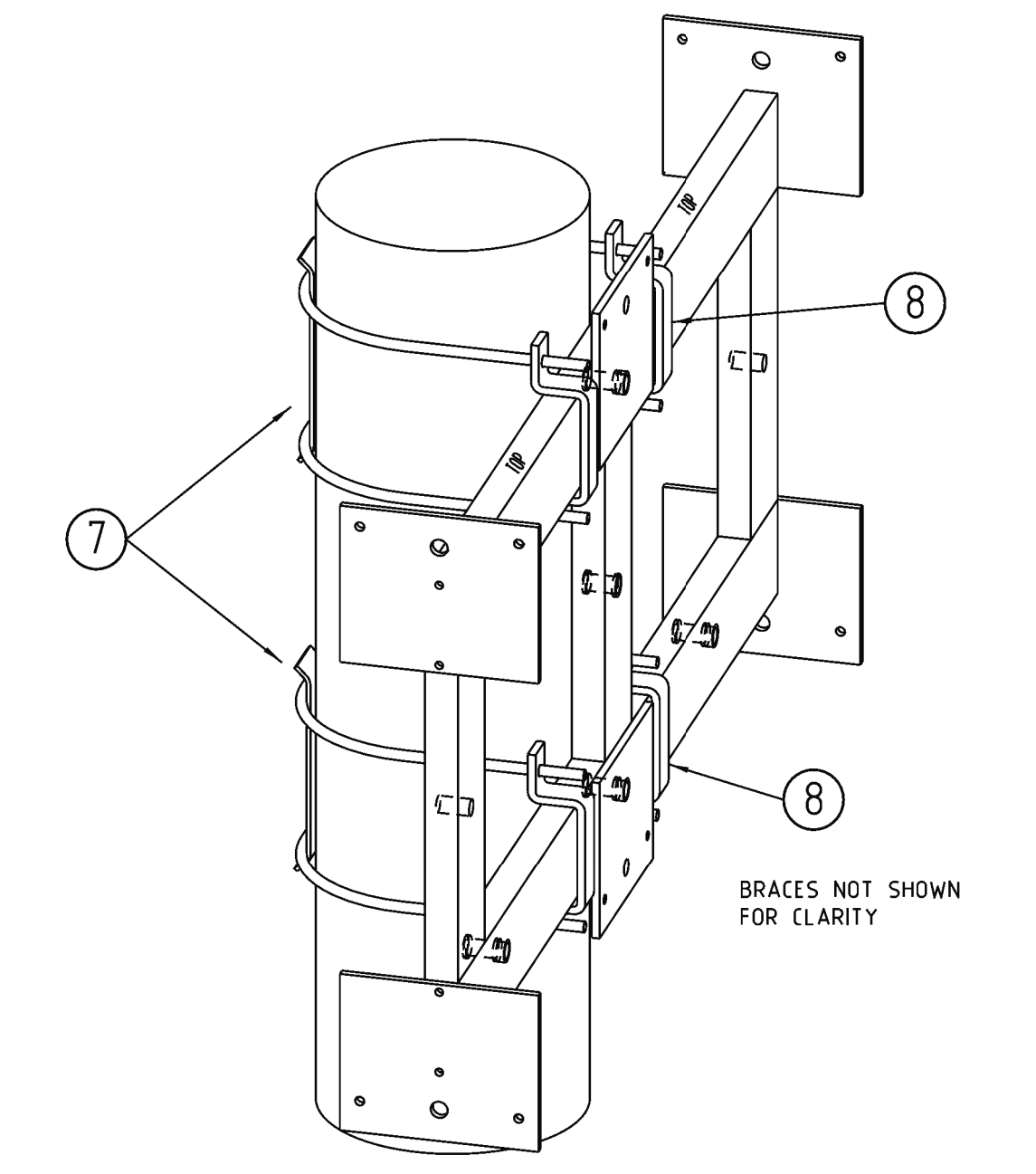
- DESIGN NOTES**
1. THE FRAME CAN SUPPORT 3 REGULATORS OF MAXIMUM WEIGHT OF 1200kg EACH.
 2. THE FRAME HAS BEEN DESIGNED FOR AN ADDITIONAL VERTICAL LOAD OF 200kg (POLE TOP RESCUE).
 3. THE FRAME SHALL BE CONNECTED TO A STRONG AND DURABLE TIMBER POLE WITH JOINT GROUP CLASSIFICATION OF J1 OR J2 OR J01 OR J02 IN ACCORDANCE WITH AS 1720.



END VIEW
SCALE 1:10



ISOMETRIC VIEW
SCALE NTS



ASSEMBLY VIEW
SCALE NTS

- NOTES**
1. ALL WORKMANSHIP SHALL COMPLY WITH AS 4100.
 2. ALL WELDING SHALL COMPLY WITH AS 1554 CATEGORY GP.
 3. ALL WELDS SHALL BE 6mm CONTINUOUS FILLET UNLESS NOTED OTHERWISE.
 4. BUTT WELDS SHALL BE FULL PENETRATION UNLESS NOTED OTHERWISE.
 5. ALL DIMENSIONS IN MILLIMETRES.
 6. DO NOT SCALE.

SURFACE PREPARATION AND PROTECTION

1. HOT DIPPED GALVANISED COATING TO AS/NZS 4680-1999.
2. DE-BURR AND DRESS BEFORE DELIVERY.

ITEM	DESCRIPTION	DWG No	REV.No	STOCK CODE	QTY.
12	FLAT - 75 x 6 x 50 LONG AS3679.1-300				1
11	EQUAL ANGLE - 75 x 75 x 8 x 920 LONG AS3679.1-300				2
10	PIPE 25NB MEDIUM WALL x 62 LONG AS1163-350				2
9	PIPE 25NB MEDIUM WALL x 50 LONG AS1163-350				3
8	FLAT - 50 x 12 x 480 LONG AS3679.1-300				4
7	FLAT - 75 x 6 x 330 LONG AS3679.1-300				2
6	FLAT - 250 x 12 x 300 LONG AS3679.1-300				2
5	FLAT - 250 x 12 x 300 LONG AS3679.1-300				2
4	FLAT - 250 x 12 x 300 LONG AS3679.1-300				1
3	FLAT - 250 x 12 x 300 LONG AS3679.1-300				1
2a	RHS - 150 x 50 x 5 x 500 LONG AS1163-350				1
2	RHS - 150 x 50 x 5 x 500 LONG AS1163-350				2
1	RHS - 150 x 50 x 5 x 1800 LONG AS1163-350				2

CAD DRAWING
DO NOT MANUALLY AMEND

AMENDMENTS

NO	INITIAL ISSUE	DATE	DESCRIPTION
1	DWN BARBARA BARSKI CHKD WILLIAM GRAHAM DATE 15/11/2007	15/11/2007	Ø22 ADDED TO ITEM 2
2	APPD BY WILLIAM GRAHAM DWN NATALIE SINGLETON CHKD PETER STOREY DATE 31/07/2008	31/07/2008	TITLE BLOCK CHANGED

APPD By

WILLIAM GRAHAM

DESIGNED

WILLIAM GRAHAM

DRAWN

BARBARA BARSKI

CHECKED

PAUL LOVARINI

APPROVED

TASS VELONAS

DATE

10/07/07

PROJECT No.

STD

PROJECT NUMBER

STD

SCALE

AS SHOWN

McGRAW-EDISON 100A & 200A POLE MOUNTED VOLTAGE REGULATOR MOUNTING FRAME CONSTRUCTION DETAIL

DRAWING No 181618 SHEET 01 AMD 2 SIZE B1

NETWORK STANDARD

DESIGN
145 NEWCASTLE RD WALLSEND, NSW 2287
TEL 4951 9388 FAX 4951 9389

ASSOCIATED DRAWINGS