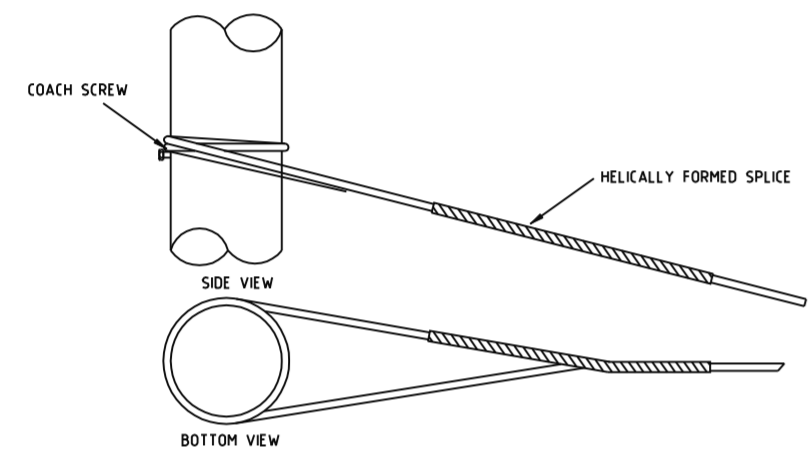


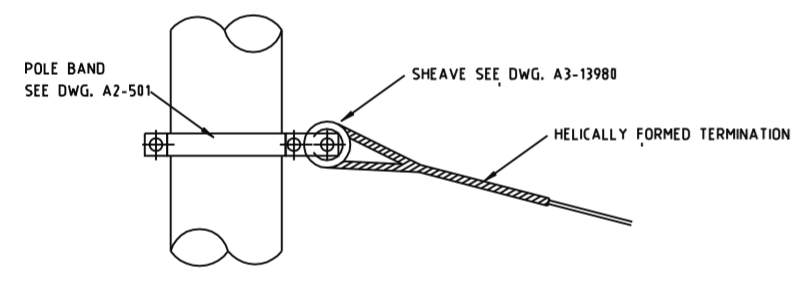
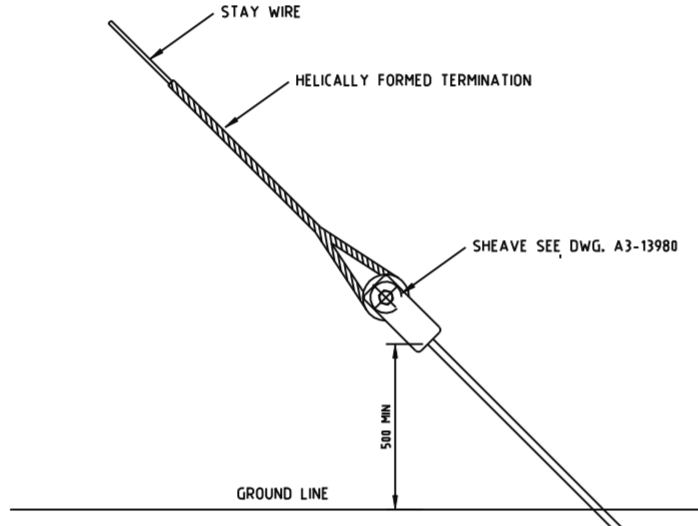
STAY WIRE ARRANGEMENT

DESCRIPTION	DRAWING No.
POLE DETAILS	A2-501
ANCHOR ROD	A4-1000
HARDWOOD BATTEN FOR EARTH WIRES	A3-1122
STAY CONNECTING PLATES	A2-13977
SHEAVE DETAILS	A3-13988
GROUND ANCHOR CABLE FOR PARTIAL ROCK	A2-58797

- NOTES.
- TYPES OF GROUND -
 GOOD BEARING - WELL COMPACTED ROCK SOIL, HARD CLAY AND WELL BONDED SAND AND GRAVEL WITH GOOD SURFACE WATER DRAINAGE AND FOOTING NORMALLY ABOVE WATER TABLE
 RUPTURE CAPACITY - 600kPa/m
 MEDIUM BEARING - COMPACT MEDIUM CLAY, WELL BONDED SANDY LOAM, BONDED SAND AND GRAVEL WITH REASONABLE SURFACE WATER DRAINAGE.
 RUPTURE CAPACITY - 300kPa/m
 POOR BEARING - SOFT CLAY, POOR COMPACTED SAND AND SOILS THAT TEND TO ABSORB LARGE AMOUNTS OF WATER PROVIDED THESE DO NOT DEVELOP INTO SLUSH.
 RUPTURE CAPACITY - 150kPa/m
 - ANCHOR TO BE TERMINATED WITH GALVANISED M.S. SQUARE WASHER (75mm SIDES & 10mm THK.) THE END OF THE ROD TO BE MUSHROOMED OVER NUT.
 - WHERE THE STAYWIRE PASSES THROUGH CONDUCTORS OF DIFFERENT CIRCUITS, A STAY INSULATOR WILL BE PLACED IN THE STAY WIRE ABOVE AND BELOW EACH CIRCUIT.
 - WHERE STAY INSULATORS ARE OMITTED IN DOUBLE STAY WIRES, USE STAY CONNECTING PLATES AND SHEAVES TO EQUALISE THE STAY WIRE TENSIONS.
 - NEW INSTALLATIONS - USE 2400mm LENGTH OF 40mm WHITE RIGID P.V.C. CONDUIT REPLACEMENTS - WHITE - PAINTED HARDWOOD BATTEN TO DWG. No. A3-1122
 - CATTLE BARRIERS ARE TO BE INSTALLED IN LIVESTOCK PRONE AREAS (REFER HUNTER DWG A3-513547)
 - ADDITIONAL STAY WIRE OPTIONS ARE PERMITTED FOR SPECIFIC CONDITIONS IN THE NEWCASTLE AND HUNTER AREAS ONLY, AS INDICATED ON THE FOLLOWING HUNTER DWG's -
 A3-528366 SHORT STAY POLE
 A3-528399 SIDEWALK STAY
 A2-507800 GROUND ANCHOR ARRANGEMENT ON SLOPING GROUND
 A2-507797 120KN (84.8KN POLE TOP) GROUND STAY

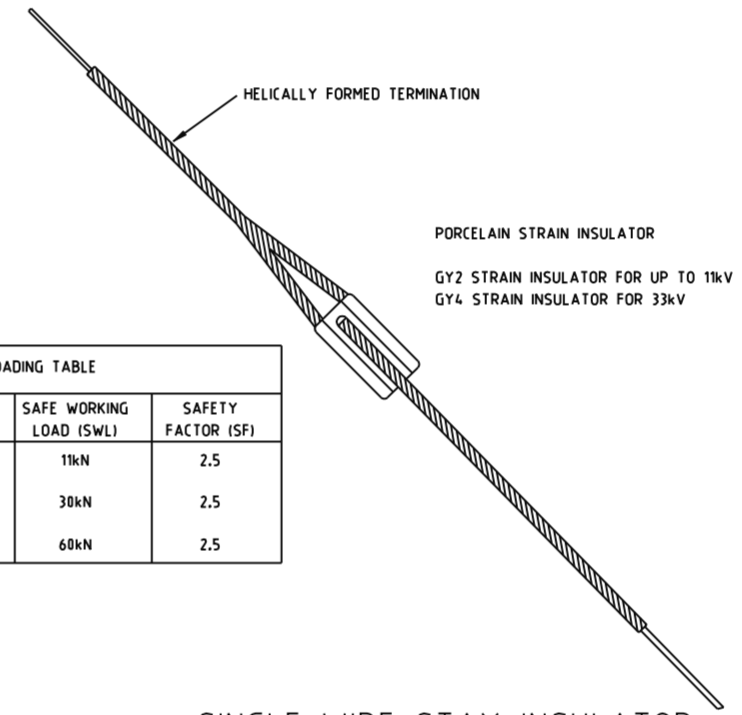


STAY WIRE - TERMINATION ARRANGEMENTS

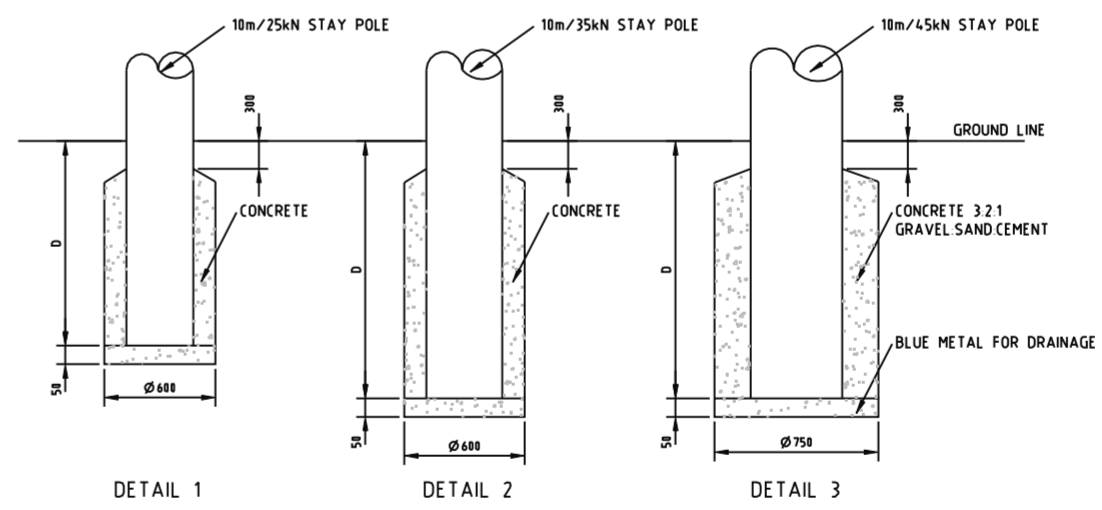


STAYWIRE LOADING TABLE			
STAYWIRE SIZE	ULTIMATE TENSILE STRENGTH (UTS)	SAFE WORKING LOAD (SWL)	SAFETY FACTOR (SF)
7/2.00	27kN	11kN	2.5
19/2.00	74kN	30kN	2.5
2x19/2.00	148kN	60kN	2.5

DOUBLE WIRE STAY INSULATOR ARRANGEMENT



SINGLE WIRE STAY INSULATOR ARRANGEMENT



MAXIMUM POLE HEAD LOAD (kN)	POLE CLASS	DETAIL	TYPE OF GROUND & SINKING DEPTH "D" METRES		
			SOLID ROCK	MEDIUM SOIL	POOR BEARING
20	10m/25kN	LOAD (kN)	2.1	2.4	2.7
30	10m/35kN	LOAD (kN)	2.1	2.7	3.2
40	10m/45kN	LOAD (kN)	2.1	2.7	3.2

STAY POLE FOOTING DETAILS

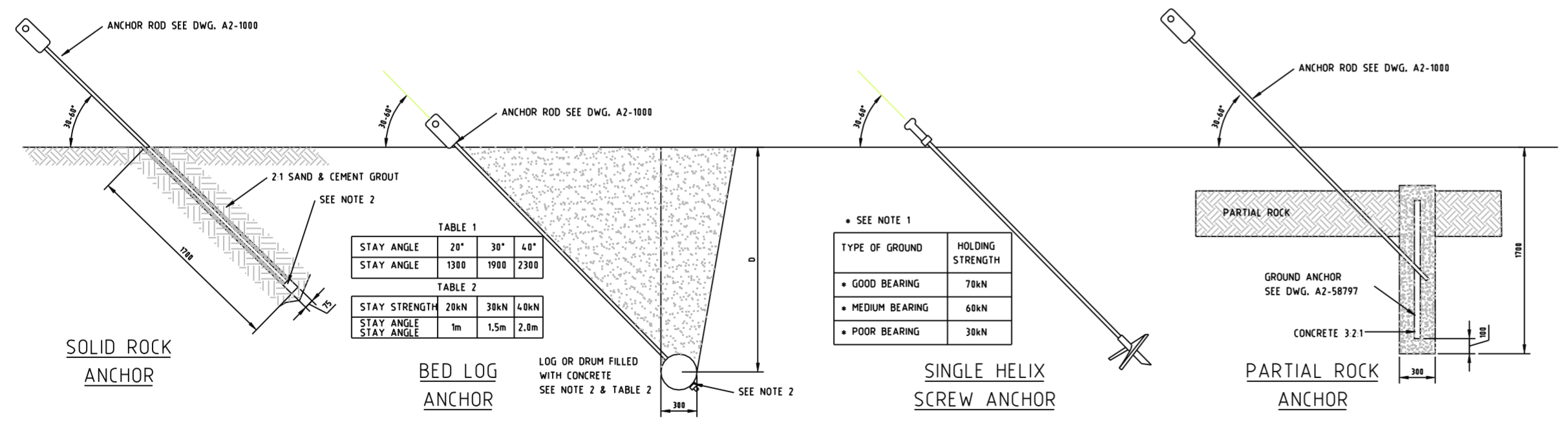


TABLE 1			
STAY ANGLE	20°	30°	40°
STAY ANGLE	1300	1900	2300

TABLE 2			
STAY STRENGTH	20kN	30kN	40kN
STAY ANGLE	1m	1.5m	2.0m

* SEE NOTE 1	
TYPE OF GROUND	HOLDING STRENGTH
* GOOD BEARING	70kN
* MEDIUM BEARING	60kN
* POOR BEARING	30kN

STAY ANCHORAGES - ARRANGEMENTS

AMENDMENTS
 6. SCANNED ON E.A. FORMAT
 NOTES &7 ADDED
 DBN BR 20/06/01 CKD M.P.
 APP. M.P.
 P/NOLES 99-52-1

Enerserve - A business of EnergyAustralia

OVERHEAD STAYS & STAY POLES ANCHORAGES, FOOTINGS & TERMINATION ARRANGEMENTS TITLE

SCALE	NTS	DRAWN	M.C.
PROJ. No	ES	CHK'D	
APPROVED FOR	SEE ORIGINAL	ID No.	1952
SIZE	DWG. NUMBER	AMD	
B1	061501	6	

Copyright