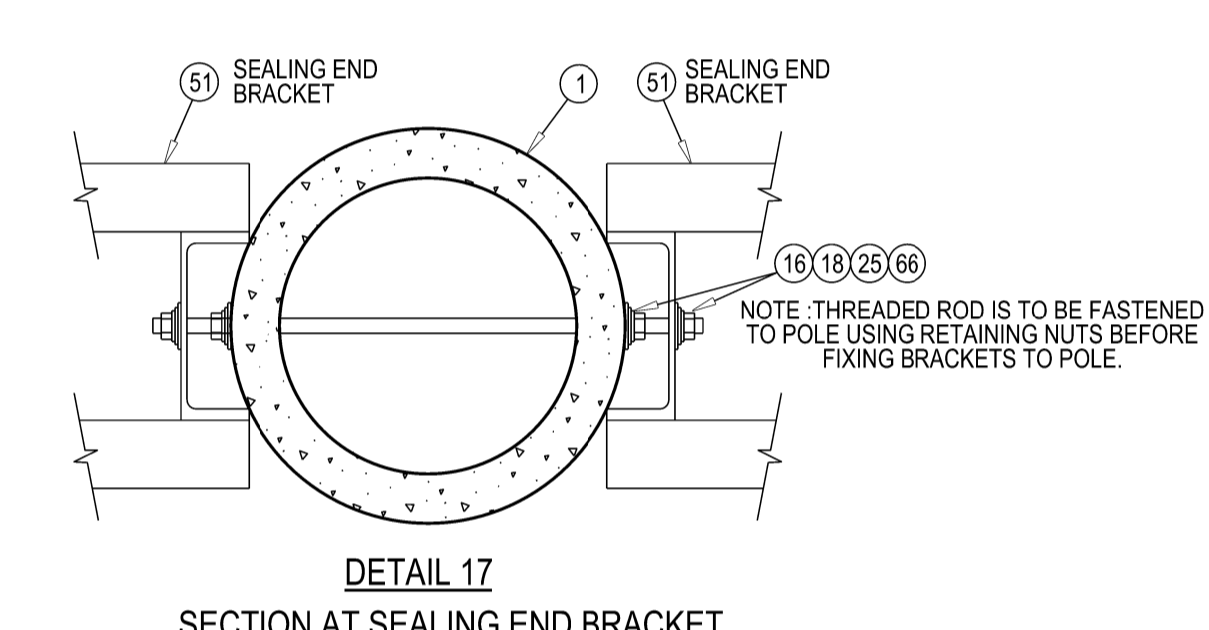
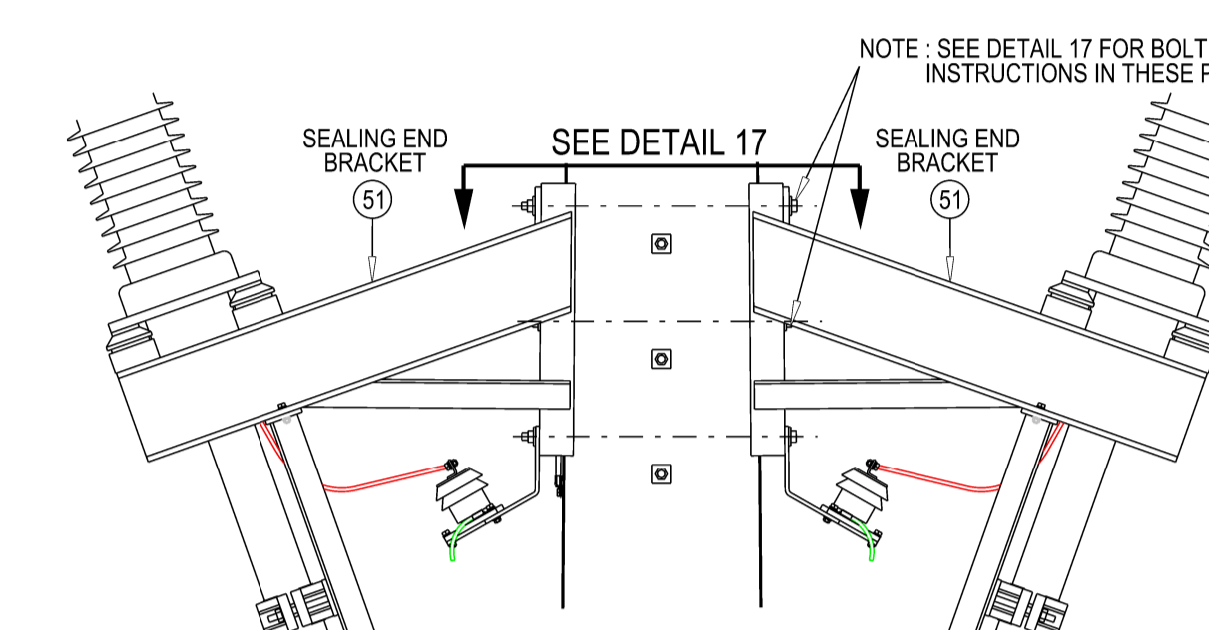
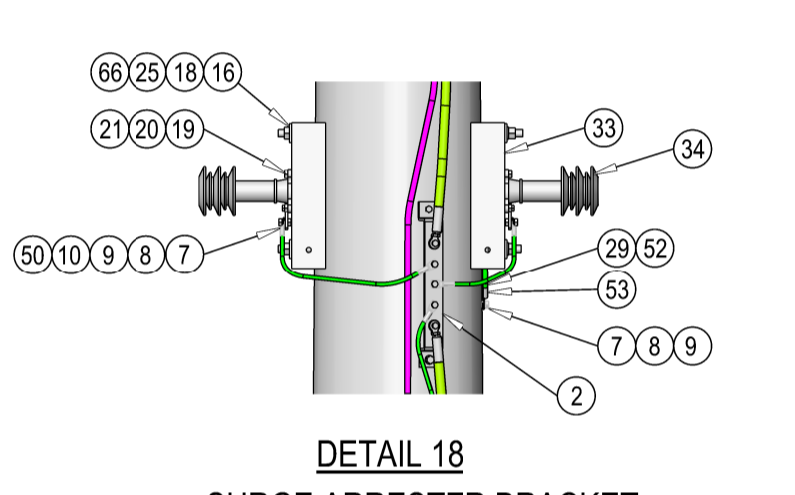
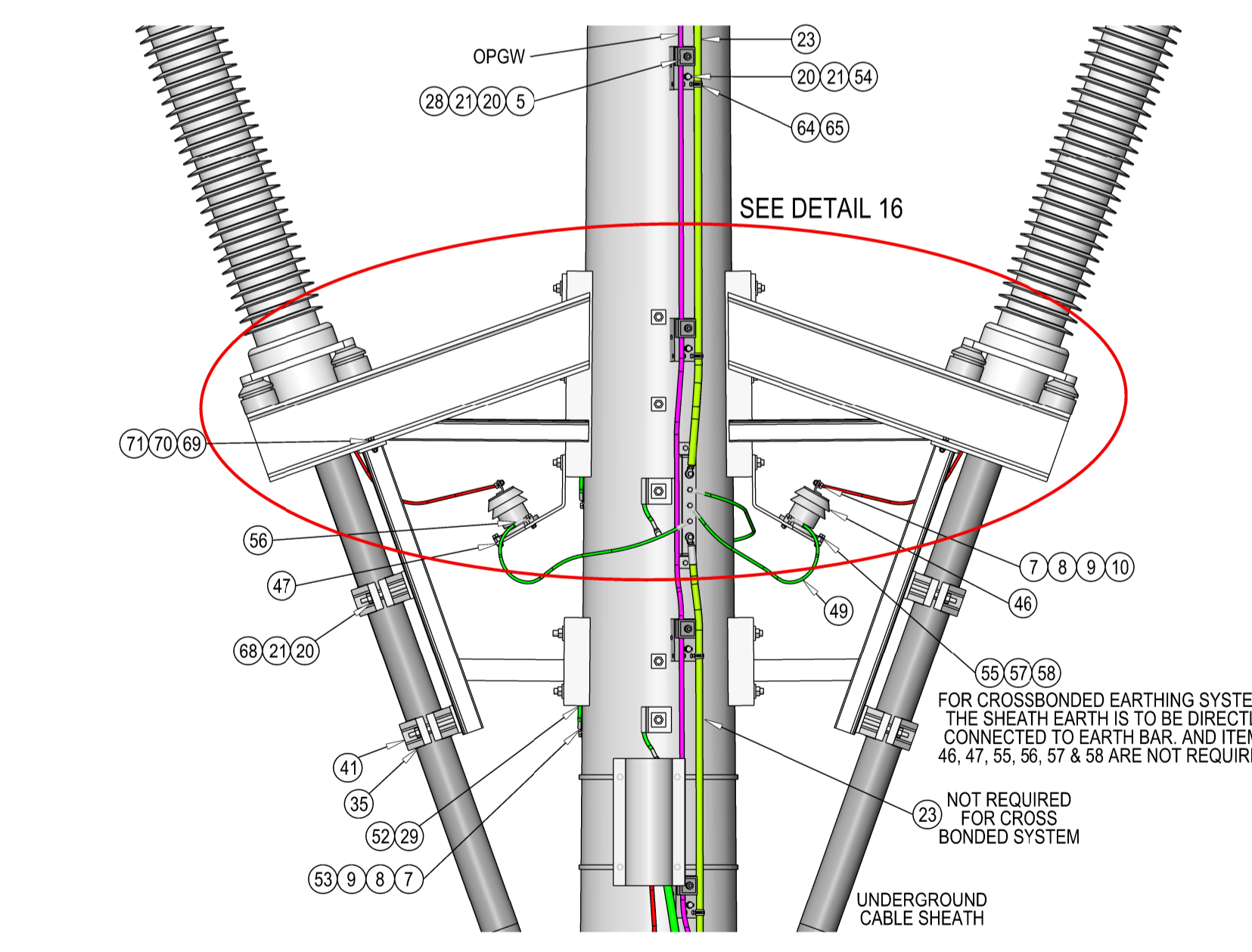
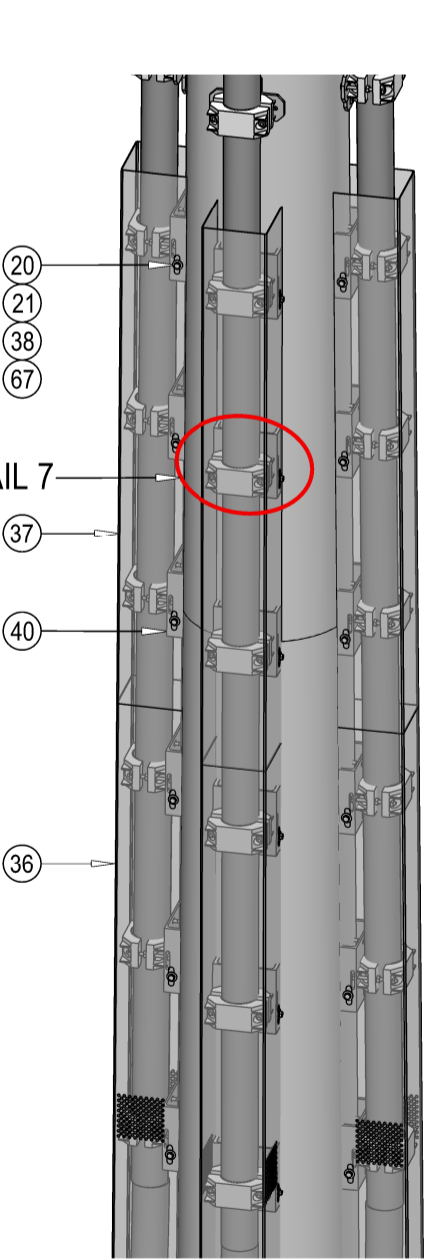
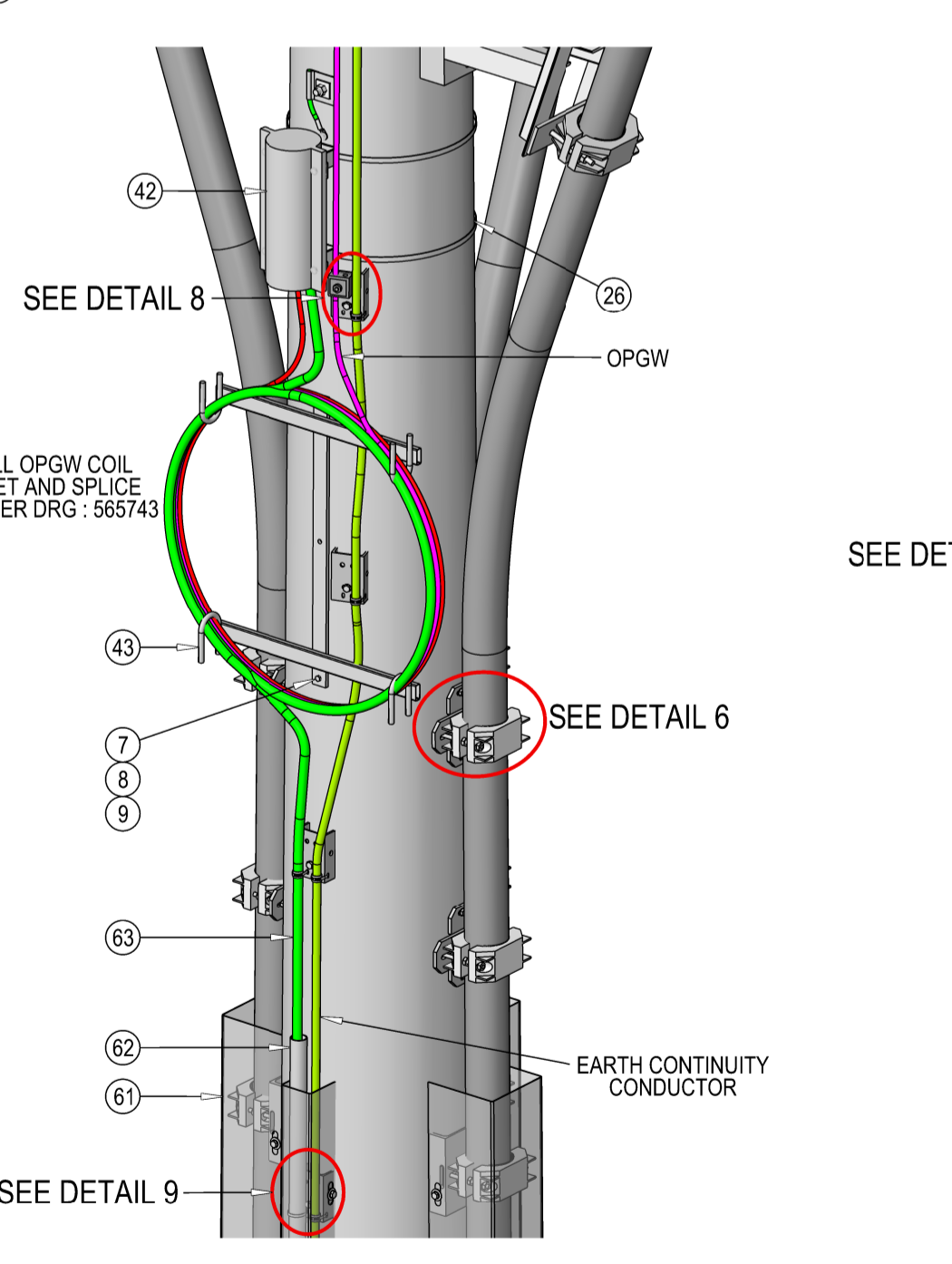
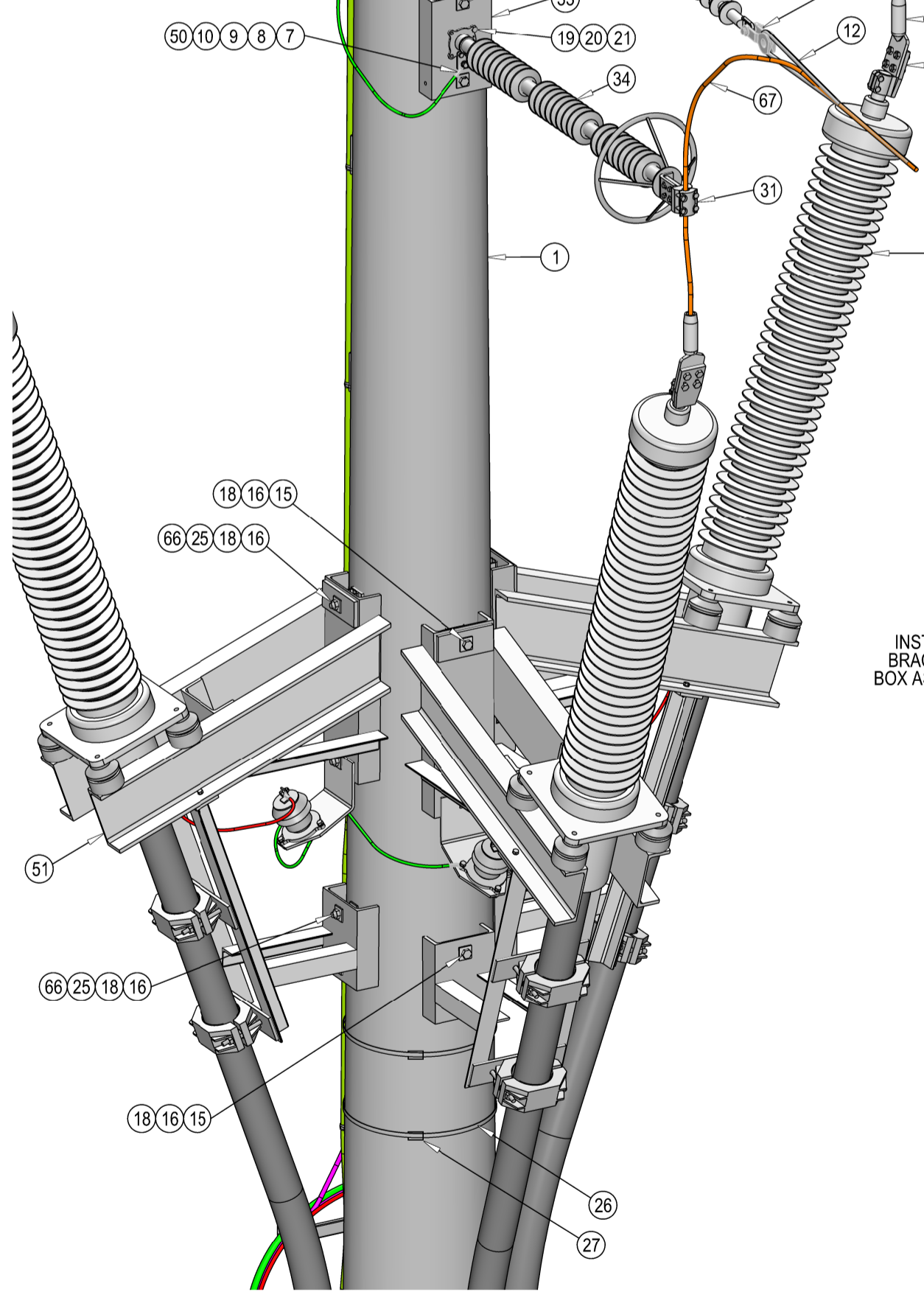
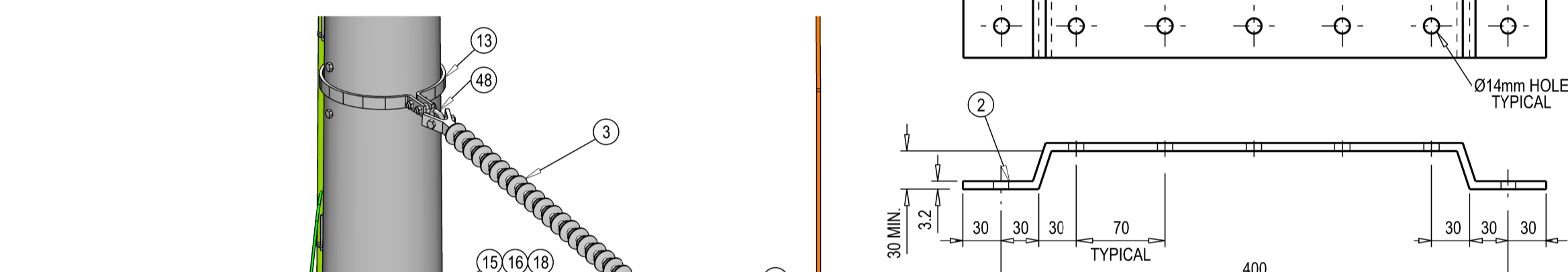


NOTES:

1. ALL EARTH CABLES THAT LEAVE THE UG/OH SITE ARE TO BE CLEARLY & PERMANENTLY LABELLED AT THE EARTH BAR CONNECTION WITH THE CABLE DESTINATION. SEE STAINLESS STEEL TAG DETAILS.
2. ALL COMPRESSION LUGS TO BE TERMINATED USING CORRECT HEXAGONAL DIES.
3. ALL DIMENSION ARE IN MILLIMETRES UNLESS NOTED OTHERWISE. DO NOT SCALE. DIMENSIONS TAKE PRECEDENCE.



THIS DRAWING IS TO BE READ IN CONJUNCTION WITH SHEET 1

ITEM	DESCRIPTION	DWG. No.	STOCK CODE	QTY
72	CLAMP - CONDUCTOR, ASSEMBLY		H12110	1
71	WASHER - SPRING, M16, GALVANISED			6
70	WASHER - FLAT, M16, GALVANISED	518081	177984	12
69	BOLT & NUT - M16 x 50mm, HEX., GALVANISED	515466	46524	6
68	NUT - M12, HEX., GALVANISED	515466	9118	A/R
67	BOLT - M12 x 30mm, HEX., GALVANISED	515466	46367	A/R
66	NUT - M20, HEX., GALVANISED	515466	175361	28
65	TIE - CABLE, 520 x 4.6mm, STAINLESS STEEL		182644	A/R
64	INLAY - NEOPRENE (CUT TO SUIT)			A/R
63	CONDUIT - CORRUGATED, WHITE, COMMUNICATIONS, PVC, Ø32mm			A/R
62	CONDUIT - RIGID, WHITE, COMMUNICATIONS, PVC, Ø50mm			A/R
61	COVER - EARTHING CABLE, UPPER (ITEM 2 ON MANUFACTURING DRAWING)	223073		1
60	COVER - EARTHING CABLE, LOWER (ITEM 1 ON MANUFACTURING DRAWING)	223073		1
59	BRACKET - CLAMP, EARTHING CABLE (ITEM 4 ON MANUFACTURING DRAWING)	223073		A/R
58	WASHER - SPRING, M10, GALVANISED			9
57	WASHER - FLAT, M10, GALVANISED	518081	177983	18
56	LUG - COMPRESSION, COPPER, M10 HOLE (TO SUIT 70mm ² CABLE)		73148	3
55	BOLT & NUT - M10 x 50mm, HEX., GALVANISED	515466	46284	9
54	BOLT - M12 x 50mm, HEX., GALVANISED	515466	46391	A/R
53	LUG - COMPRESSION, M12 HOLE (TO SUIT MERCURY, 7/4.5 AAC)	514053	H10257	8
52	CONDUCTOR - MERCURY, 7/4.5 AAC		H13433	A/R
51	BRACKET - 132kV, SEALING END & CABLE MOUNTING (345 x 345mm CENTRES)	248465		3
50	BRACKET - 132kV, SEALING END & CABLE MOUNTING (400 x 400mm CENTRES)	248466		A/R
49	LUG - COMPRESSION, COPPER, M12 HOLE (TO SUIT 70mm ² CABLE)		74831	13
48	CABLE - 70mm ² , Cu, PVC INSULATED, BLACK		60111	A/R
47	EYE - TONGUE, 160kN, A.S.1154.2		183889	3
46	BRACKET - MOUNTING, SHEATH VOLTAGE LIMITER	202896		3
45	LIMITER - SHEATH VOLTAGE, AK POWER TYPE TZSPB (REFER TO DESIGN FOR VOLTAGE RATING)			3
44	COVER - INSULATOR, UTILUX T-450C			2
43	CONNECTOR - 'C', Cu, UTILUX T-450			2
42	BRACKET - CABLE, COIL, FIBRE OPTIC			1
41	ENCLOSURE - SPLICE, COYOOTE (C/W STRAIN RELIEF & MOUNTING BRACKETS)			A/R
40	BRACKET - CLAMP, CABLE (FOR USE WITH CABLE COVER) (ITEM 5 ON MANUFACTURING DRAWING)	CABLE UPTO Ø80mm REFER DRG : 223074		18
39	BRACKET - CLAMP, CABLE (ITEM 4 ON MANUFACTURING DRAWING)	CABLE 80mm-Ø<130mm REFER DRG : 223075		A/R
38	WASHER - FLAT, STAINLESS STEEL (ITEM 3 ON MANUFACTURING DRAWING)	CABLE 130mm-Ø<160mm REFER DRG : 223076		48
37	COVER - CABLE, UPPER (ITEM 2 ON MANUFACTURING DRAWING)			3
36	COVER - CABLE, LOWER (ITEM 1 ON MANUFACTURING DRAWING)			A/R
35	INLAY - ELASTIC, id-Technik			3
34	ARRESTER - SURGE, 132kV, TYCO 3HSRCP108L1E27M5-22 (C/W LINE TERMINATION FOUR HOLE PAD)			3
33	BRACKET - ARRESTER, 132kV, SURGE	248467		3
32	TERMINAL - BOLTED RUN (4 x Ø14mm HOLES, 50 x 50mm SPACING) (TO SUIT SEALING END STUD)			3
31	PALM - TAP, BOLTED RUN, SINGLE CONDUCTOR (4 x Ø14mm HOLES, 50 x 50mm SPACING) (TO SUIT PHASE CONDUCTOR)			3
30	TERMINAL - COMPRESSION, 30° PALM (4 x Ø14mm HOLES, 50 x 50mm SPACING) (TO SUIT PHASE CONDUCTOR)			3
29	CLIP - OFFSET EARTHING (Ø22mm HOLE)	507734	H11708	8
28	CLAMP - DOWNLEAD CUSHION, FIBERLIGN (TO SUIT CONCRETE/STEEL POLE)			A/R
27	BUCKLE - STRAPPING, 19mm, STAINLESS STEEL		177722	2
26	STRAP - BAND, 19mm, STAINLESS STEEL		177721	A/R
25	ROD - M20, THREADED, GALVANISED (CUT TO REQUIRED LENGTH)			3
24	LUG - 300mm ² , COMPRESSION, COPPER (Ø12mm HOLE)		H20569	5
23	CABLE - 300mm ² , 1C, Cu, PVC INSULATED		184616	A/R
22	SEALING END - 132kV, SUDKABEL TYPE EHFVC 72.5/123/145/170			3
21	SEALING END - 132kV, NKT TYPE FEV 145-V SIZE 2			3
20	WASHER - SPRING, M12, GALVANISED	518082	H12047	A/R
19	WASHER - FLAT, M12, GALVANISED	518081	177982	A/R
18	BOLT & NUT - M12 x 50mm, HEX., GALVANISED	515466	46391	12
17	WASHER - SPRING, M20, GALVANISED	518082	175569	37
16	INSULATOR - 132kV, HORIZONTAL LINE POST (TRUNNION CLAMP END FITTING)		178280	1
15	WASHER - SQUARE, 50 x 50 x 6mm, GALVANISED (Ø22mm HOLE)	518081	H39265	46
14	BOLT & NUT - M20, HEX., GALVANISED (LENGTH TO SUIT POLE)	515465		17
13	DEADEND - TERMINATION ASSEMBLY, FIBERLIGN (TO SUIT CONDUCTOR)			1
12	BAND - POLE, 3 BOLT (TO SUIT POLE SIZE)	507741		4
11	DEADEND - PREFORMED (TO SUIT CONDUCTOR)	514098		3
10	CLEVIS - THIMBLE, 70kN, A.S.1154.2 (TO SUIT CONDUCTOR)	514132		3
9	NUT - M12, HEX., STAINLESS STEEL	515467	8987	24
8	WASHER - FLAT, M12, STAINLESS STEEL	518081	49429	64
7	WASHER - SPRING, M12, STAINLESS STEEL	518082	143859	41
6	SCREW - SET, M12 x 30mm, HEX., STAINLESS STEEL	515467	H38528	28
5	BOLT - M12 x 50mm, HEX., STAINLESS STEEL	515467	45195	12
4	BOLT - M12 x 75mm, HEX., GALVANISED	515466	46425	A/R
3	BOLT - M12, HEX., GALVANISED (LENGTH TO SUIT CABLE CLAMP)	515466		A/R
2	INSULATOR - LONGROD, 132kV, POLYMERIC, 120kN (EVEY-CLEVIS FITTINGS)		178275	3
1	FLAT BAR - 50.8 x 3.18mm - TINNED HD COPPER (SEE DETAIL 10)			2
	POLE - CONCRETE (AS REQUIRED)			1

CAD DRAWING
DO NOT MANUALLY AMEND
ELEMENTS

CHKD: ADAM BRADFORD
DWN: GARY HUGHES
DATE: 16/09/2011
CORRECTED DETAIL 14 AND DETAIL 15.

APPD by: LEIGH DUNKLEY

DWN: PATRICIA RIOS
CHKD: PHILLIP JONES
DATE: 18/05/2017
OPTIONS ADDED TO ITEMS 22 & 51.

APPD by: GLENN FORD

DWN: PATRICIA RIOS
CHKD: PHILLIP JONES
DATE: 26/09/2017
SEALING END BRACKETS CHANGED MATERIAL LIST & NOTES AMENDED. DETAIL 18 ADDED.

APPD by: GLENN FORD

OPGW SPLICE BOX & COILED CABLE BRACKET MOUNTING ARRANGEMENT 565743

ASSOCIATED DRAWINGS

NETWORK STANDARD

145 NEWCASTLE RD WALLSEND, NSW 2287

SCALE: NTS
DESIGNED: ADAM BRADFORD
DRAWN: GARY HUGHES
CHECKED: ADAM BRADFORD
APPROVED: GLENN FORD
DATE: 21/06/11

PROJECT NUMBER: STD

PROJ/TRAK NUMBER

STANDARD CONSTRUCTION
132kV TRANSMISSION LINE
UGOH TERMINATION
DETAILS

SIZE: A1
DRAWING No: 221816
SHEET: 02
AMD: 3